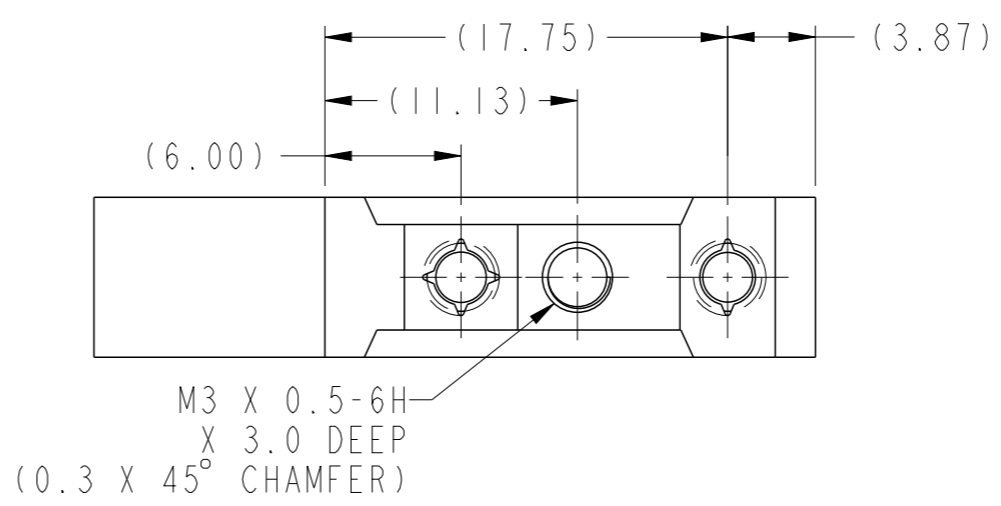
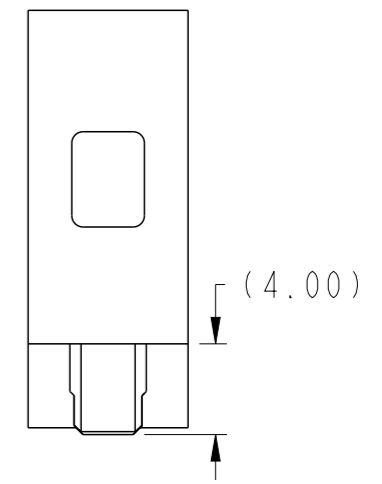
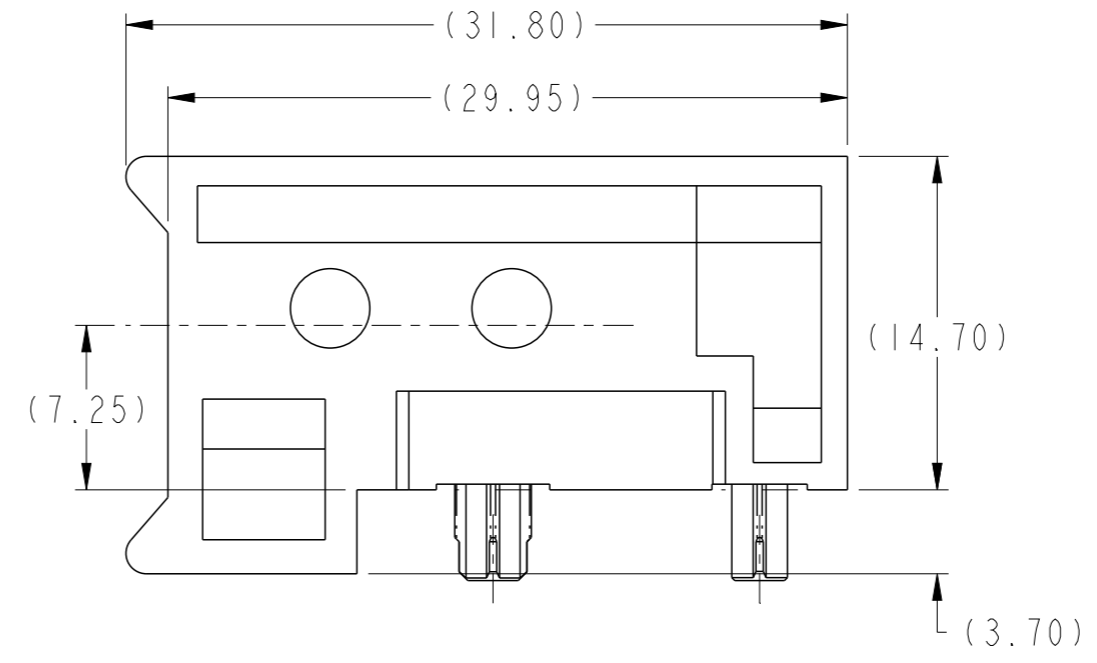
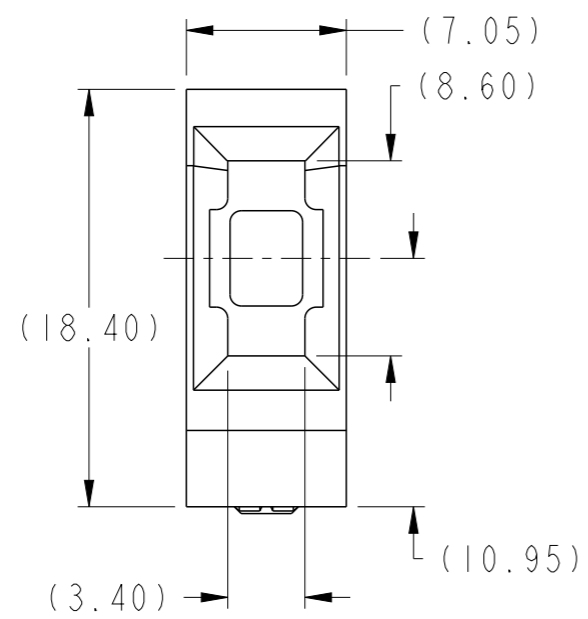


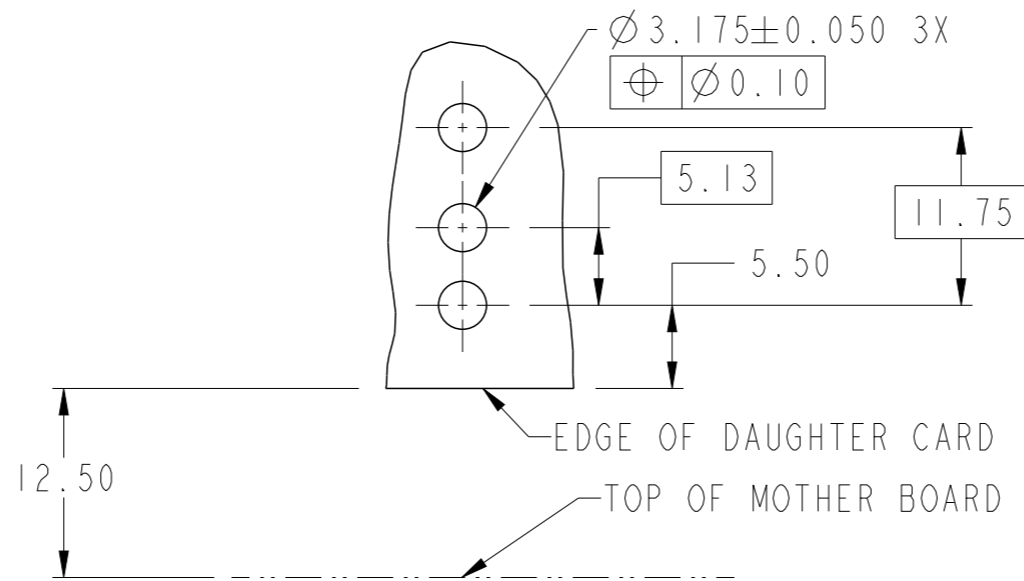
PRODUCT NUMBER
SEE TABLE, SHT 2



Amphenol FCI
© 2016 AFCI

spec ref		dr	Chen-Hong Tan	2005/08/18	projection	MM	size	A3	scale	3:1
tolerance std		eng	Terry Luo	2019/04/24			ecn no		ELX-DG-33324-1	
ASME Y14.5		chr	-	-			rel level		Released	
TOLERANCES UNLESS OTHERWISE SPECIFIED		appr	Heaven Cen	2019/04/25	product family		AirMax Accessories		rev	
surface	3.20 linear	Amphenol FCI		7.2mm GUIDE MODULE, RIGHT ANGLE		dwg no 10037909		F		
	0.X									±.3
	0.XX									±.10
	0.XXX	±.050	cat. no.		-		Product - Customer Drw		sheet 1 of 2	
ASME Y14.5	angular	0°	±2°	PDS: Rev :F		STATUS:Released		Printed: Apr 25, 2019		

PRODUCT NUMBER
10037909-101LF



SCALE 2:1

RECOMMENDED PCB LAYOUT NOTE 4

1. MATERIAL: ZINC ALLOY
2. FINISH: ZINC YELLOW CHROMATE
3. APPLICATION SPECIFICATION: GS-20-045
- ④ REFER TO CUSTOMER DRAWING 10035911 FOR INFORMATION REGARDING PBC LAYOUT OF POWER AND GUIDE MODULES RELATIVE TO SIGNAL MODULES
5. THIS PRODUCT MEETS EUROPEAN UNION DIRECTIVES AND OTHER COUNTRY REGULATIONS AS DESCRIBED IN GS-22-008.
6. PACKAGING MEETS GS-14-920 LEAD FREE LABELING SPECIFICATION.

spec ref		dr	Chen-Hong Tan	2005/08/18	projection	MM	size	A3	scale	2:1
tolerance std		eng	Terry Luo	2019/04/24			ecn no		ELX-DG-33324-1	
ASME Y14.5		chr	-	-			rel level		Released	
-		appr	Heaven Cen	2019/04/25			product family		AirMax Accessories	
surface	3.200 linear	TOLERANCES UNLESS OTHERWISE SPECIFIED		Amphenol FCI		7.2mm GUIDE MODULE, RIGHT ANGLE		dwg no	10037909	
		0.X	±.3					rev	F	
		0.XX	±.10							
		0.XXX	±.050							
ASME Y14.5	angular	0°	±2°							
cat. no.				-		Product - Customer Drw		sheet 2 of 2		