

MATERIALS AND FINISHES

BODY, OUTER CONDUCTOR: BRASS
PLATED TRI-M

COUPLING NUT, REAR BODY: BRASS
PLATED NICKEL

CONTACT PIN: BRASS
PLATED SILVER

CENTER CONDUCTOR: PHOSPHOR BRONZE
PLATED SILVER

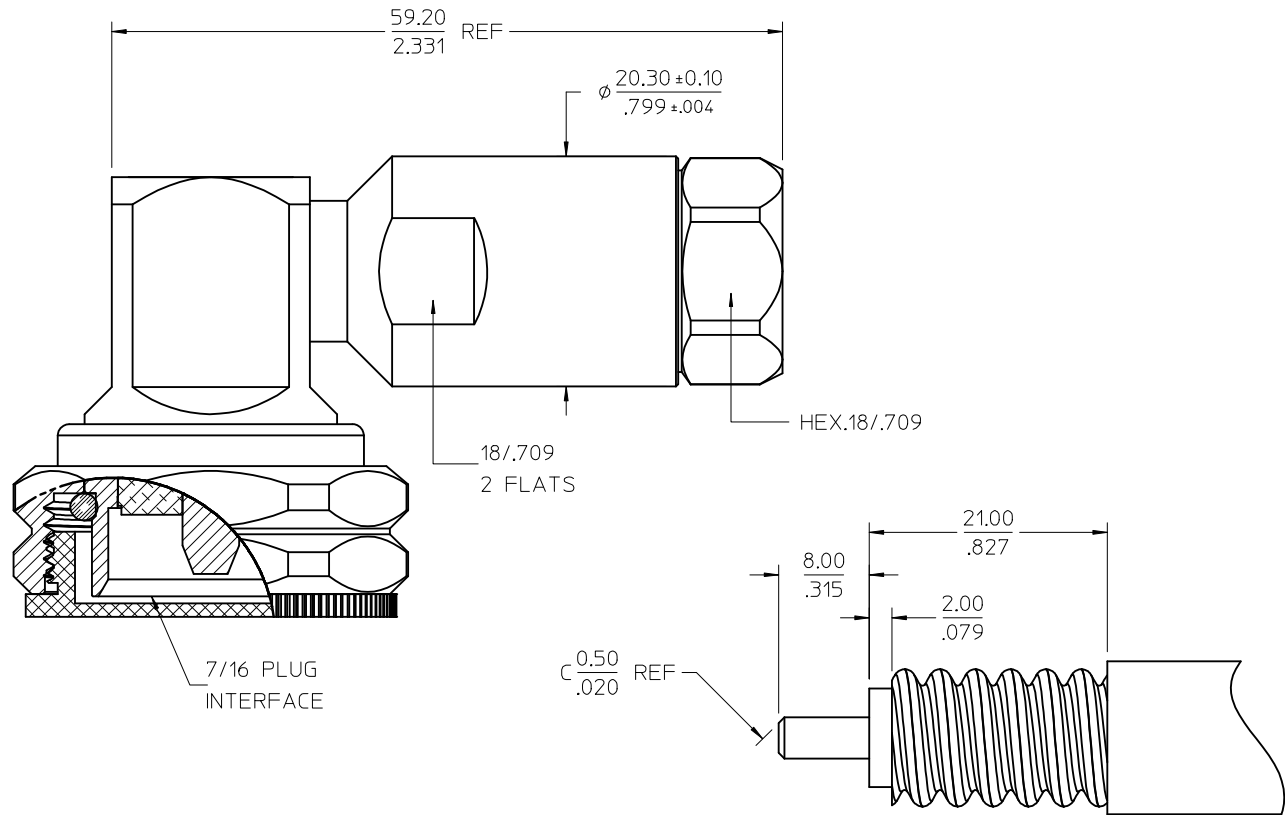
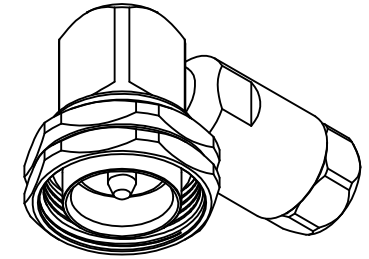
INSULATOR: TEFLON

O-RING: SILICONE RUBBER

DUST CAP: PE

PERFORMANCE REQUIREMENTS:

FREQUENCY RANGE: 0-3000MHz
IMPEDANCE: 50 OHM
INSULATION RESISTANCE: 5000M OHM
WITHSTAND VOLTAGE(AC): 2000V @0.5mA
VSWR: ≤1.10(0-2200MHz); ≤1.15(2200-3000MHz)
PIM3(2x20W): ≤-145dBc @1800MHZ



73134-0401	BOX
73134-0400	-----
PART NO.	PACKAGING

PS-89675-335	PRODUCT SPECIFICATION
IEC60169-4	INTERFACE
SPECIFICATION	DESCRIPTION

1/2 SUPERFLEXIBLE CABLE
RECOMMENDED STRIP DIMENSION

CHG: ADD PS. EC NO: URF2016-0361 DRWN: YHUANG11 2015/11/04 CHKD: APPR: MYE08 2015/11/06	DESCRIPTION REV: A1	QUALITY SYMBOLS ∇=0 ∇=0 ∇=0	GENERAL TOLERANCES (UNLESS SPECIFIED) mm INCH 4 PLACES ± --- ± --- 3 PLACES ± --- ± --- 2 PLACES ± --- ± --- 1 PLACE ± --- ± --- 0 PLACE ± --- ± --- ANGULAR ± 2°	DIMENSION STYLE MM/IN	SCALE DESIGN UNITS METRIC	THIRD ANGLE PROJECTION
		DRAWN BY YHUANG11	DATE 2013/07/22	TITLE 7/16 PLUG R/A 50 OHM, FOR 1/2SF CA		
		CHECKED BY MXU11	DATE 2013/07/22	APPROVED BY SRZHAO	DATE 2013/10/25	
		MATERIAL NO. SEE TABLE	DOCUMENT NO. SD-73134-040	SHEET NO. 1 OF 1		