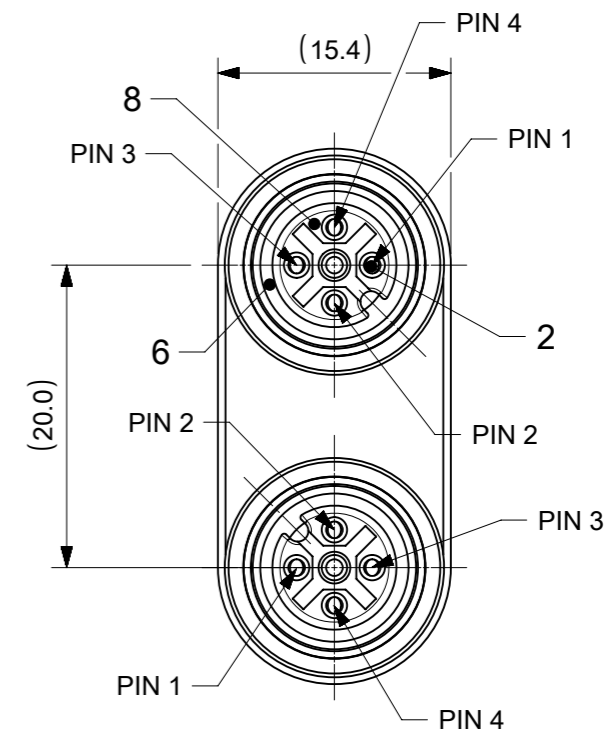
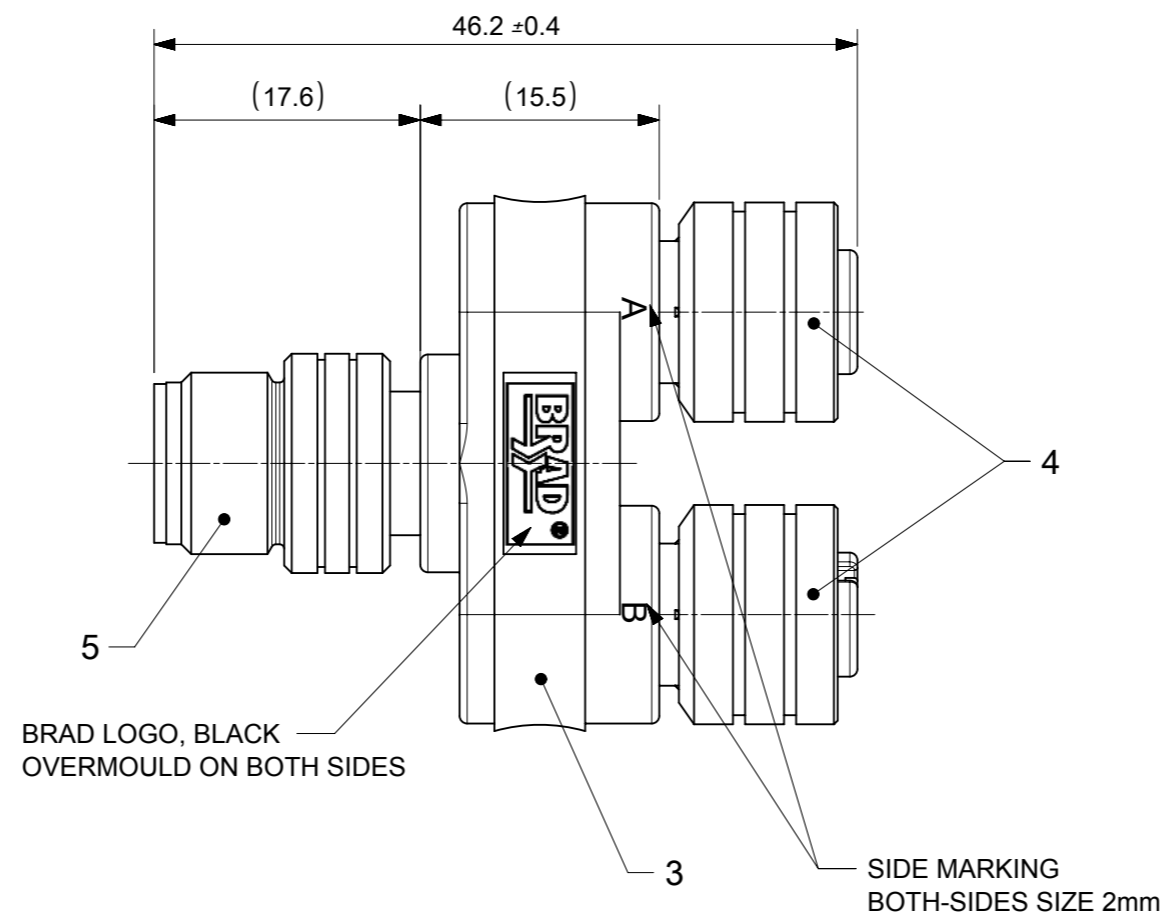


VIEW FROM THE FRONT SIDE



VIEW FROM THE FRONT SIDE

CONNECTOR SPECIFICATION :

VOLTAGE RATING : 250V AC/ 300V DC
 AMPERAGE RATING : MAX. 4 AMPS
 PROTECTION : IP67
 OPERATING TEMPERATURE : -25°C TO +90°C

BILL OF MATERIAL

8	2	INSERT M12 4P FEMALE	PUR	BLACK
7	1	INSERT M12 4P MALE	PUR	BLACK
6	2	GASKET 7.1X1.35	FPM	RED
5	1	COUPLING NUT M12 MALE	BRASS	NICKEL
4	2	COUPLING NUT M12 FEMALE	BRASS	NICKEL
3	-	OVERMOULD	PUR	BLACK
2	8	CONTACTS M12 FEMALE	BRASS	SELECTIVE GOLD
1	4	CONTACTS M12 MALE	COPPER	SELECTIVE GOLD
ITEM	QTY.	DESCRIPTION	MATERIAL	FINISH/COLOR

PRINTING SCHEMATIC
NOT TO SCALE

Part Number: 1200680294

Old Material Number: 0812-04EMF-00000

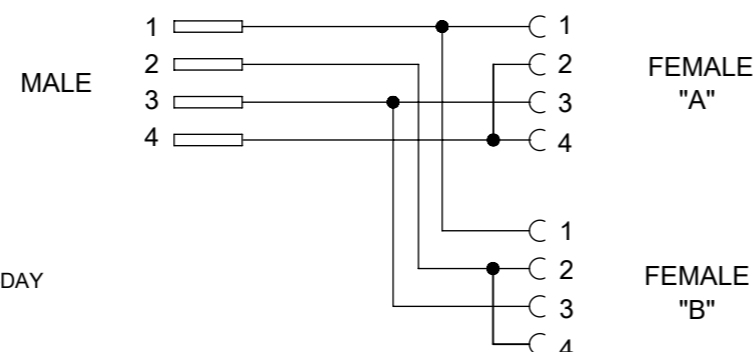
Description: SPL YS M12 4P AC MA FE FE

Quantity: 1

WHERE:
YYYY-YEAR, MM-MONTH, DD-DAY

Date: YYYY/MM/DD
Country: Poland

WIRING DIAGRAM



SYMBOLS	THIS DRAWING CONTAINS INFORMATION THAT IS PROPRIETARY TO MOLEX ELECTRONIC TECHNOLOGIES, LLC AND SHOULD NOT BE USED WITHOUT WRITTEN PERMISSION	SCALE	CURRENT REV DESC: REDRAWN IN NX	molex		
▽ = 0	DIMENSION UNITS	mm	2:1	SPL YS M12 4P AC MA		
▽ = 0	GENERAL TOLERANCES (UNLESS SPECIFIED)			PRODUCT CUSTOMER DRAWING		
▽ = 0	ANGULAR TOL	± 1.0°	EC NO: 608988	DOCUMENT NUMBER	DOC TYPE	DOC PART
▽ = 0	4 PLACES	±	DRWN: SSM 2018/12/11	1200680294	PSD	000
▽ = 0	3 PLACES	±	CHK'D: DSTACHOWIAK 2018/12/12			
▽ = 0	2 PLACES	± 0.05	APPR: DSTACHOWIAK 2018/12/12			
▽ = 0	1 PLACE	± 0.3	INITIAL REVISION:			
▽ = 0	0 PLACES	± 0.5	DRWN: SSM 2018/11/27			
■ = 0	DRAFT WHERE APPLICABLE MUST REMAIN WITHIN DIMENSIONS		APPR: RSILLER 2018/11/29			
▽ = 0	THIRD ANGLE PROJECTION	DRAWING	SERIES	MATERIAL NUMBER	CUSTOMER	SHEET NUMBER
		A3-SIZE	120068	1200680294	GENERAL MARKET	1 OF 1