

XS5A1T4157

Low-ohmic single-pole double-throw analog switch

Rev. 2 — 9 February 2022

Product data sheet

1. General description

The XS5A1T4157 is a low-ohmic single-pole double-throw analog switch suitable for use as an analog or digital 2:1 multiplexer/demultiplexer. It has a digital select input (S), two inputs/outputs (Y0 and Y1) and a common input/output (Z).

The XS5A1T4157 passes analog and digital voltages that may vary across the full voltage supply range (GND to V_{CC}).

2. Features and benefits

- Supply voltage range from $V_{CC} = 4.5\text{ V}$ to 5.5 V
- Very low ON resistance: $4\ \Omega$ (typical) at $V_{CC} = 5\text{ V}$
- Switch inputs voltage range: $V_{SW} = \text{GND to } V_{CC}$
- Control input voltage range: $V_{I(S)} = \text{GND to } V_{CC}$
- Latch-up performance exceeds 200 mA per JESD 78 Class II level A
- ESD protection:
 - HBM: ANSI/ESDA/Jedec JS-001 Class 2 exceeds 2 kV
 - CDM: ANSI/ESDA/Jedec JS-002 Class C3 exceeds 1 kV
- Specified from $-40\text{ }^\circ\text{C}$ to $+85\text{ }^\circ\text{C}$ and $-40\text{ }^\circ\text{C}$ to $+125\text{ }^\circ\text{C}$

3. Ordering information

Table 1. Ordering information

Type number	Package			
	Temperature range	Name	Description	Version
XS5A1T4157GW	$-40\text{ }^\circ\text{C}$ to $+125\text{ }^\circ\text{C}$	TSSOP6	plastic thin shrink small outline package; 6 leads; body width 1.25 mm	SOT363-2

4. Marking

Table 2. Marking codes

Type number	Marking code ^[1]
XS5A1T4157GW	zb

[1] The pin 1 indicator is located on the lower left corner of the device, below the marking code.

5. Functional diagram

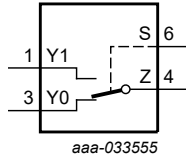


Fig. 1. Logic symbol

6. Pinning information

6.1. Pinning

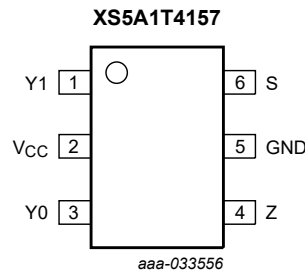


Fig. 2. Pin configuration SOT363-2 (TSSOP6)

6.2. Pin description

Table 3. Pin description

Symbol	Pin	Description
Y1	1	independent input or output
V _{CC}	2	supply voltage
Y0	3	independent input or output
Z	4	common output or input
GND	5	ground (0 V)
S	6	select input

7. Functional description

Table 4. Function table

H = HIGH voltage level; L = LOW voltage level.

Input	Channel on
S	
L	Y0
H	Y1

8. Limiting values

Table 5. Limiting values

In accordance with the Absolute Maximum Rating System (IEC 60134). Voltages are referenced to GND (ground = 0 V).

Symbol	Parameter	Conditions	Min	Max	Unit
V_{CC}	supply voltage		-0.5	+6.5	V
V_I	input voltage	S input [1]	-0.5	+6.5	V
I_{IK}	input clamping current	S input; $V_I < -0.5$ V	-50	-	mA
I_{SK}	switch clamping current	Z, Y0 and Y1 inputs/outputs; $V_{SW} < -0.5$ V or $V_{SW} > V_{CC} + 0.5$ V	-	± 50	mA
V_{SW}	switch voltage	Z, Y0 and Y1 inputs/outputs [2]	-0.5	$V_{CC} + 0.5$	V
I_{SW}	switch current	Z, Y0 and Y1 inputs/outputs; -0.5 V $< V_{SW} < V_{CC} + 0.5$ V [3]	-	± 128	mA
$T_{J(max)}$	maximum junction temperature		-	+150	°C
T_{stg}	storage temperature		-65	+150	°C
P_{tot}	total power dissipation	$T_{amb} = -40$ °C to +125 °C [4]	-	250	mW

[1] The minimum input voltage rating may be exceeded if the input current rating is observed.

[2] The minimum and maximum switch voltage ratings may be exceeded if the switch clamping current rating is observed.

[3] Continuous current sustained maximum of 2 years.

[4] For SOT363-2 (TSSOP6) package: P_{tot} derates linearly with 3.7 mW/K above 83 °C.

9. Recommended operating conditions

Table 6. Recommended operating conditions

Symbol	Parameter	Conditions	Min	Max	Unit
V_{CC}	supply voltage		4.5	5.5	V
V_I	input voltage	S input	0	5.5	V
V_{SW}	switch voltage	Z, Y0 and Y1 inputs/outputs	0	V_{CC}	V
I_{SW}	switch current	Z, Y0 and Y1 inputs/outputs; -0.5 V $< V_{SW} < V_{CC} + 0.5$ V	-	± 64	mA
T_{amb}	ambient temperature		-40	+125	°C
$\Delta t/\Delta V$	input transition rise and fall rate	S input	-	100	ns/V

10. Static characteristics

Table 7. Static characteristics

At recommended operating conditions; voltages are referenced to GND (ground 0 V).

Symbol	Parameter	Conditions	T _{amb} = -40 °C to +125 °C			Unit
			Min	Typ[1]	Max	
V _{IH}	HIGH-level input voltage	S input; V _{CC} = 4.5 V to 5.5 V	1.4	-	-	V
V _{IL}	LOW-level input voltage	S input; V _{CC} = 4.5 V to 5.5 V	-	-	0.3	V
I _I	input leakage current	S input; V _{I(S)} = 5.5 V	-50	0.2	50	nA
I _{S(OFF)}	OFF-state leakage current	V _{I(S)} = V _{IL} or V _{IH} ; V _I = 1.5 V or 4.5 V; V _O = 4.5 V or 1.5 V; V _{CC} = 5.0 V; see Fig. 3	-320	±0.02	320	nA
I _{S(ON)}	ON-state leakage current	V _{I(S)} = V _{IL} or V _{IH} ; V _I = V _O = 1 V or 4.5 V; V _{CC} = 5.0 V; see Fig. 4	-320	±0.02	320	nA
I _{CC}	supply current	V _{I(S)} = GND or V _{CC} ; V _{SW} = GND or V _{CC} ; V _{CC} = 5.0 V	-	0.6	8000	nA
		V _{I(S)} = 1.8 V; V _{SW} = GND or V _{CC} ; V _{CC} = 5.0 V; see Fig. 5	-	90	-	µA
C _I	input capacitance	S input; V _{CC} = 5.0 V	-	2	-	pF
C _{S(OFF)}	OFF-state capacitance	Y0, Y1 input/output; V _{CC} = 5.0 V; see Fig. 6	-	11	-	pF
C _{S(ON)}	ON-state capacitance	Z input/output; V _{CC} = 5.0 V; see Fig. 7	-	35	-	pF

[1] Typical values are measured at T_{amb} = 25 °C.

10.1. Test circuits and graphs

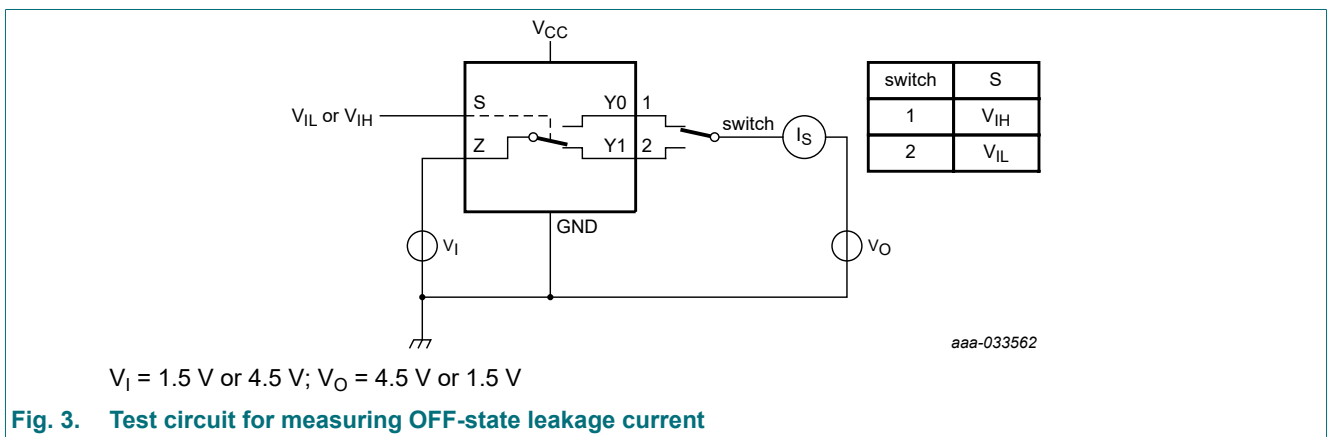
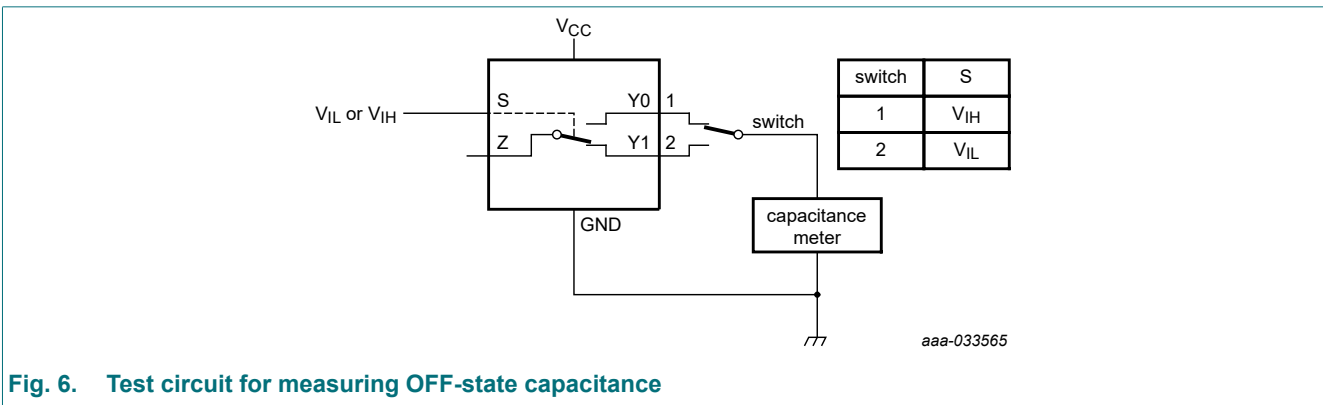
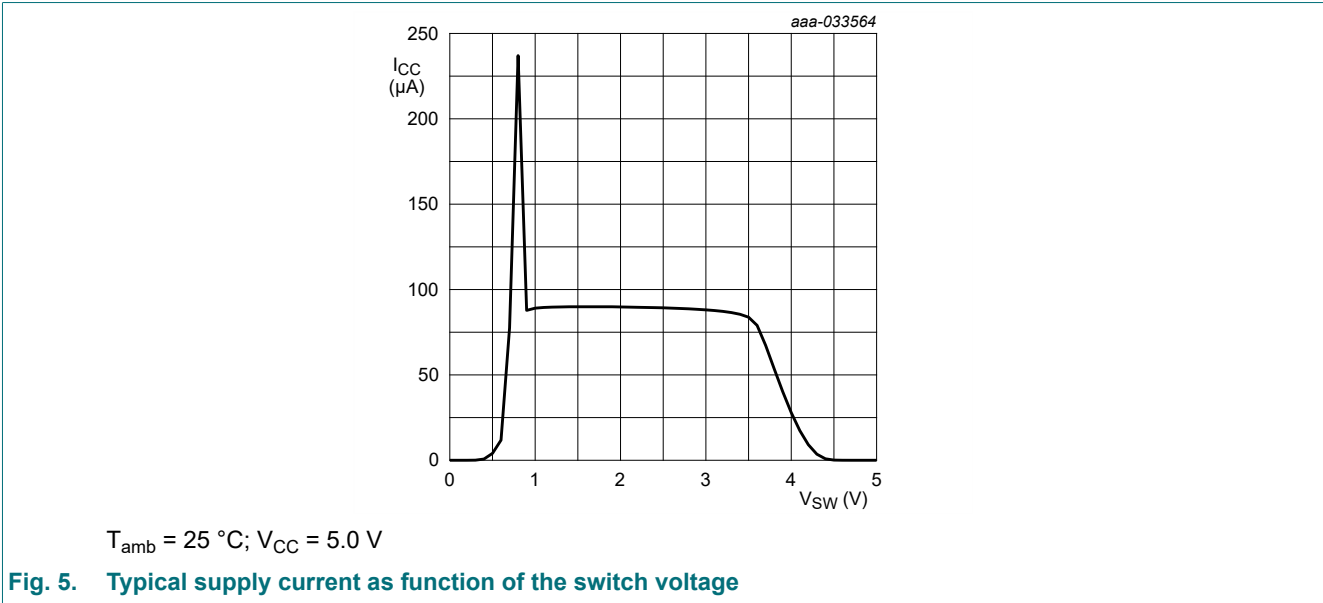
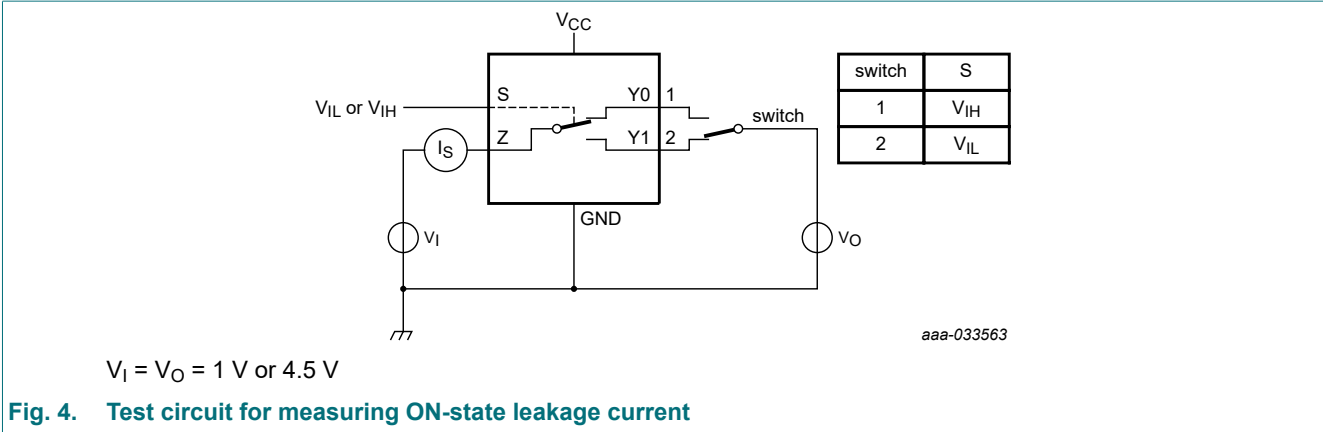


Fig. 3. Test circuit for measuring OFF-state leakage current



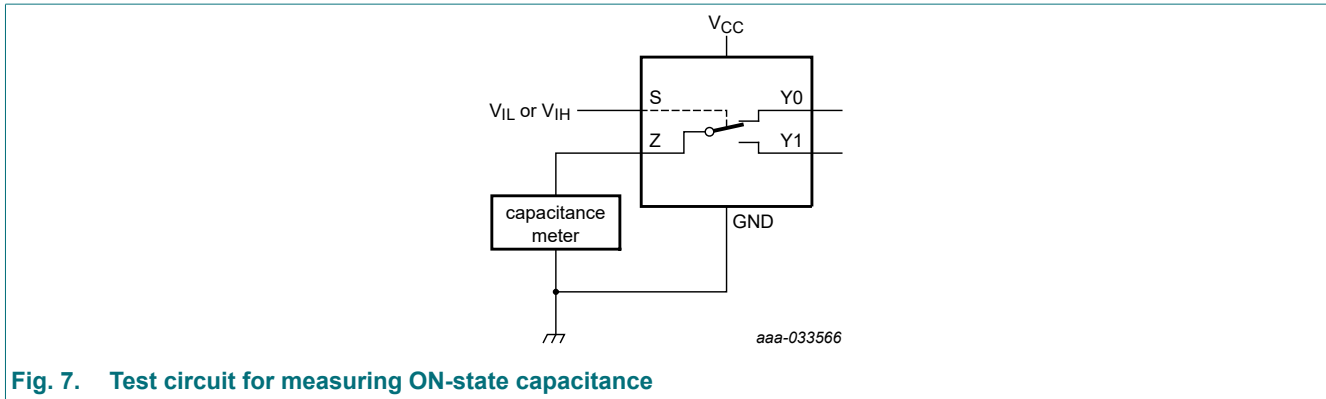


Fig. 7. Test circuit for measuring ON-state capacitance

10.2. ON resistance

Table 8. ON resistance

At recommended operating conditions; voltages are referenced to GND (ground 0 V);
For test circuit see Fig. 8; for graphs see Fig. 9 and Fig. 10.

Symbol	Parameter	Conditions	T _{amb} = -40 °C to +125 °C			Unit
			Min	Typ[1]	Max	
R _{ON(peak)}	ON resistance (peak)	V _{I(S)} = V _{IL} or V _{IH} ; V _{I(Z)} = GND to V _{CC} ; V _{CC} = 4.5 V to 5.5 V [2]				
		I _{SW} = 10 mA	2.2	4.0	7.5	Ω
		I _{SW} = 32 mA	2.2	4.0	7.7	Ω
		I _{SW} = 64 mA	2.2	4.0	7.7	Ω
ΔR _{ON}	ON resistance mismatch between channels	I _{SW} = 64 mA; V _{I(Z)} = GND to V _{CC} ; V _{CC} = 4.5 V to 5.0 V [2]	-	90	-	mΩ
R _{ON(flat)}	ON resistance (flatness)	V _{I(S)} = V _{IL} or V _{IH} ; V _{I(Z)} = GND to V _{CC} ; V _{CC} = 4.5 V to 5.0 V [2] [3]				
		I _{SW} = 10 mA	0.2	0.8	3	Ω
		I _{SW} = 32 mA	0.2	0.8	3	Ω
		I _{SW} = 64 mA	0.2	0.9	3	Ω

- [1] Typical values are measured at T_{amb} = 25 °C.
- [2] Measured by the voltage drop between Z and Yn pins at the indicated current through the switch. ON resistance is determined by the lower of the voltages on the two (Z or Yn pins).
- [3] Flatness is defined as the difference between the maximum and minimum value of ON resistance over the specified range of conditions.

10.3. ON resistance test circuit and graphs

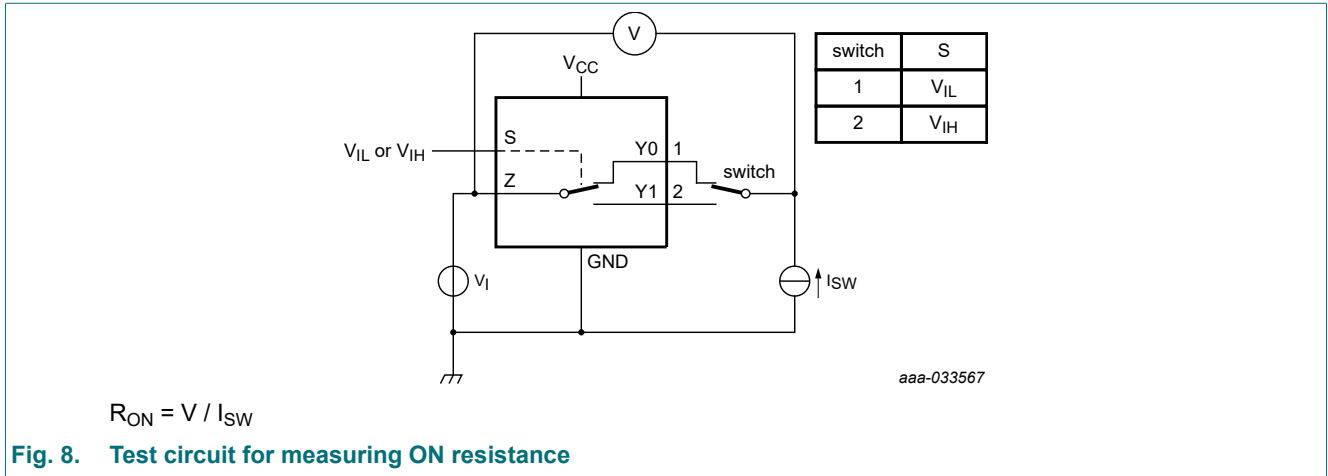


Fig. 8. Test circuit for measuring ON resistance

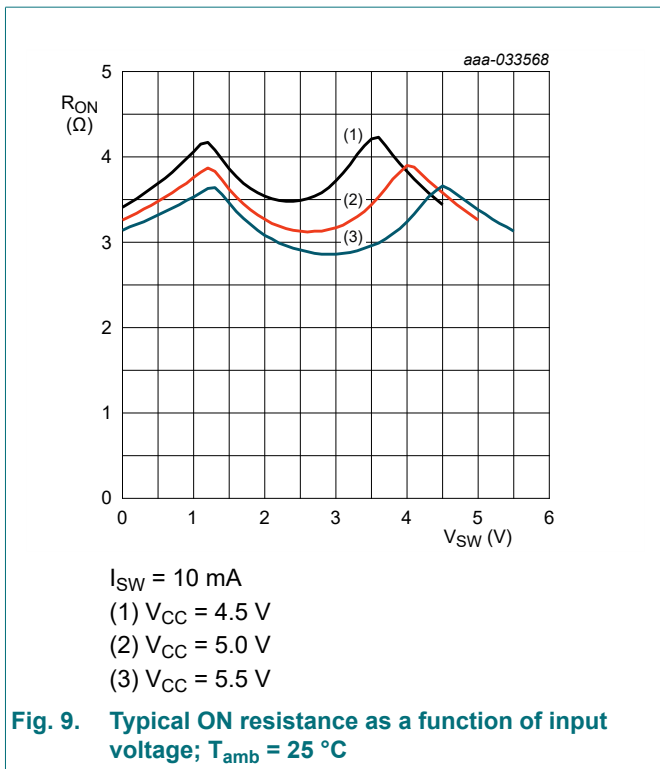


Fig. 9. Typical ON resistance as a function of input voltage; $T_{amb} = 25 \text{ }^\circ\text{C}$

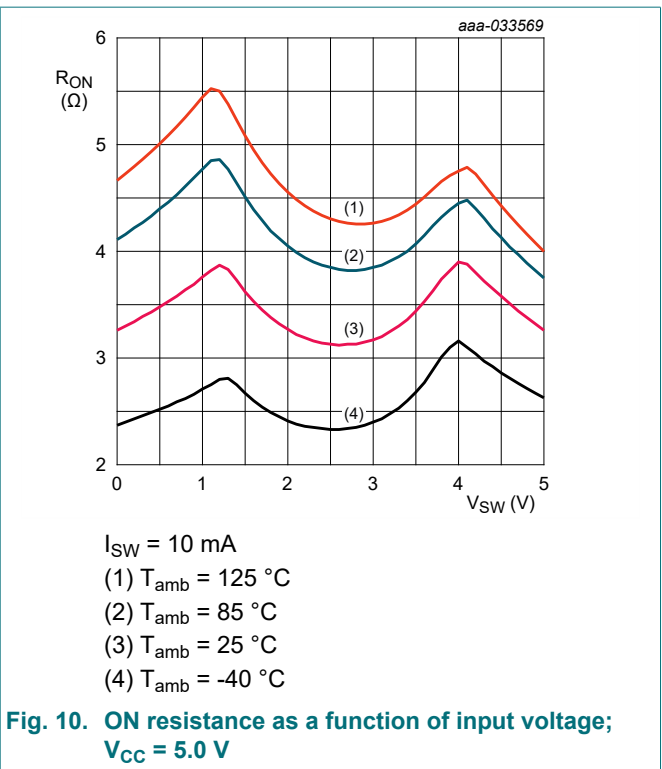


Fig. 10. ON resistance as a function of input voltage; $V_{CC} = 5.0 \text{ V}$

11. Dynamic characteristics

Table 9. Dynamic characteristics

At recommended operating conditions; voltages are referenced to GND (ground = 0 V).

Symbol	Parameter	Conditions	T _{amb} = -40 °C to +125 °C			Unit
			Min	Typ[1]	Max	
t _{pd}	propagation delay	Z to Y _n or Y _n to Z; see Fig. 11 and Fig. 13; V _{CC} = 4.5 V to 5.5 V	-	0.4	1.0	ns
t _{TRAN}	transition time between channels	S to Z or Y _n ; see Fig. 12 and Fig. 14; V _{CC} = 4.5 V to 5.5 V	10	23	40	ns
t _{b-m}	break-before-make time	C _L = 15 pF; R _L = 200 Ω; see Fig. 15; V _{CC} = 4.5 V to 5.5 V	1	7.5	17	ns

[1] Typical values are measured at T_{amb} = 25 °C.

[2] t_{pd} is the same as t_{PLH} and t_{PHL}

11.1. Waveforms and test circuits

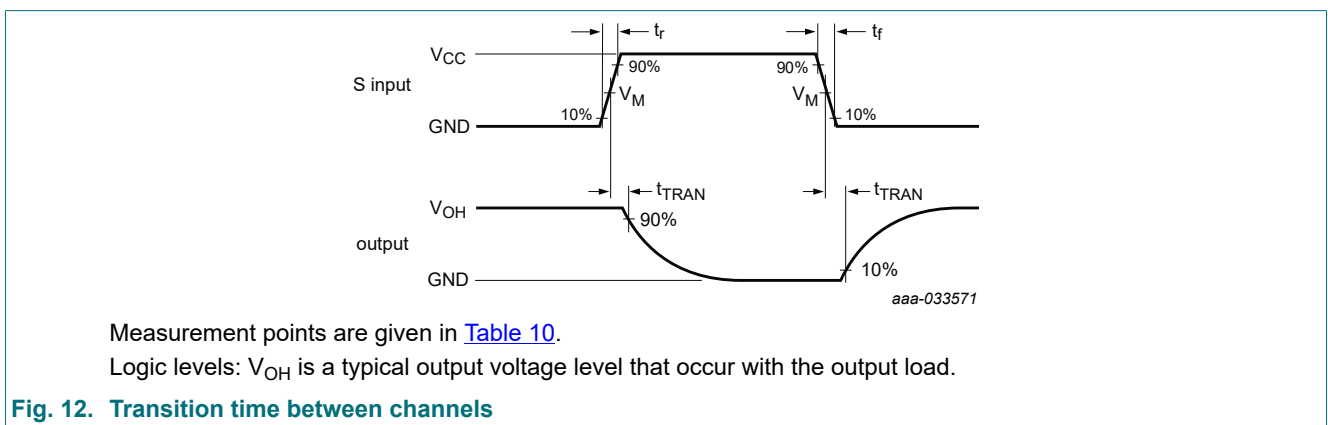
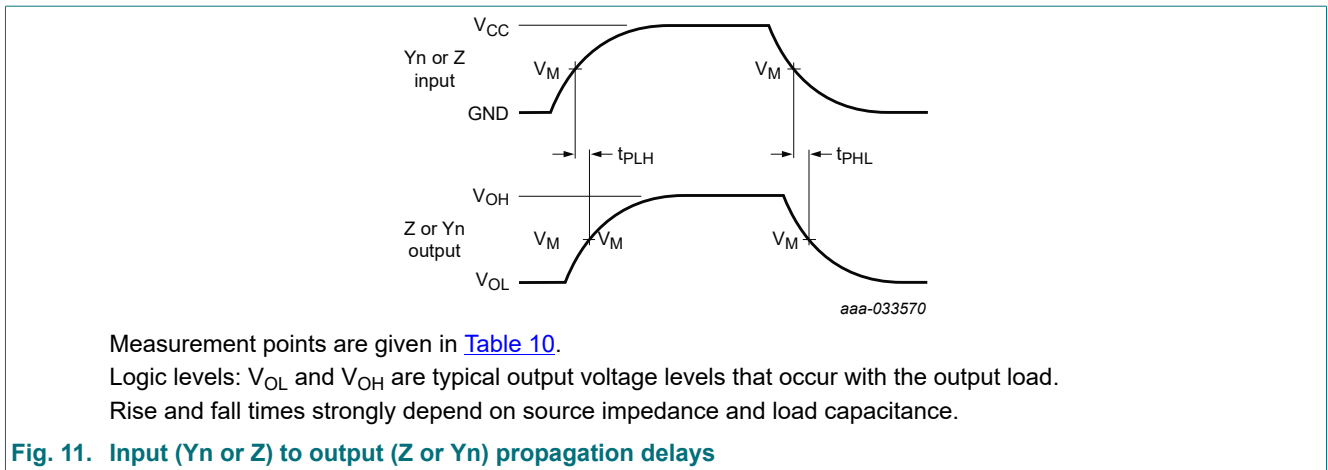
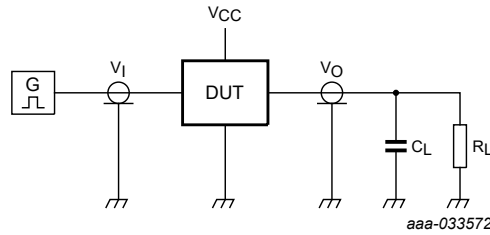


Table 10. Measurement points

Supply voltage	Input	Output
V _{CC}	V _M	V _M
GND to V _{CC}	50%	50%



Test data is given in [Table 11](#).

All input pulses are supplied by generators having the following characteristics:

PRR ≤ 10 MHz; $Z_O = 50 \Omega$; $t_r, t_f = 2 \text{ ns}$.

Definitions test circuit:

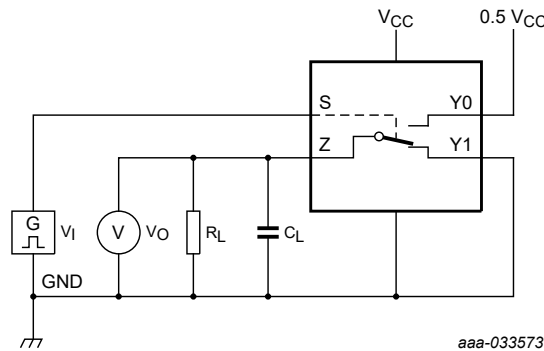
C_L = Load capacitance (including jig and probe capacitance).

R_L = Load resistance.

Fig. 13. Test circuit for measuring propagation delay times

Table 11. Test data

Load	
C_L	R_L
100 pF	1 MΩ



Test data is given in [Table 12](#).

All input pulses are supplied by generators having the following characteristics:

PRR ≤ 10 MHz; $Z_O = 50 \Omega$.

Definitions test circuit:

C_L = Load capacitance (including jig and probe capacitance).

R_L = Load resistance.

Fig. 14. Test circuit for measuring transition times between channels

Table 12. Test data

Input S	Load	
t_r, t_f	C_L	R_L
≤ 2 ns	15 pF	1 MΩ

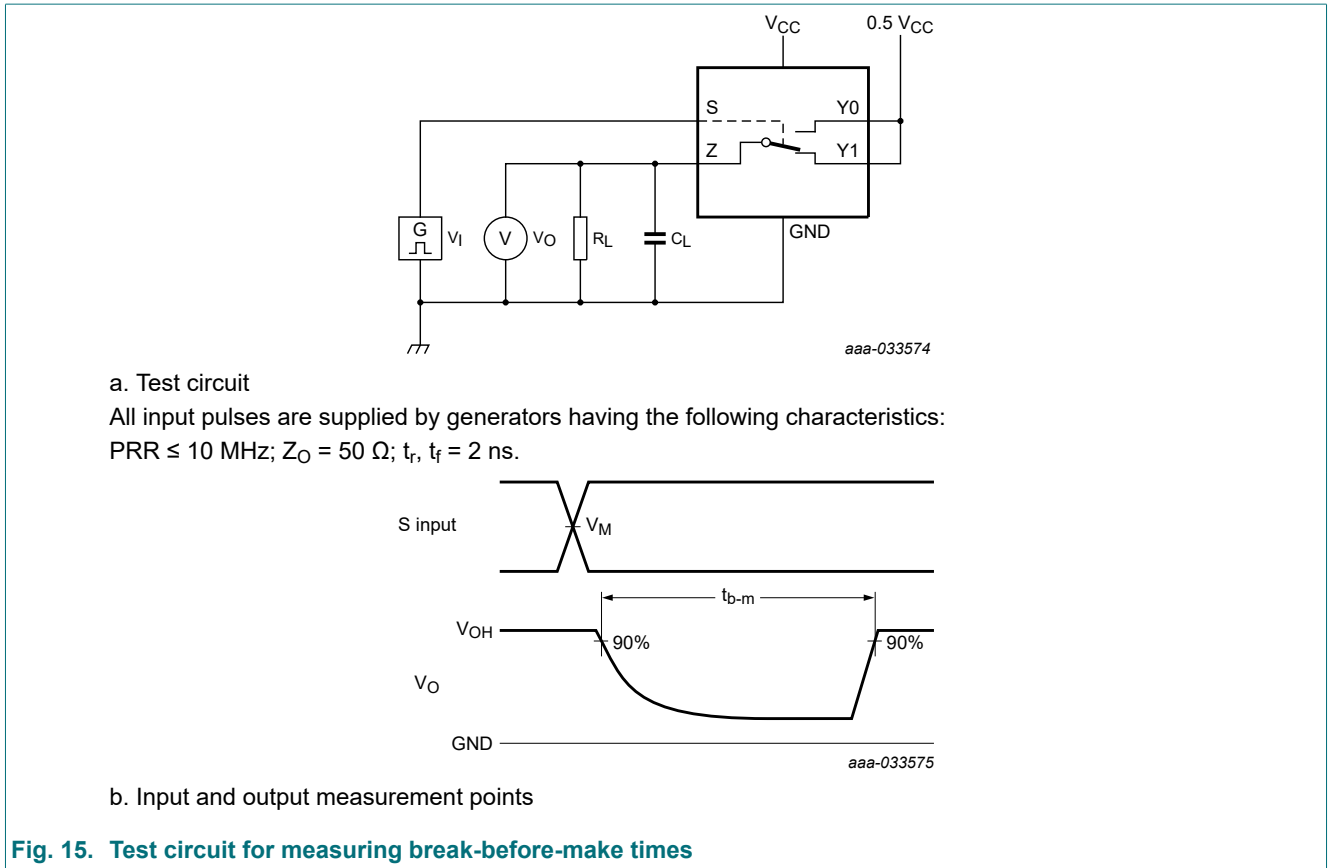


Fig. 15. Test circuit for measuring break-before-make times

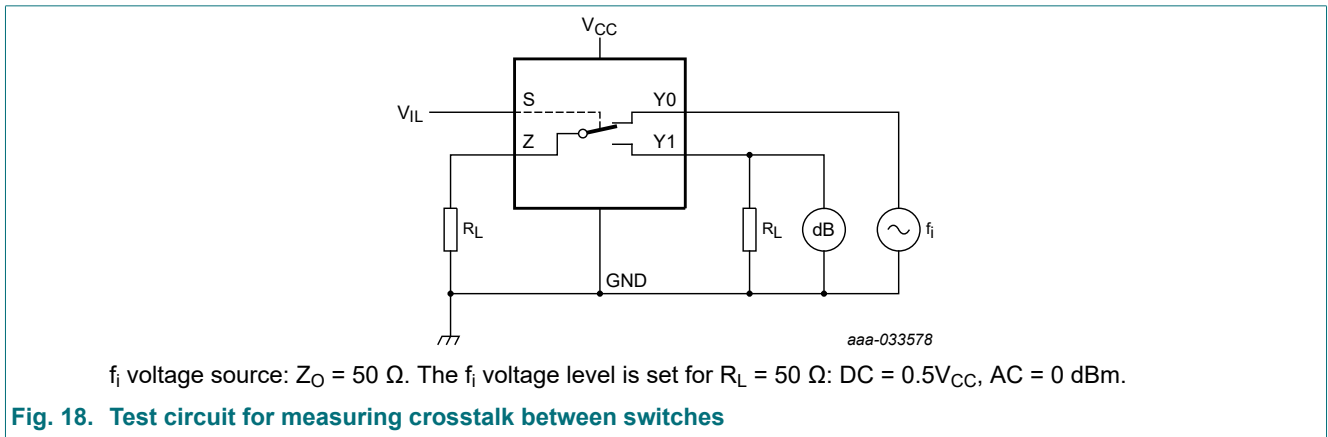
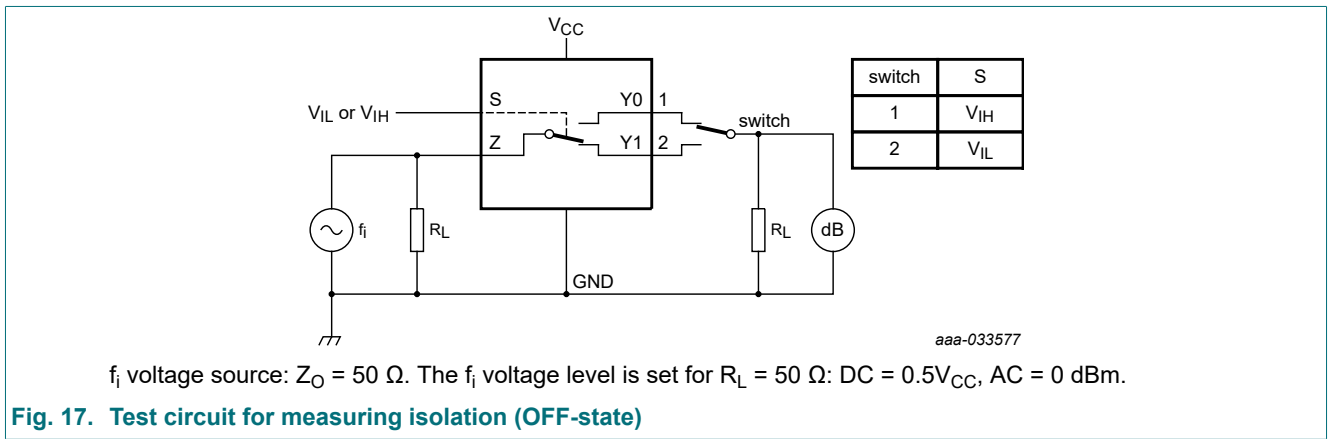
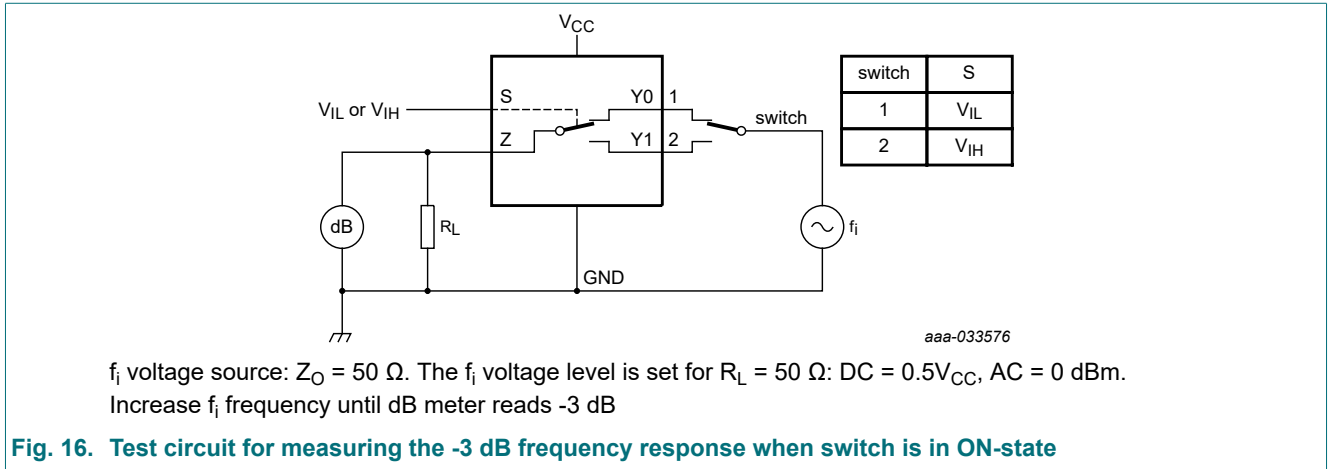
11.2. Additional dynamic characteristics

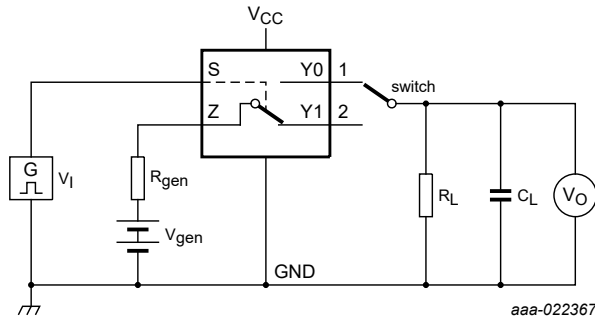
Table 13. Additional dynamic characteristics

At recommended operating conditions; voltages are referenced to GND (ground = 0 V).

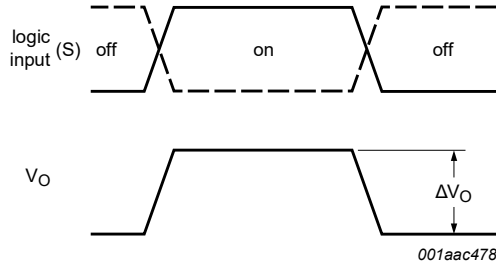
Symbol	Parameter	Conditions	$T_{amb} = 25 \text{ }^\circ\text{C}$			
			Min	Typ	Max	Unit
$f_{(-3\text{dB})}$	-3 dB frequency response	$R_L = 50 \Omega$; see Fig. 16; $V_{CC} = 5.0 \text{ V}$	-	190	-	MHz
α_{iso}	isolation (OFF-state)	$R_L = 50 \Omega$; $f_i = 10 \text{ MHz}$; see Fig. 17; $V_{CC} = 5.0 \text{ V}$	-	-56	-	dB
Xtalk	crosstalk	between switches; $R_L = 50 \Omega$; $f_i = 1 \text{ MHz}$; $V_{CC} = 5.0 \text{ V}$; see Fig. 18	-	-76	-	dB
Q_{inj}	charge injection	$C_L = 1 \text{ nF}$; $V_{gen} = 0.5V_{CC}$; $R_{gen} = 0 \Omega$; $f_i = 1 \text{ MHz}$; $R_L = 1 \text{ M}\Omega$; $V_{CC} = 5.0 \text{ V}$; see Fig. 19	-	4.5	-	pC

11.3. Test circuits





a. Test circuit



b. Input and output pulse definitions

Definitions for test circuit:

$$Q_{inj} = \Delta V_O \times C_L;$$

ΔV_O = output voltage variation;

R_{gen} = generator resistance;

V_{gen} = generator voltage.

Fig. 19. Test circuit for measuring charge injection

12. Package outline

TSSOP6: plastic thin shrink small outline package; 6 leads; body width 1.25 mm

SOT363-2

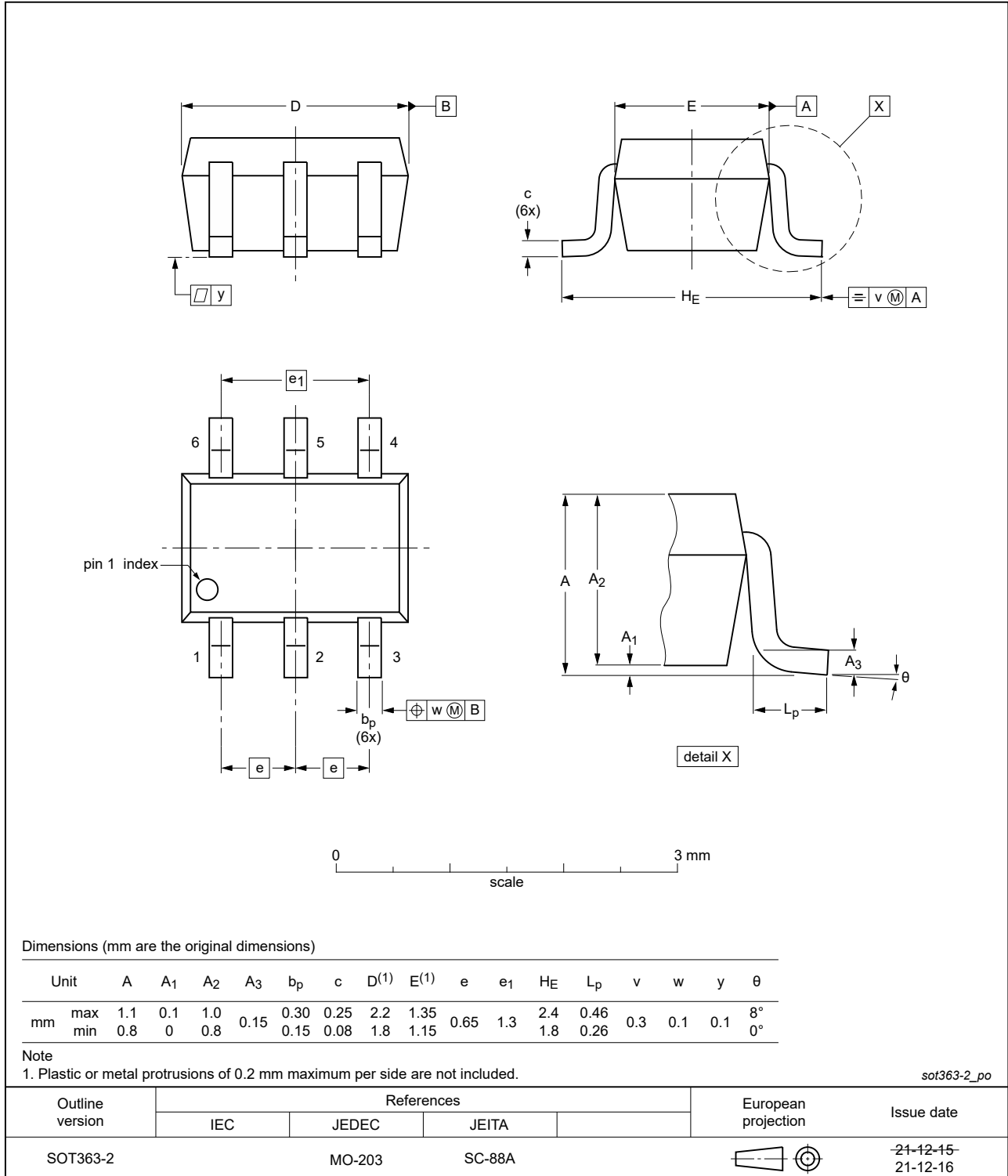


Fig. 20. Package outline SOT363-2 (TSSOP6)

13. Abbreviations

Table 14. Abbreviations

Acronym	Description
CDM	Charged Device Model
DUT	Device Under Test
ESD	ElectroStatic Discharge
HBM	Human Body Model
PRR	Pulse Rate Repetition

14. Revision history

Table 15. Revision history

Document ID	Release date	Data sheet status	Change notice	Supersedes
XS5A1T4157 v.2	20220209	Product data sheet	-	XS5A1T4157 v.1
Modifications:	<ul style="list-style-type: none"> Package SOT363 (SC-88) changed to SOT363-2 (TSSOP6). 			
XS5A1T4157 v.1	20210716	Product data sheet	-	-

15. Legal information

Data sheet status

Document status [1][2]	Product status [3]	Definition
Objective [short] data sheet	Development	This document contains data from the objective specification for product development.
Preliminary [short] data sheet	Qualification	This document contains data from the preliminary specification.
Product [short] data sheet	Production	This document contains the product specification.

- [1] Please consult the most recently issued document before initiating or completing a design.
- [2] The term 'short data sheet' is explained in section "Definitions".
- [3] The product status of device(s) described in this document may have changed since this document was published and may differ in case of multiple devices. The latest product status information is available on the internet at <https://www.nexperia.com>.

Definitions

Draft — The document is a draft version only. The content is still under internal review and subject to formal approval, which may result in modifications or additions. Nexperia does not give any representations or warranties as to the accuracy or completeness of information included herein and shall have no liability for the consequences of use of such information.

Short data sheet — A short data sheet is an extract from a full data sheet with the same product type number(s) and title. A short data sheet is intended for quick reference only and should not be relied upon to contain detailed and full information. For detailed and full information see the relevant full data sheet, which is available on request via the local Nexperia sales office. In case of any inconsistency or conflict with the short data sheet, the full data sheet shall prevail.

Product specification — The information and data provided in a Product data sheet shall define the specification of the product as agreed between Nexperia and its customer, unless Nexperia and customer have explicitly agreed otherwise in writing. In no event however, shall an agreement be valid in which the Nexperia product is deemed to offer functions and qualities beyond those described in the Product data sheet.

Disclaimers

Limited warranty and liability — Information in this document is believed to be accurate and reliable. However, Nexperia does not give any representations or warranties, expressed or implied, as to the accuracy or completeness of such information and shall have no liability for the consequences of use of such information. Nexperia takes no responsibility for the content in this document if provided by an information source outside of Nexperia.

In no event shall Nexperia be liable for any indirect, incidental, punitive, special or consequential damages (including - without limitation - lost profits, lost savings, business interruption, costs related to the removal or replacement of any products or rework charges) whether or not such damages are based on tort (including negligence), warranty, breach of contract or any other legal theory.

Notwithstanding any damages that customer might incur for any reason whatsoever, Nexperia's aggregate and cumulative liability towards customer for the products described herein shall be limited in accordance with the Terms and conditions of commercial sale of Nexperia.

Right to make changes — Nexperia reserves the right to make changes to information published in this document, including without limitation specifications and product descriptions, at any time and without notice. This document supersedes and replaces all information supplied prior to the publication hereof.

Suitability for use — Nexperia products are not designed, authorized or warranted to be suitable for use in life support, life-critical or safety-critical systems or equipment, nor in applications where failure or malfunction of an Nexperia product can reasonably be expected to result in personal

injury, death or severe property or environmental damage. Nexperia and its suppliers accept no liability for inclusion and/or use of Nexperia products in such equipment or applications and therefore such inclusion and/or use is at the customer's own risk.

Quick reference data — The Quick reference data is an extract of the product data given in the Limiting values and Characteristics sections of this document, and as such is not complete, exhaustive or legally binding.

Applications — Applications that are described herein for any of these products are for illustrative purposes only. Nexperia makes no representation or warranty that such applications will be suitable for the specified use without further testing or modification.

Customers are responsible for the design and operation of their applications and products using Nexperia products, and Nexperia accepts no liability for any assistance with applications or customer product design. It is customer's sole responsibility to determine whether the Nexperia product is suitable and fit for the customer's applications and products planned, as well as for the planned application and use of customer's third party customer(s). Customers should provide appropriate design and operating safeguards to minimize the risks associated with their applications and products.

Nexperia does not accept any liability related to any default, damage, costs or problem which is based on any weakness or default in the customer's applications or products, or the application or use by customer's third party customer(s). Customer is responsible for doing all necessary testing for the customer's applications and products using Nexperia products in order to avoid a default of the applications and the products or of the application or use by customer's third party customer(s). Nexperia does not accept any liability in this respect.

Limiting values — Stress above one or more limiting values (as defined in the Absolute Maximum Ratings System of IEC 60134) will cause permanent damage to the device. Limiting values are stress ratings only and (proper) operation of the device at these or any other conditions above those given in the Recommended operating conditions section (if present) or the Characteristics sections of this document is not warranted. Constant or repeated exposure to limiting values will permanently and irreversibly affect the quality and reliability of the device.

Terms and conditions of commercial sale — Nexperia products are sold subject to the general terms and conditions of commercial sale, as published at <http://www.nexperia.com/profile/terms>, unless otherwise agreed in a valid written individual agreement. In case an individual agreement is concluded only the terms and conditions of the respective agreement shall apply. Nexperia hereby expressly objects to applying the customer's general terms and conditions with regard to the purchase of Nexperia products by customer.

No offer to sell or license — Nothing in this document may be interpreted or construed as an offer to sell products that is open for acceptance or the grant, conveyance or implication of any license under any copyrights, patents or other industrial or intellectual property rights.

Export control — This document as well as the item(s) described herein may be subject to export control regulations. Export might require a prior authorization from competent authorities.

Non-automotive qualified products — Unless this data sheet expressly states that this specific Nexperia product is automotive qualified, the product is not suitable for automotive use. It is neither qualified nor tested in accordance with automotive testing or application requirements. Nexperia accepts no liability for inclusion and/or use of non-automotive qualified products in automotive equipment or applications.

In the event that customer uses the product for design-in and use in automotive applications to automotive specifications and standards, customer (a) shall use the product without Nexperia's warranty of the product for such automotive applications, use and specifications, and (b) whenever customer uses the product for automotive applications beyond Nexperia's specifications such use shall be solely at customer's own risk, and (c) customer fully indemnifies Nexperia for any liability, damages or failed product claims resulting from customer design and use of the product for automotive applications beyond Nexperia's standard warranty and Nexperia's product specifications.

Translations — A non-English (translated) version of a document is for reference only. The English version shall prevail in case of any discrepancy between the translated and English versions.

Trademarks

Notice: All referenced brands, product names, service names and trademarks are the property of their respective owners.

Contents

1. General description	1
2. Features and benefits	1
3. Ordering information	1
4. Marking	1
5. Functional diagram	2
6. Pinning information	2
6.1. Pinning.....	2
6.2. Pin description.....	2
7. Functional description	2
8. Limiting values	3
9. Recommended operating conditions	3
10. Static characteristics	4
10.1. Test circuits and graphs.....	4
10.2. ON resistance.....	6
10.3. ON resistance test circuit and graphs.....	7
11. Dynamic characteristics	8
11.1. Waveforms and test circuits.....	8
11.2. Additional dynamic characteristics.....	10
11.3. Test circuits.....	11
12. Package outline	13
13. Abbreviations	14
14. Revision history	14
15. Legal information	15

© Nexperia B.V. 2022. All rights reserved

For more information, please visit: <http://www.nexperia.com>

For sales office addresses, please send an email to: salesaddresses@nexperia.com

Date of release: 9 February 2022