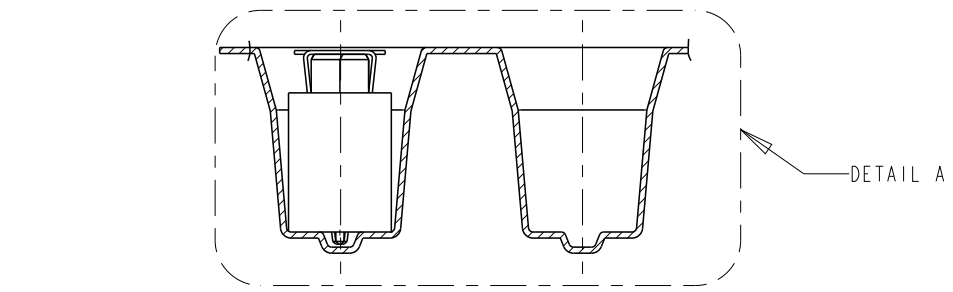
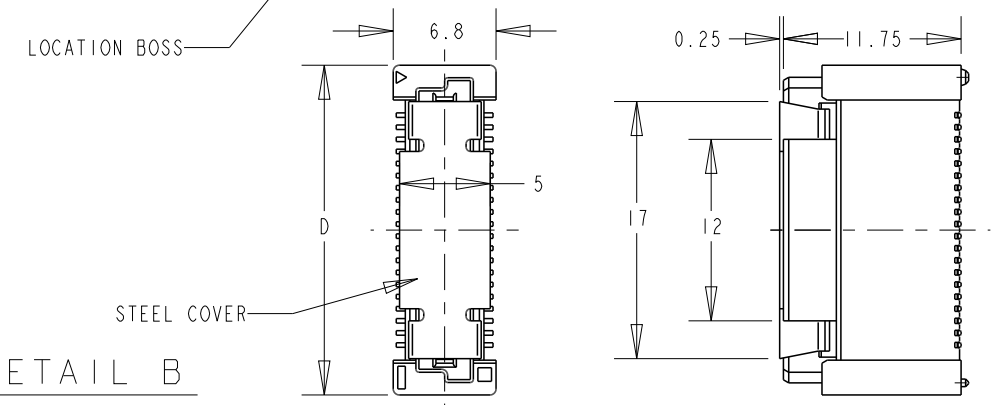
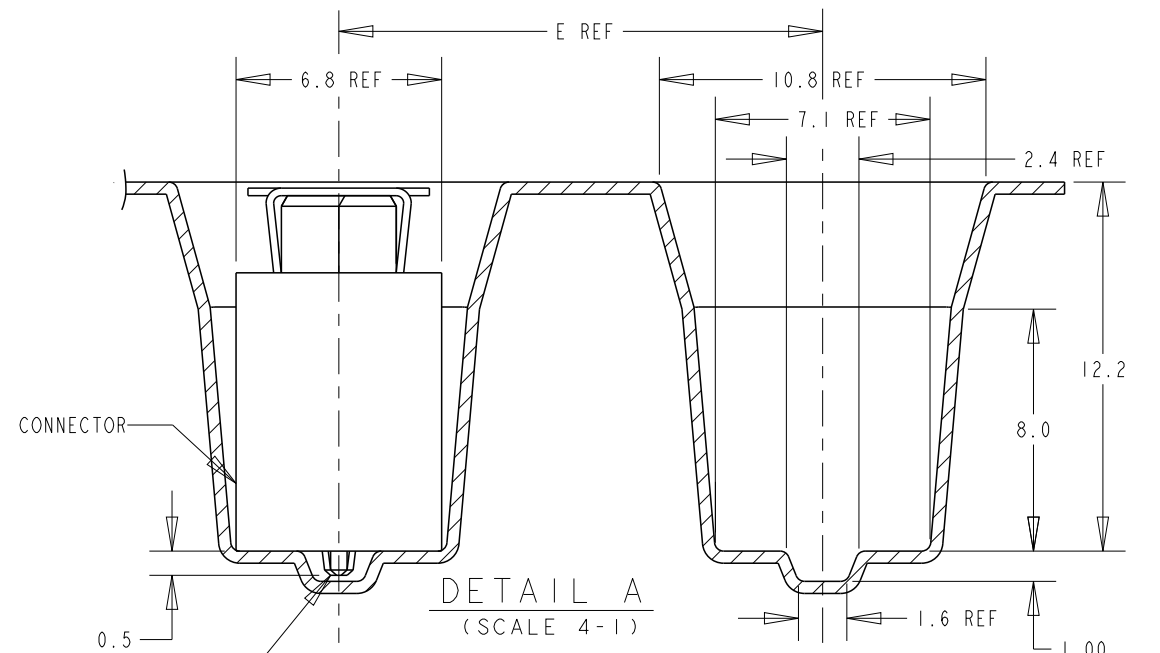
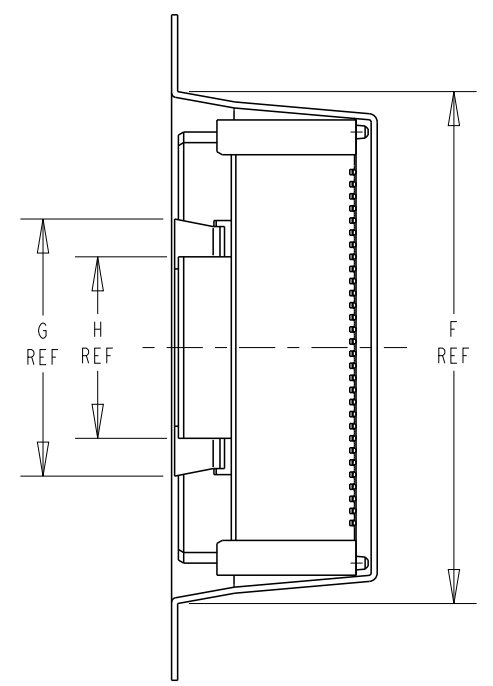
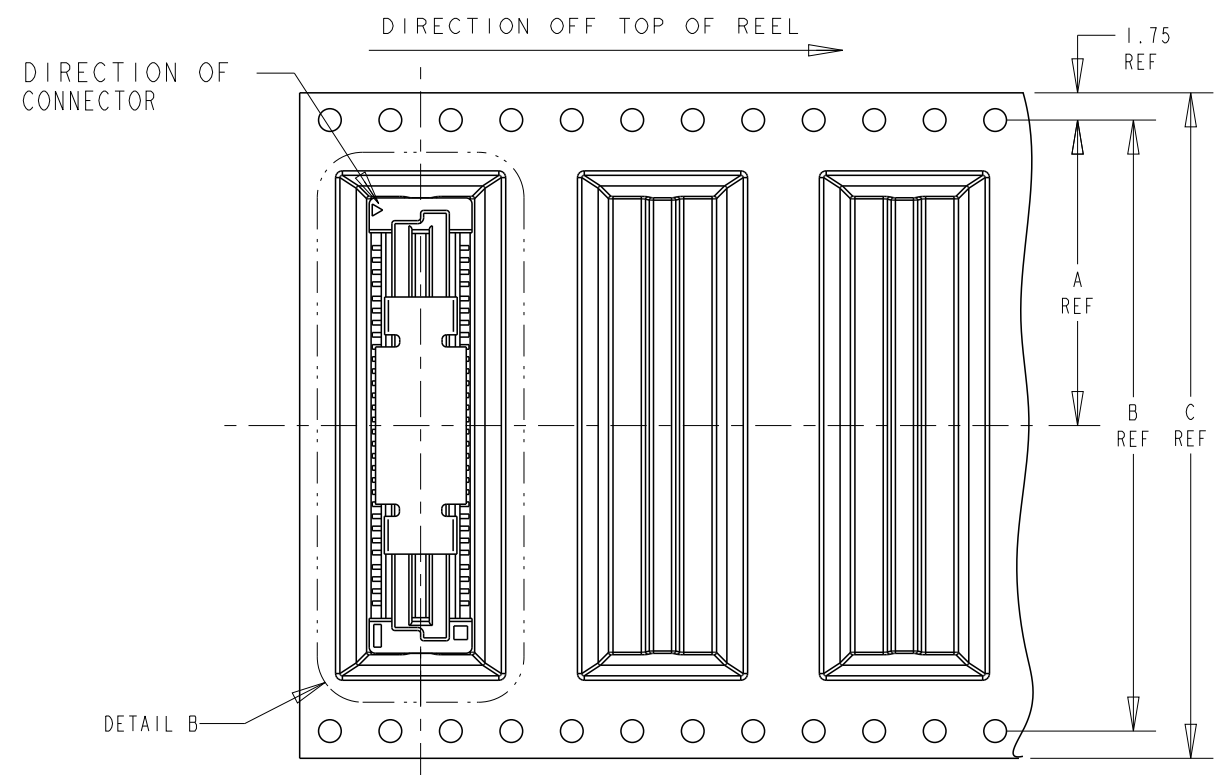
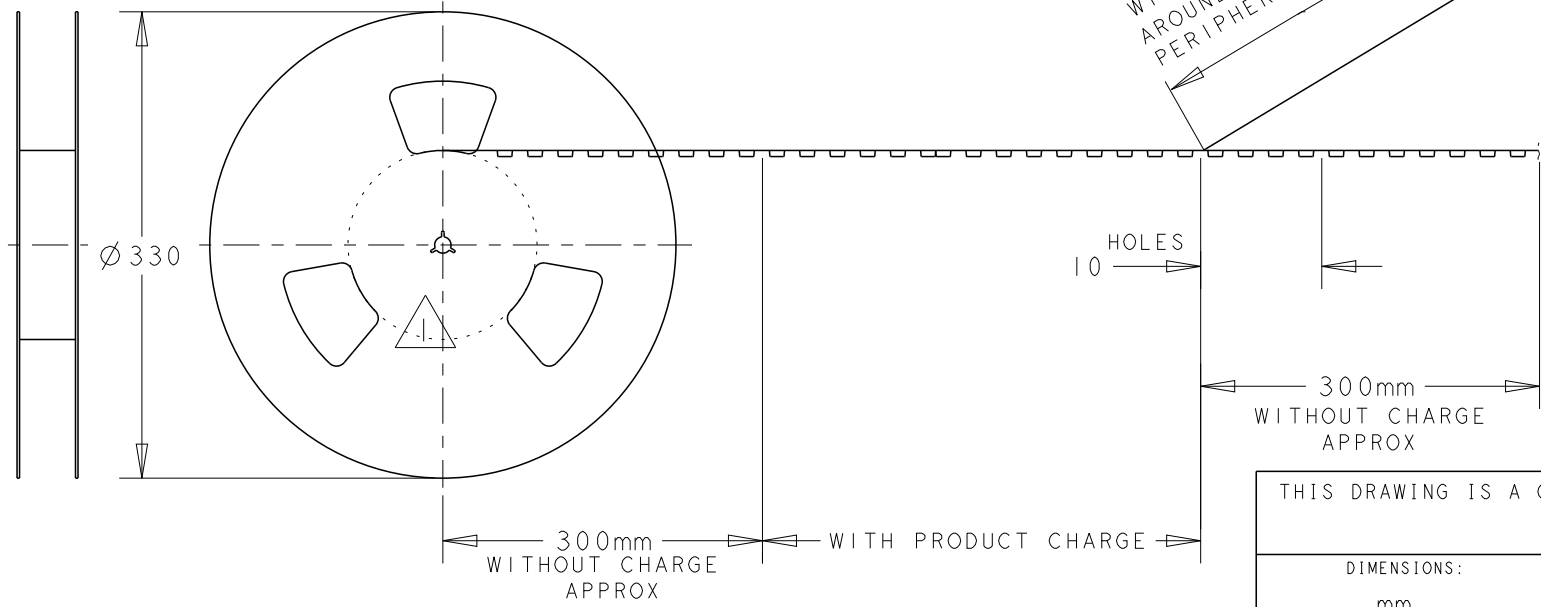


THIS DRAWING IS UNPUBLISHED. RELEASED FOR PUBLICATION 20
 © COPYRIGHT 20 BY - ALL RIGHTS RESERVED.

REVISIONS				
P	LTR	DESCRIPTION	DATE	APVD
R4		REVISE PER ECN-22-167975	03AUG2022	A.L H.L



WINDING THE COVER TAPE AROUND THE OUTER PERIPHERY IN A TURN.



2	200	12	17	89.8	16	85.8	104	100.4	50.2	200	1-5084616-0
	200	12	17	81.8	16	77.8	104	100.4	50.2	180	5084616-9
	200	12	17	73.8	16	69.8	88	84.4	42.2	160	5084616-8
	200	12	17	65.8	16	61.8	88	84.4	42.2	140	5084616-6
	200	12	17	57.8	16	53.8	72	68.4	34.2	120	5084616-5
	200	12	17	49.8	16	45.8	72	68.4	34.2	100	5084616-4
	200	12	17	41.8	16	37.8	56	52.4	26.2	80	5084616-3
	200	12	17	33.8	16	29.8	44	40.4	20.2	60	5084616-2
	200	12	17	25.8	16	21.8	44	40.4	20.2	40	5084616-1
	QTY	H	G	F	E	D	C	B	A	POS	PART NO.

FINISH	QTY	H	G	F	E	D	C	B	A	POS	PART NO.
3	200	12	17	57.8	16	53.8	72	68.4	34.2	120	9-5084616-5
	200	12	17	49.8	16	45.8	72	68.4	34.2	100	9-5084616-4

THIS DRAWING IS A CONTROLLED DOCUMENT.

DIMENSIONS: mm

TOLERANCES UNLESS OTHERWISE SPECIFIED:

0 PLC	±-
1 PLC	±0.20
2 PLC	±0.25
3 PLC	±-
4 PLC	±-
ANGLES	±-
FINISH	-

MATERIAL 1

DWN 01SEP04 FLORENCE TAN
 CHK ERIC TNG
 APVD SE LEONG
 PRODUCT SPEC 108-5390
 APPLICATION SPEC 114-5254
 WEIGHT -

STE TE Connectivity

NAME RECEPTACLE ASS'Y 13H TYPE (0.5 BOSS LENGTH) FOR FH 0.8mm B-T-B CONN. ON TAPING

SIZE A3	CAGE CODE 00779	DRAWING NO C-5084616	RESTRICTED TO -
---------	-----------------	----------------------	-----------------

CUSTOMER DRAWING SCALE 2:1 SHEET 1 OF 2 REV R4

THIS DRAWING IS UNPUBLISHED. RELEASED FOR PUBLICATION 20
 © COPYRIGHT 20 BY - ALL RIGHTS RESERVED.

REVISIONS				
P	LTR	DESCRIPTION	DATE	APVD
		SEE SHEET I		

D

D

C

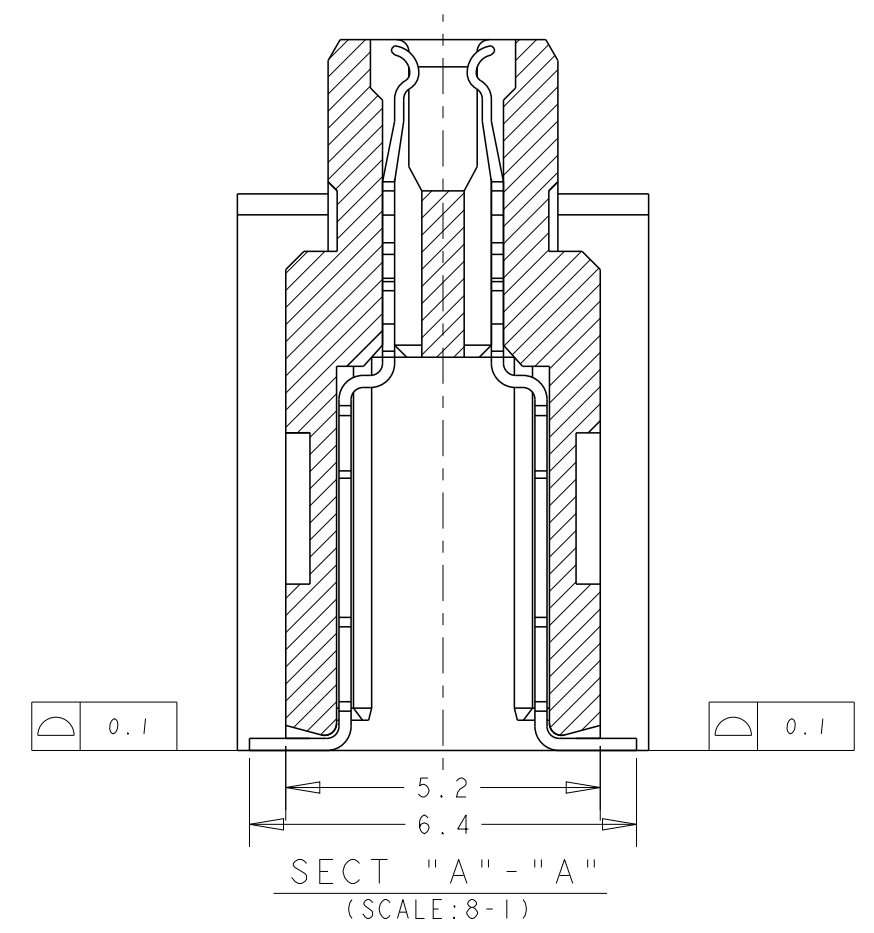
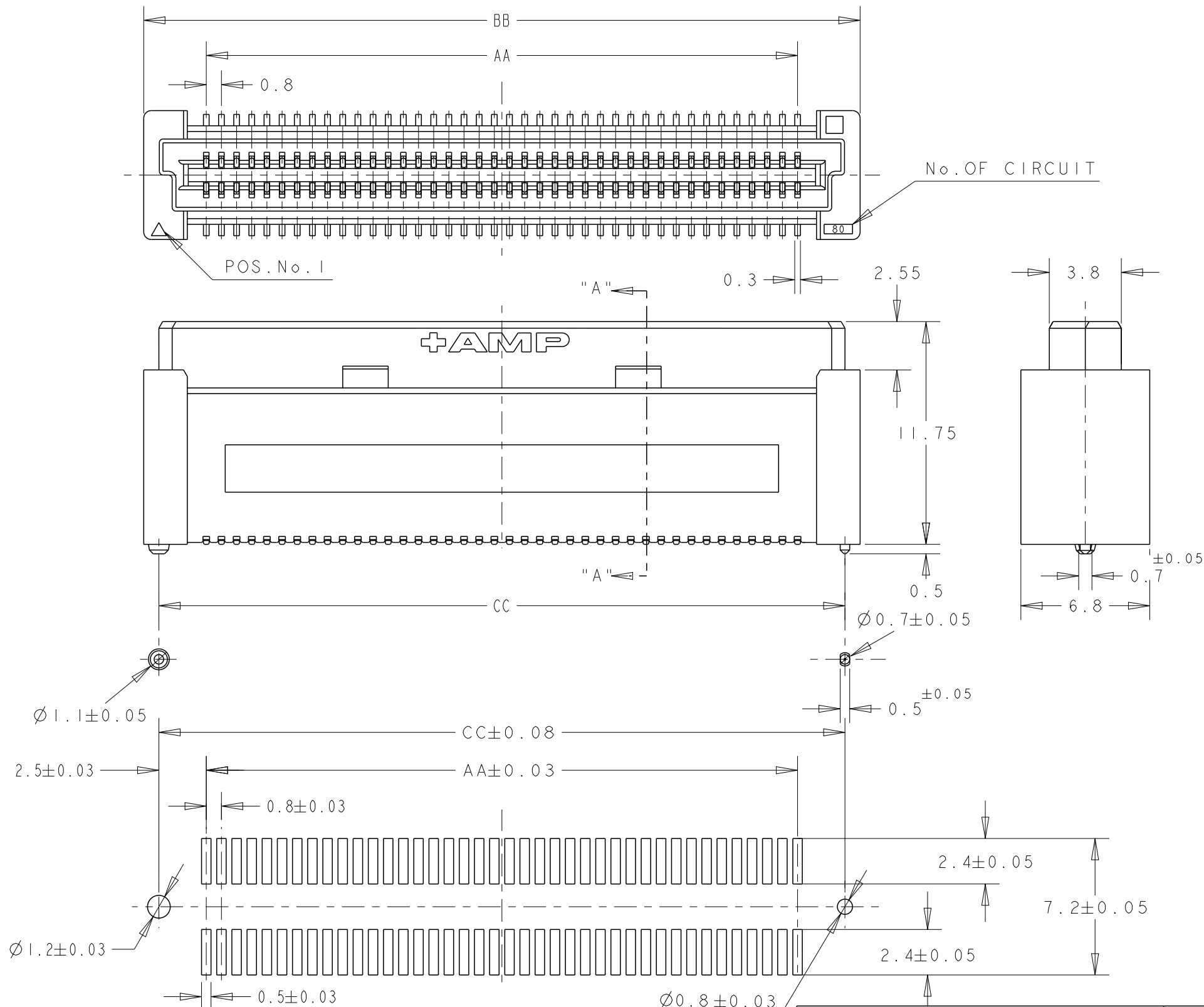
C

B

B

A

A



52.2	53.8	47.2	120	9-5084616-5
44.2	45.8	39.2	100	9-5084616-4
84.2	85.8	79.2	200	1-5084616-0
76.2	77.8	71.2	180	5084616-9
68.2	69.8	63.2	160	5084616-8
60.2	61.8	55.2	140	5084616-6
52.2	53.8	47.2	120	5084616-5
44.2	45.8	39.2	100	5084616-4
36.2	37.8	31.2	80	5084616-3
28.2	29.8	23.2	60	5084616-2
20.2	21.8	15.2	40	5084616-1
CC	BB	AA	POS	PART NO.

NOTES:
 RECOMMENDED P.C. BOARD LAYOUT
 △ MATERIALS:
 HOUSING: L.C.P (HIGH TEMP THERMO-PLASTIC)
 UL 94V-0, NATURAL.
 CONTACT: COPPER ALLOY.
 FINISH:
 △ ENGAGEMENT AREA: 0.0002 MIN GOLD
 △ ENGAGEMENT AREA: GOLD FLASH
 4. SOLDERING AREA: 0.0020 MIN MATTE TIN
 UNDERCOAT: 0.0013 MIN NICKEL ALL OVER
 5. CONN STACK HEIGHT COMBINE OF PLUG "Y" H VS REC "X" H.
 STACK HEIGHT = Y + X - 5

THIS DRAWING IS A CONTROLLED DOCUMENT.

DIMENSIONS:	TOLERANCES UNLESS OTHERWISE SPECIFIED:
mm	
	0 PLC ±-
	1 PLC ±0.20
	2 PLC ±0.25
	3 PLC ±-
	4 PLC ±-
	ANGLES ±-
MATERIAL	FINISH
	-

THIS DRAWING IS A CONTROLLED DOCUMENT.

DWN	01SEP04	TE Connectivity	
CHK	FLORENCE TAN		
APVD	ERIC TNG		
PRODUCT SPEC	SE LEONG		
APPLICATION SPEC	108-5390	NAME	
WEIGHT	114-5254	RECEPTACLE ASS'Y 13H TYPE (0.5 BOSS LENGTH) FOR FH 0.8mm B-T-B CONN. ON TAPING	
CUSTOMER DRAWING	SCALE	SIZE	RESTRICTED TO
	2:1	A3 00779 C=5084616	-
	SHEET	REV	
	2 OF 2	R4	