

ITEM	PART#	DESCRIPTION	QTY	UOM
A,B	39012045	4CKT RECEPTACLE HOUSING 555704R210	2	PC
C	39000077	MiniFit Term Crp Fem Chn Bs Tin 16awg	8	PC
D	--	PAPER PRINTED PAPER WHITE	1	PC

FROM	TO	DESCRIPTION	COLOR
A1	B2	1X16AWG DISC PVC BK UL1015 HOOKUP	BLACK
A2	B1	1X16AWG DISC PVC BK UL1015 HOOKUP	BLACK
A3	B4	1X16AWG DISC PVC BK UL1015 HOOKUP	BLACK
A4	B3	1X16AWG DISC PVC BK UL1015 HOOKUP	BLACK

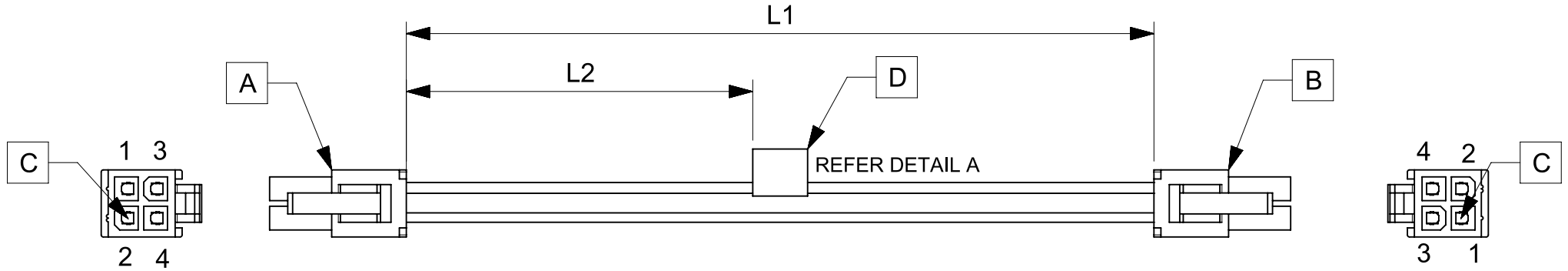


TABLE			
PART NUMBER	L1	L2	TITLE
2153251041	150±8	63 REF	MINIFIT JR DR R-R 4 CIRCUIT 150MM Sn
2153251042	300±10	138 REF	MINIFIT JR DR R-R 4 CIRCUIT 300MM Sn
2153251043	600±10	288 REF	MINIFIT JR DR R-R 4 CIRCUIT 600MM Sn

**NOTES**

1. Cable assembly must pass 100% continuity and polarity test.
2. Connector view shown is from mating side.
3. Label text must be 2mm max. in height with Arial font.
4. Label must be wrapped in flag type on a single cable.

MOLEX P/N  
MOLEX  
BATCH WK/YR  
DETAIL A

REVISION			
DATE	REV	DESCRIPTION	CHANGER
2020/03/19	A	INITIAL RELEASE	ARAJU

FUNCTIONAL SYMBOLS FA = 0 FE = 0 FP = 0	THIS DRAWING CONTAINS INFORMATION THAT IS PROPRIETARY TO MOLEX ELECTRONIC TECHNOLOGIES, LLC AND SHOULD NOT BE USED WITHOUT WRITTEN PERMISSION		CURRENT REV DESC:				
	DIMENSION UNITS mm	SCALE NTS	GENERAL TOLERANCES (UNLESS SPECIFIED)				
DIVISIONAL SYMBOLS	ANGULAR TOL ± °		EC NO: 638379				
	4 PLACES ±	DRWN: ARAJU 2020/03/19					
3 PLACES ±	CHK'D: RDESAI01 2020/05/28		PRODUCT CUSTOMER DRAWING				
2 PLACES ±	APPR: RDESAI01 2020/05/28		DOCUMENT NUMBER				
1 PLACE ±	INITIAL REVISION:		2153251041				
0 PLACES ±	DRWN: ARAJU 2020/03/19		DOC TYPE DOC PART REVISION				
DRAFT WHERE APPLICABLE MUST REMAIN WITHIN DIMENSIONS		THIRD ANGLE PROJECTION	DRAWING	SERIES	MATERIAL NUMBER	CUSTOMER	SHEET NUMBER
			A4-SIZE	215325	SEE TABLE	GENERAL MARKET	1 OF 1

RELEASE STATUS	P1	RELEASE DATE	2020/05/28	07:59:22
----------------	----	--------------	------------	----------