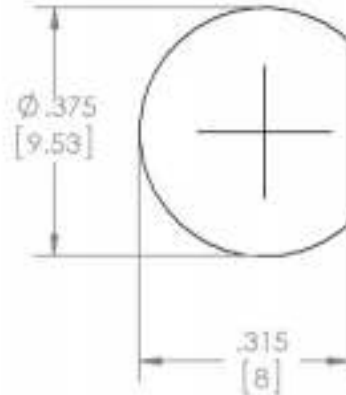


### BU-P3778

(Female BNC, Panel Mount)



Recommended Mounting hole

- The BU-P3778 is a panel mountable female BNC connector with a ground isolated from the chassis.
- Overall length 1.2" (30mm), insulated flange diameter = 0.475" (12mm)
- Mounting: Mount thru panels up to 0.25" thick with a  $\varnothing 0.375$ " (9.52mm) hole.
- Material:

Body	Nickel-plated brass
Contact	Gold-plated beryllium copper
Insulator	PTFE
- Rating:

Impedance	50 Ohms
30VAC/60VDC Max shield/earth	
500 VRMS inner contact/shield	
- RoHS 3 compliant