

**DESIGNED AND DIMENSIONED IN INCHES[MILLIMETERS]
ALL DIMENSIONS REFERENCE EXCEPT AS SHOWN**

DO NOT SCALE FROM THIS PRINT

240-J-P-EP-ST-CM-X-X

SERIES
240: 2.40MM

GENDER
-J: JACK

TYPE
-P: PCB

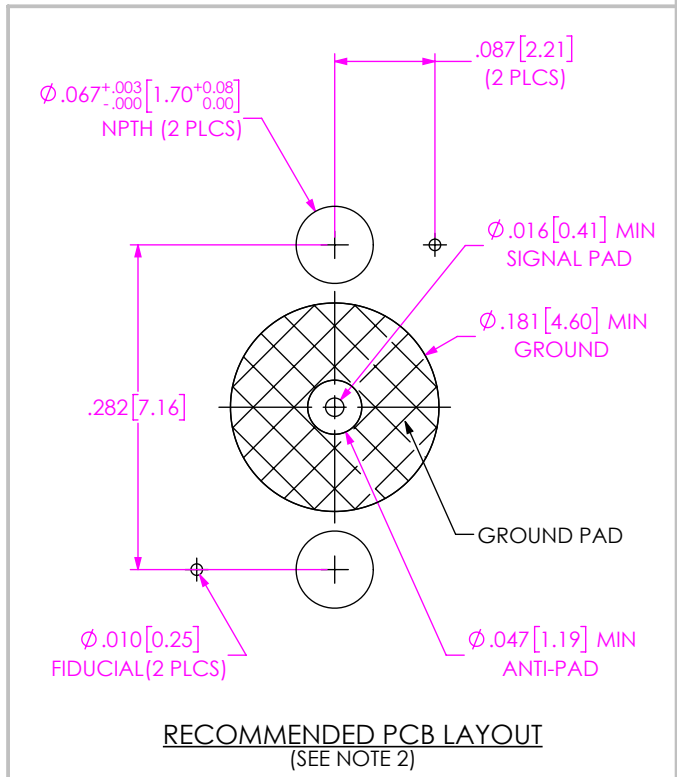
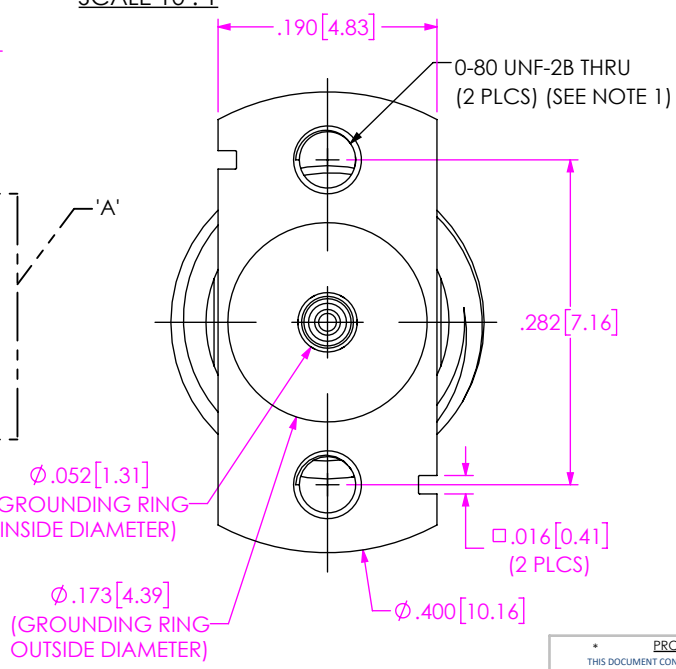
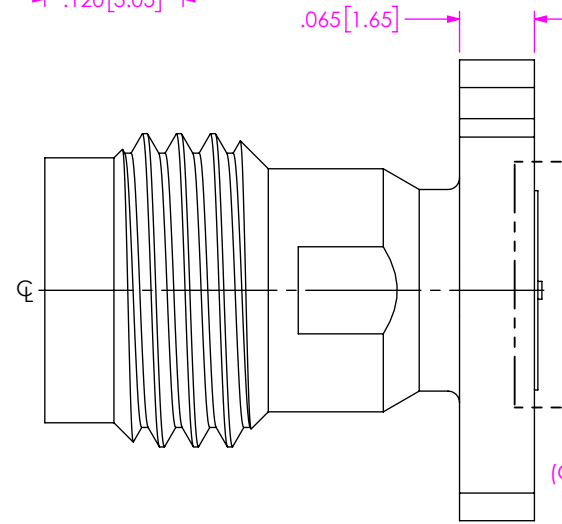
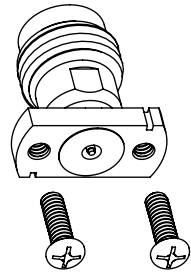
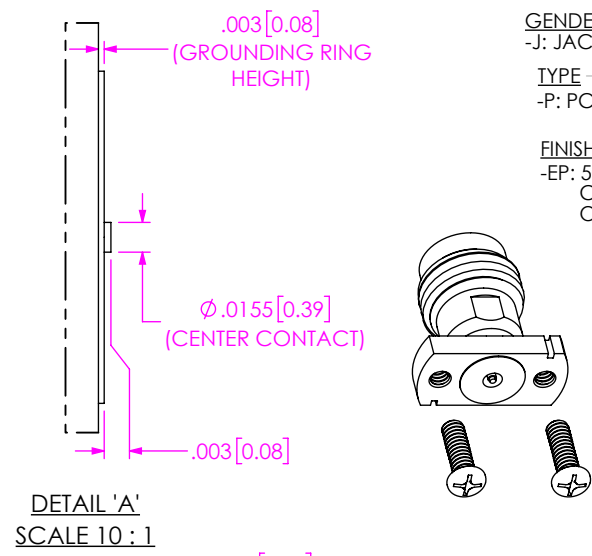
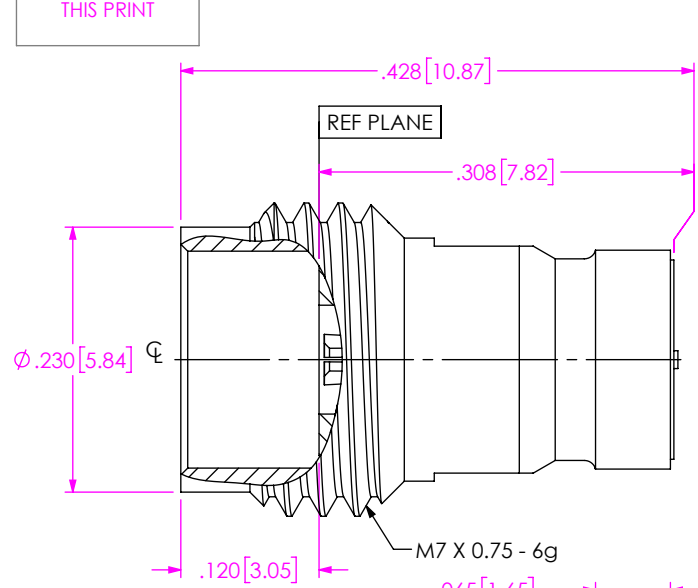
FINISH
-EP: 50µ" EXTRA HEAVY GOLD CENTER CONTACT, PASSIVATED OUTER CONTACT

PACKAGING
-BLANK: INDIVIDUALLY BAGGED
-B: BULK PACKAGED (QTY=100 MAX)

OPTION
-1: OPTION 1 (WITHOUT SCREWS)
-2: OPTION 2 (WITH SCREWS)

TERMINATION
-CM: COMPRESSION MOUNT STRIPLINE

ORIENTATION
-ST: STRAIGHT



- NOTES:
1. RECOMMENDED MOUNTING TORQUE 0.5~0.8 INCH-POUNDS.
 2. THIS IS A GENERAL FOOTPRINT AND IS NOT OPTIMIZED FOR ELECTRICAL PERFORMANCE, CONTACT SIG@SAMTEC.COM FOR ASSISTANCE WITH ELECTRICAL LAYOUT.

<p>PROPRIETARY NOTE</p> <p>THIS DOCUMENT CONTAINS CONFIDENTIAL AND PROPRIETARY INFORMATION AND ALL DESIGN, MANUFACTURING, REPRODUCTION, USE, PATENT RIGHTS AND SALES RIGHTS ARE EXPRESSLY RESERVED BY SAMTEC, INC. THIS DOCUMENT SHALL NOT BE DISCLOSED, IN WHOLE OR PART, TO ANY UNAUTHORIZED PERSON OR ENTITY NOR REPRODUCED, TRANSFERRED OR INCORPORATED IN ANY OTHER PROJECT IN ANY MANNER WITHOUT THE EXPRESS WRITTEN CONSENT OF SAMTEC, INC.</p>		<p>DO NOT SCALE DRAWING SHEET SCALE: 6:1</p>		<p>DESCRIPTION: 2.40MM ST JACK FOR COMPRESSION MOUNT STRIPLINE</p>	
<p>MATERIAL:</p> <p>BODY, BUSHING & SCREW: STAINLESS STEEL SOCKET: COPPER ALLOY</p>		<p>DWG. NO.</p> <p>240-J-P-EP-ST-CM-X-X</p>		<p>BY: SHERRY W 7/10/2019 SHEET 1 OF 1</p>	



520 PARK EAST BLVD, NEW ALBANY, IN 47150
PHONE: 812-944-6733 FAX: 812-948-5047
e-Mail: info@SAMTEC.com code: 55322