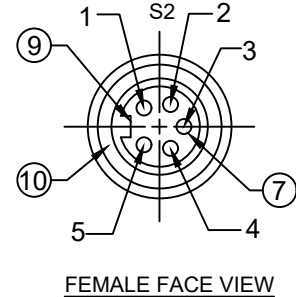
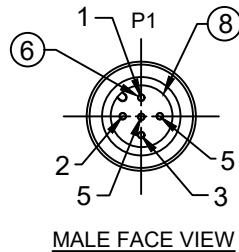
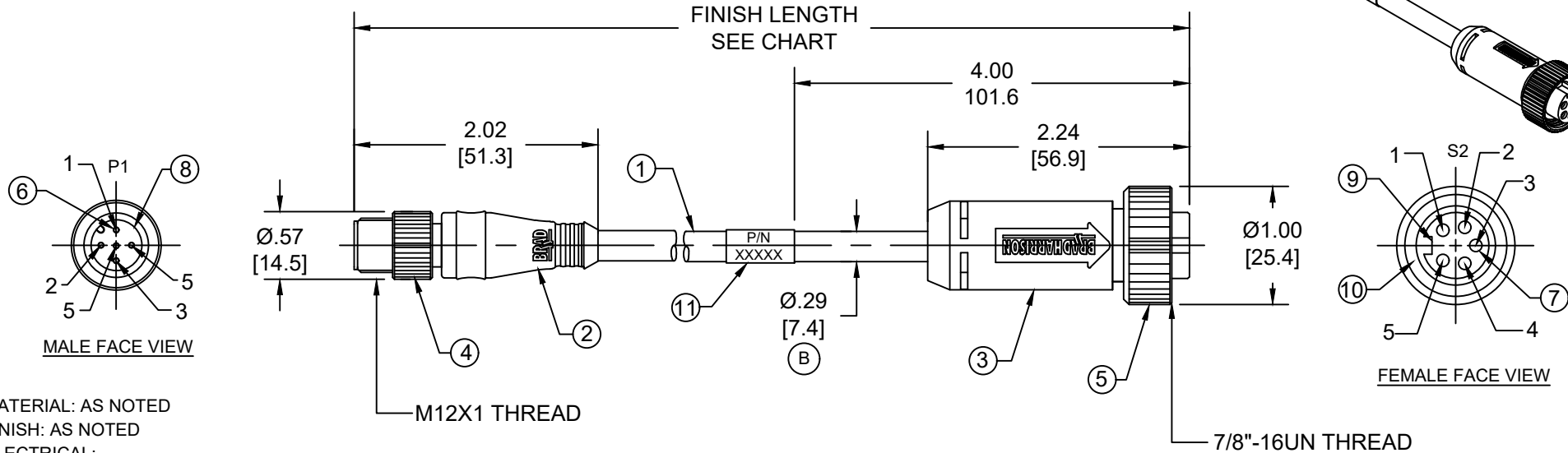
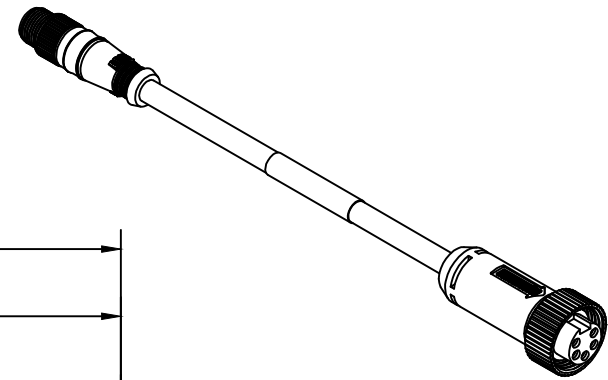


| SAP P/N # | ENGINEERING P/N | FINISHED LENGTH |
|------------|-----------------|-------------------|
| 1300390144 | DND12A-M005 | 0.5M [1FT 8 IN] |
| 1300390147 | DND12A-M030 | 3M [9FT 10 IN] |
| 1300390150 | DND12A-M060 | 6M [19FT 8 IN] |



NOTES:

- MATERIAL: AS NOTED
- FINISH: AS NOTED
- ELECTRICAL:
VOLTAGE: 250V
CURRENT: 4A
- TEMP RATING: -20°C TO +80°C
- PROTECTION: IP67 (WHEN MATED)
- UL LISTED FILE: E152210
CSA CERTIFIED FILE: LR6837
- ALL DIMENSIONS ARE FOR REFERENCE UNLESS TOLERANCED OR NOTED OTHERWISE

PART NUMBER LEGEND

DND12A-M005

LENGTH:
M005= 0.5 METER
M010= 1 METER
M100= 10 METER

| P1 | | S2 | |
|----|-------|----|--|
| 1 | DRAIN | 1 | |
| 2 | RED | 2 | |
| 3 | BLACK | 3 | |
| 4 | WHITE | 4 | |
| 5 | BLUE | 5 | |

CABLE LENGTH TOLERANCES

| | |
|--------------------------|-------------------------|
| <.3M [1FT]: | +19mm-0 [+.75in-0] |
| .3 - .9M [1 - 3FT]: | +44.5mm-0 [+1.75in-0] |
| .9 - 1.8M [3 - 6FT]: | +55.6mm-0 [+2.19in-0] |
| 1.8 - 3.7M [6 - 12FT]: | +88.9mm-0 [+3.50in-0] |
| 3.7 - 7.3M [12 - 24FT]: | +165.1mm-0 [+6.50in-0] |
| 7.3-14.6M [24 - 48FT]: | +317.5mm-0 [+12.50in-0] |
| 14.6 - 30.5M [48-100FT]: | +622.3mm-0 [+24.50in-0] |
| OVER 30M [100FT] | +2% OF FINISHED LENGTH |

| 11 | WRAP LABEL | VINYL | BLACK/YELLOW |
|------|----------------------|---------------|------------------|
| 10 | FRICTION RING | NYLON | WHITE |
| 9 | FEMALE INSERT(MINI) | TPE | BLACK |
| 8 | MALE INSERT(MICRO) | NYLON | BLACK |
| 7 | SOCKET CONTACT | COPPER ALLOY | GOLD OVER NICKEL |
| 6 | PIN CONTACT | COPPER ALLOY | GOLD OVER NICKEL |
| 5 | COUPLING NUT(MINI) | ZINC DIE-CAST | BLACK E-COAT |
| 4 | COUPLING NUT(MICRO) | ZINC DIE-CAST | BLACK E-COAT |
| 3 | OVERMOLD(MINI) | TPC | GRAY |
| 2 | OVERMOLD(MICRO) | TPC | GRAY |
| 1 | DEVICENET DROP CABLE | PVC JACKET | GRAY |
| ITEM | COMPONENT | MATERIAL | FINISH |

THIS DRAWING CONTAINS INFORMATION THAT IS PROPRIETARY TO MOLEX ELECTRONIC TECHNOLOGIES, LLC AND SHOULD NOT BE USED WITHOUT WRITTEN PERMISSION

| FUNCTIONAL SYMBOLS | DIMENSION UNITS | | SCALE | | CURRENT REV DESC: ITEM-2, 3 & 9 WERE PVC. ADDED ITEM-10, TOL CHART, UL, CSA, CABLE DIA AND PN LEGEND. MODIFIED PN CHART |
|--|---------------------------------------|-------|-------|--|---|
| | INCH | MM | NTS | | |
| | GENERAL TOLERANCES (UNLESS SPECIFIED) | | | | EC NO: 720800 DRWN: ABENJAMINLW 2022/07/21 CHK'D: RSTONE 2022/09/09 APPR: BWOODMAN 2022/09/09 |
| | | mm | INCH | | |
| | 4 PLACES | ±---- | ±---- | | |
| | 3 PLACES | ±---- | ±---- | | |
| | 2 PLACES | ±---- | ±---- | | |
| DIVISIONAL SYMBOLS | 1 PLACE | ±---- | ±---- | | DRWN: TWOLDEGE 2010/01/11 APPR: JFMURPHY 2010/01/20 |
| | 0 PLACES | ±---- | ±---- | | |
| | ANGULAR TOL ± ---- ° | | | | |
| DRAFT WHERE APPLICABLE MUST REMAIN WITHIN DIMENSIONS | | | | | THIRD ANGLE PROJECTION |

MOLEX

MICRO-MINI CHANGE DEVICENET, M12-A-SIZE,
5 POLE, MALE-FEMALE, STRAIGHT, SINGLE KEY,
#22/4 AWG

PRODUCT CUSTOMER DRAWING

DOCUMENT NUMBER: **SD-130039-018** DOC TYPE: PSD DOC PART: 001 REVISION: B

MATERIAL NUMBER: SEE CHART CUSTOMER: GENERAL MARKET SHEET NUMBER: 1 OF 1