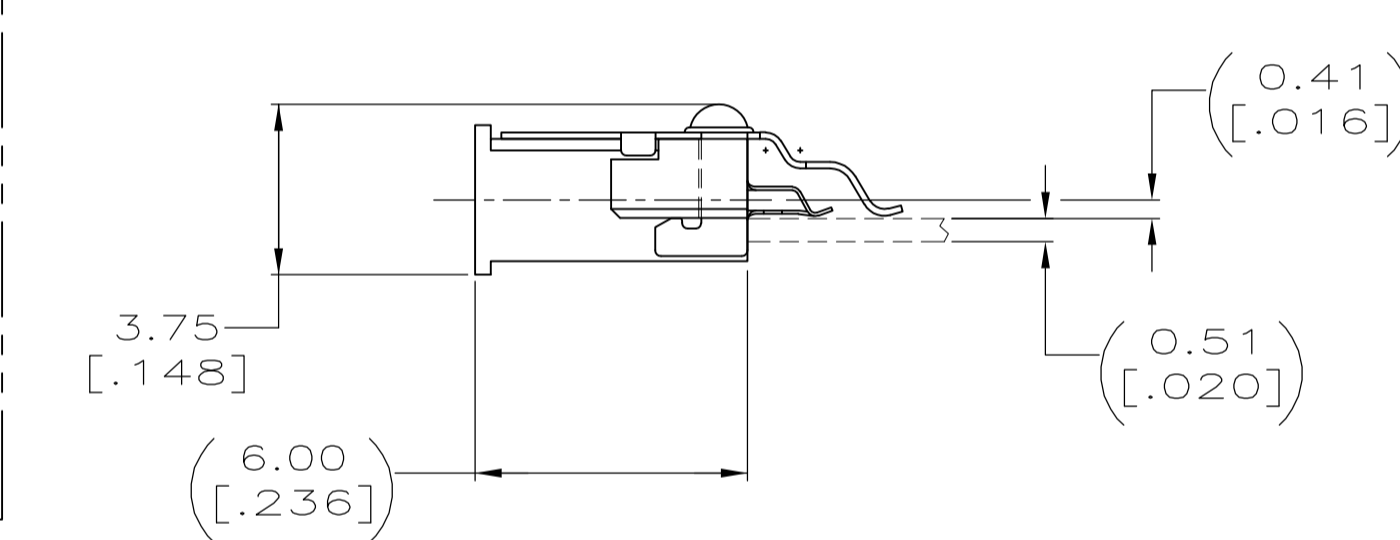
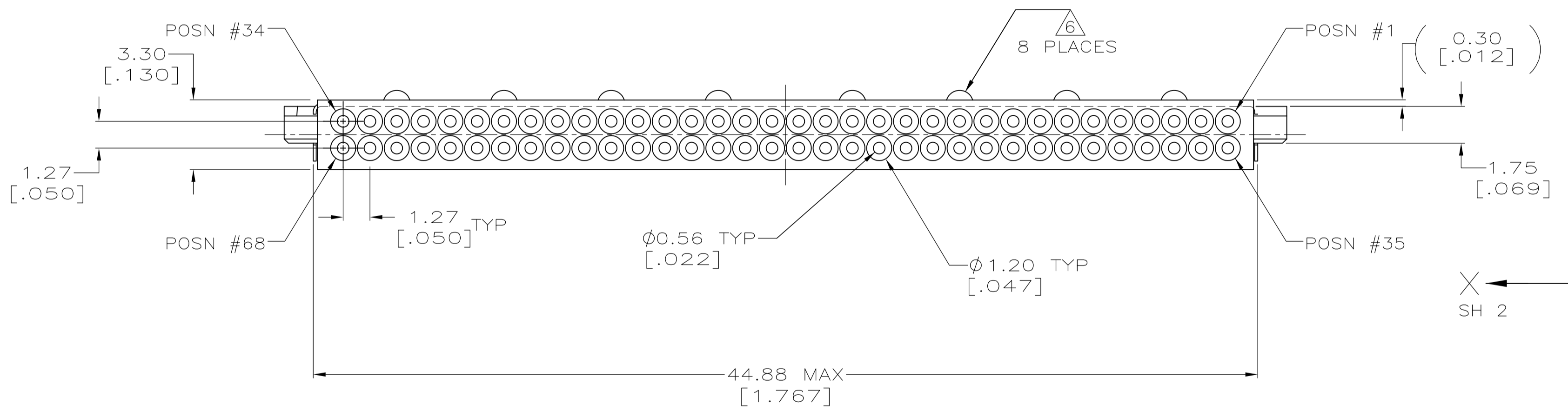
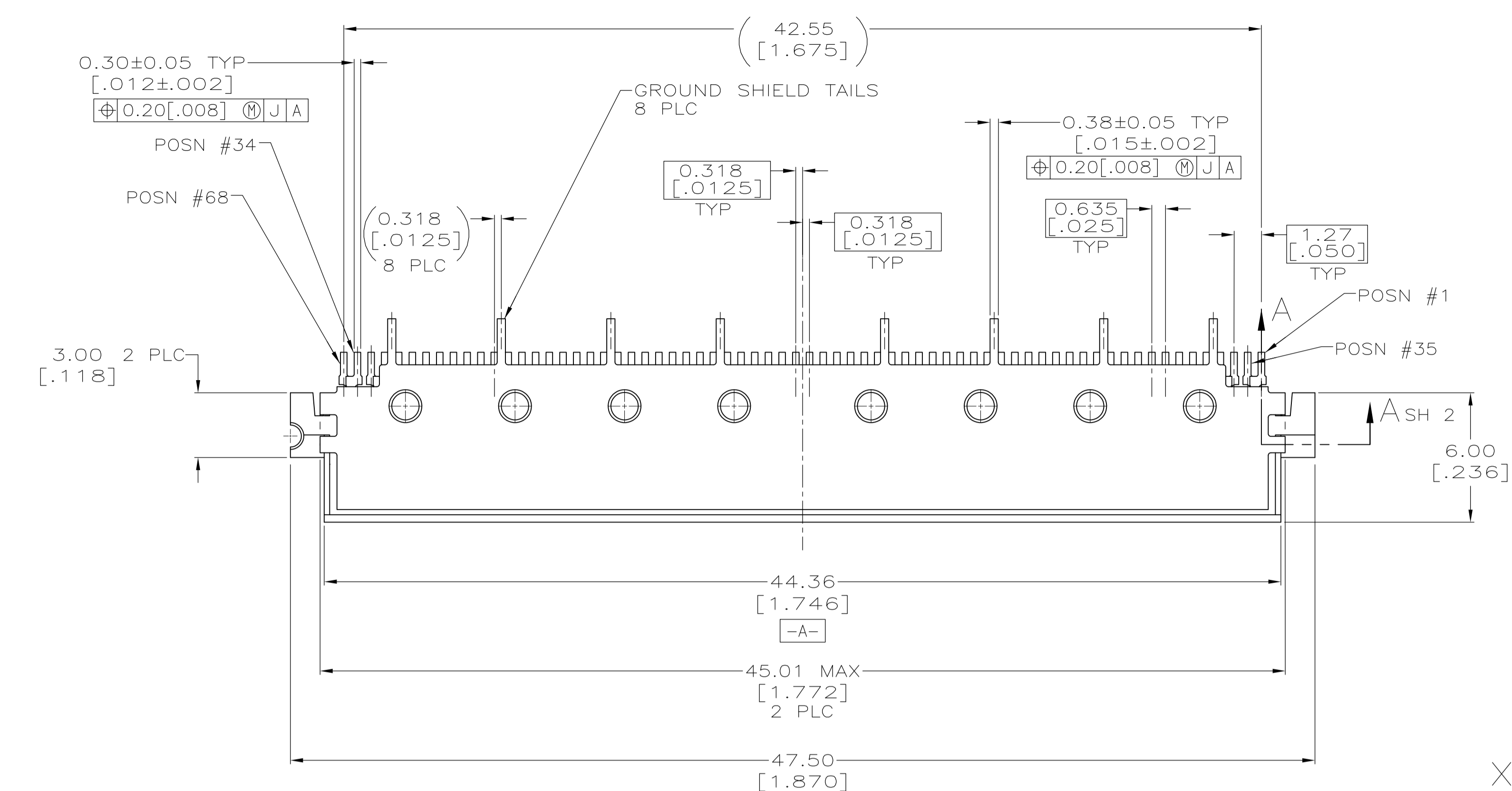
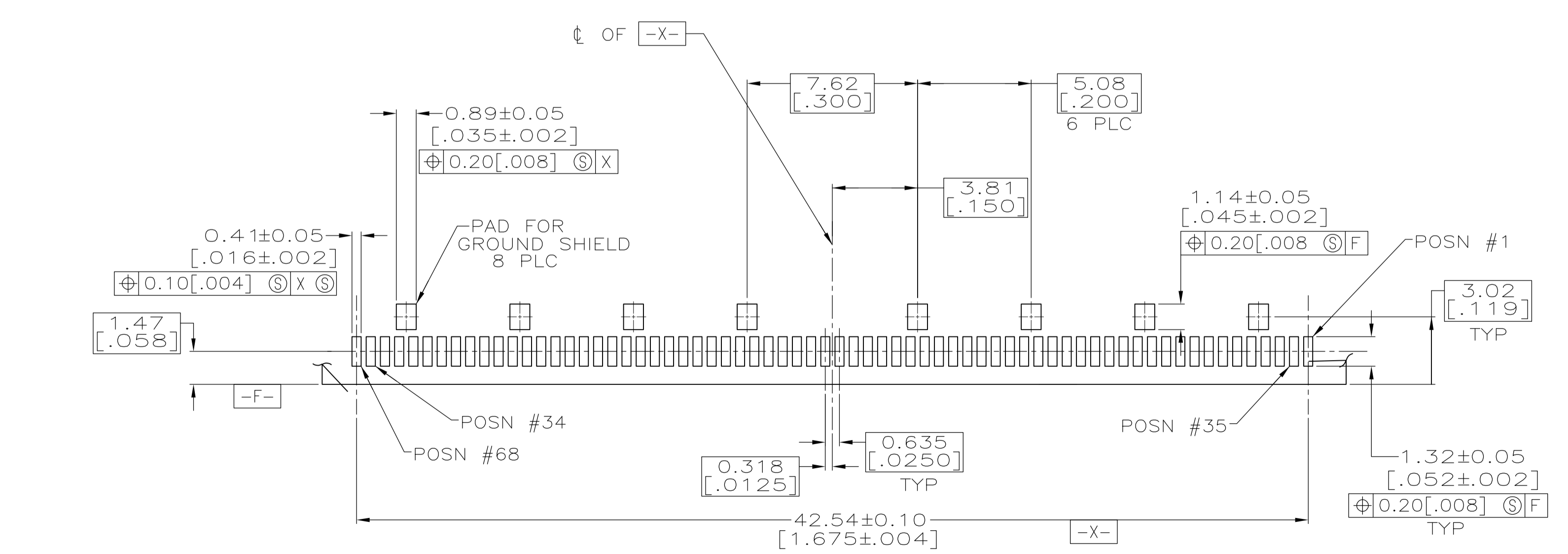


LOC		DIST		REVISIONS			
F	LTR	DESCRIPTION	DATE	DNW	APVD		
A		REV PER ECO-09-006436	15APR09	CR	EB		



- 1 HOUSING: LCP, GLASS FILLED, COLOR: BLACK.
- 2 CONTACTS: BERYLLIUM COPPER; SHIELD: BRASS.
- 3 DIMENSION IN REFERENCE TO LOWEST POINT OF EACH LEAD.
- 4. POINT OF CONTACT 2.3 [.091] REF FROM MATING FACE.
- 5 APPLIES TO 68 SIGNAL TAILS ONLY.
- 6 LOCALIZED PLATING AREA "A".
- 7 LOCALIZED PLATING AREA "B".
- 8 PACKAGED IN TUBES.
- 9 PACKAGED IN 56mm WIDE TAPE AND PLASTIC REEL.
- 10 PACKAGED IN 72mm WIDE TAPE AND PLASTIC REEL.
- 11 CONTACTS: 0.00076 [0.00030] MINIMUM GOLD ON MATING AREA, 0.00064 [0.00025] MINIMUM SEMI-BRIGHT NICKEL ON MATING AREA, 0.00254 [0.00100] MINIMUM MATTE TIN ON SOLDER TAIL, ALL OVER 0.00127 [0.00050] MINIMUM MATTE NICKEL.
- 12 SHIELD: 0.00076 [0.00030] MINIMUM GOLD IN LOCALIZED PLATING AREA "A", 0.00013 [0.00005] MINIMUM GOLD IN LOCALIZED PLATING AREA "B", ALL OVER 0.00127 [0.00050] MINIMUM MATTE NICKEL.

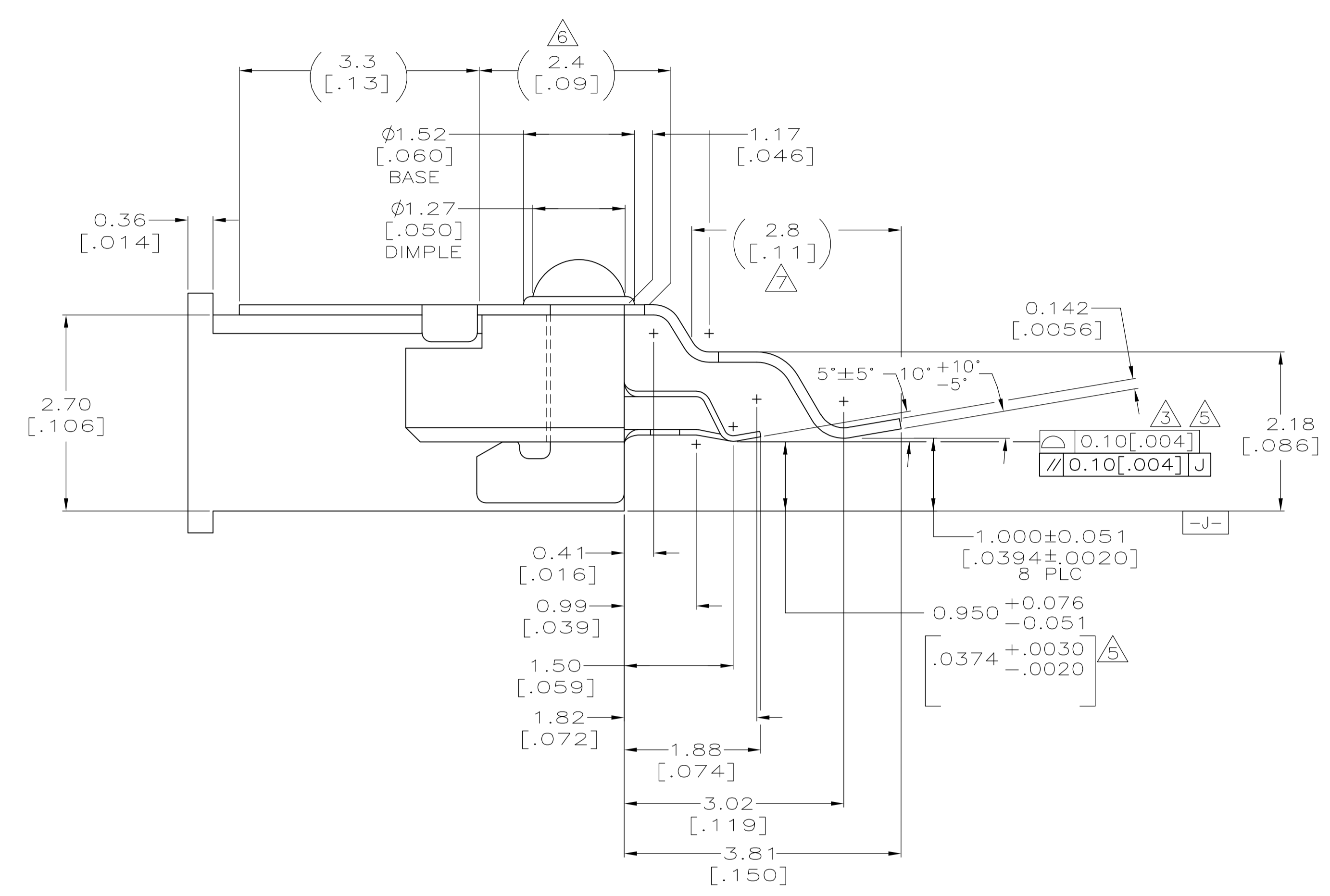


SUGGESTED PC BOARD LAYOUT

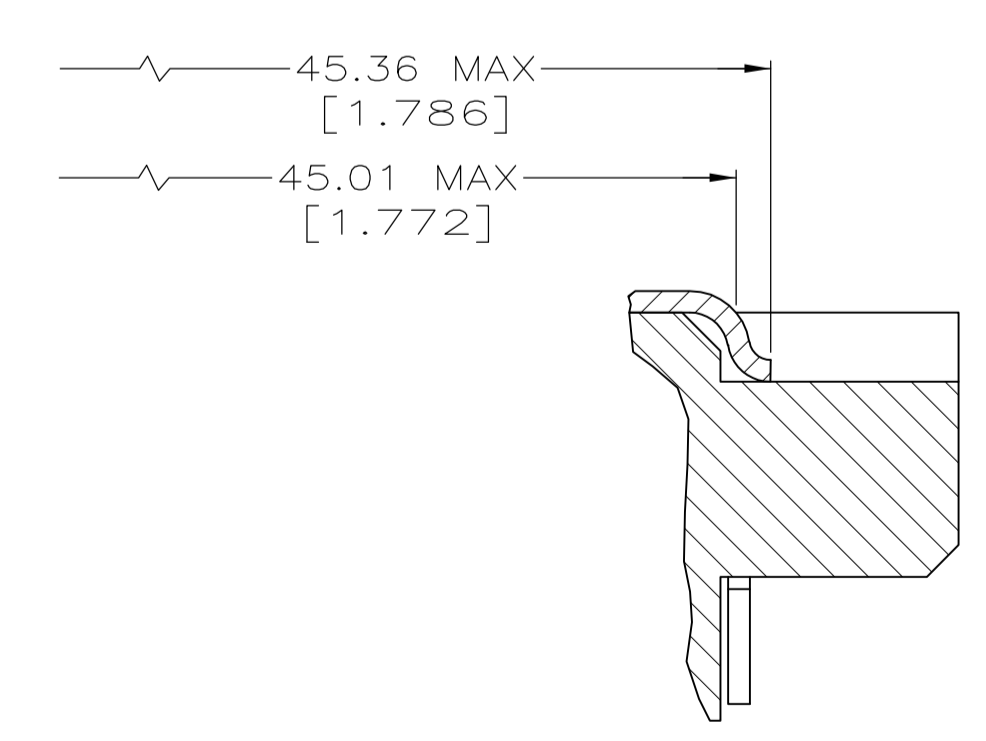
**COPYRIGHT 2005
 TYCO ELECTRONICS CORP
 ALL RIGHTS RESERVED**

SUPERSEDED BY 5146777-5	9	5146777-5
	10	5146777-4
	PACKAGING	PART NUMBER

THIS DRAWING IS A CONTROLLED DOCUMENT.		DIN G. ATTADIA - 02-21-05		Tyco Electronics Corporation	
DIMENSIONS: mm[inches]		CHK D. GORENC 02-21-05		Tyco Electronics Corporation	
TOLERANCES UNLESS OTHERWISE SPECIFIED:		APVD M. WALMSLEY 02-21-05		Harrisburg, PA 17105-3608	
0 PLC ± -	1 PLC ± -	NAME		RECEPTACLE ASSEMBLY, SMT, 68 POSN, 6mm/.236 IN, 0.41mm/.016 INCH OFFSET, AMP PC CARDBUS	
2 PLC ± ± 0.13[.005]	3 PLC ± -	PRODUCT SPEC		APPLICATION SPEC	
4 PLC ± -	ANGLES ± °	SIZE		CAGE CODE	
MATERIAL		WEIGHT		DRAWING NO	
FINISH		CUSTOMER DRAWING		SCALE	
1 2		11 12		A1 00779 C=5146777	
		SHEET		REV	
		6:1		1 OF 2 A	



VIEW X-X
SCALE 20:1



SECTION A-A
SCALE 20:1

**COPYRIGHT 2005
 TYCO ELECTRONICS CORP
 ALL RIGHTS RESERVED**

THIS DRAWING IS A CONTROLLED DOCUMENT.		DIN G. ATTADIA - 02-21-05	Tyco Electronics Corporation Harrisburg, PA 17105-3608	
DIMENSIONS: mm[inches]		CHK D. GORENC - 02-21-05	APVD M. WALSMLEY - 02-21-05	
TOLERANCES UNLESS OTHERWISE SPECIFIED:		NAME RECEPTACLE ASSEMBLY, SMT, 68 POSN, 6mm/.236 IN, 0.41mm/.016 INCH OFFSET, AMP PC CARDBUS		
0 PLC ± -	1 PLC ± -	PRODUCT SPEC		
2 PLC ± 0.13[.005]	3 PLC ± -	APPLICATION SPEC		
4 PLC ± -	ANGLES ± °	SIZE A1 00779 C=5146777		
MATERIAL SEE SHEET 1	FINISH SEE SHEET 1	WEIGHT -	RESTRICTED TO -	SCALE 6:1 SHEET 2 OF 2 REV A
CUSTOMER DRAWING				