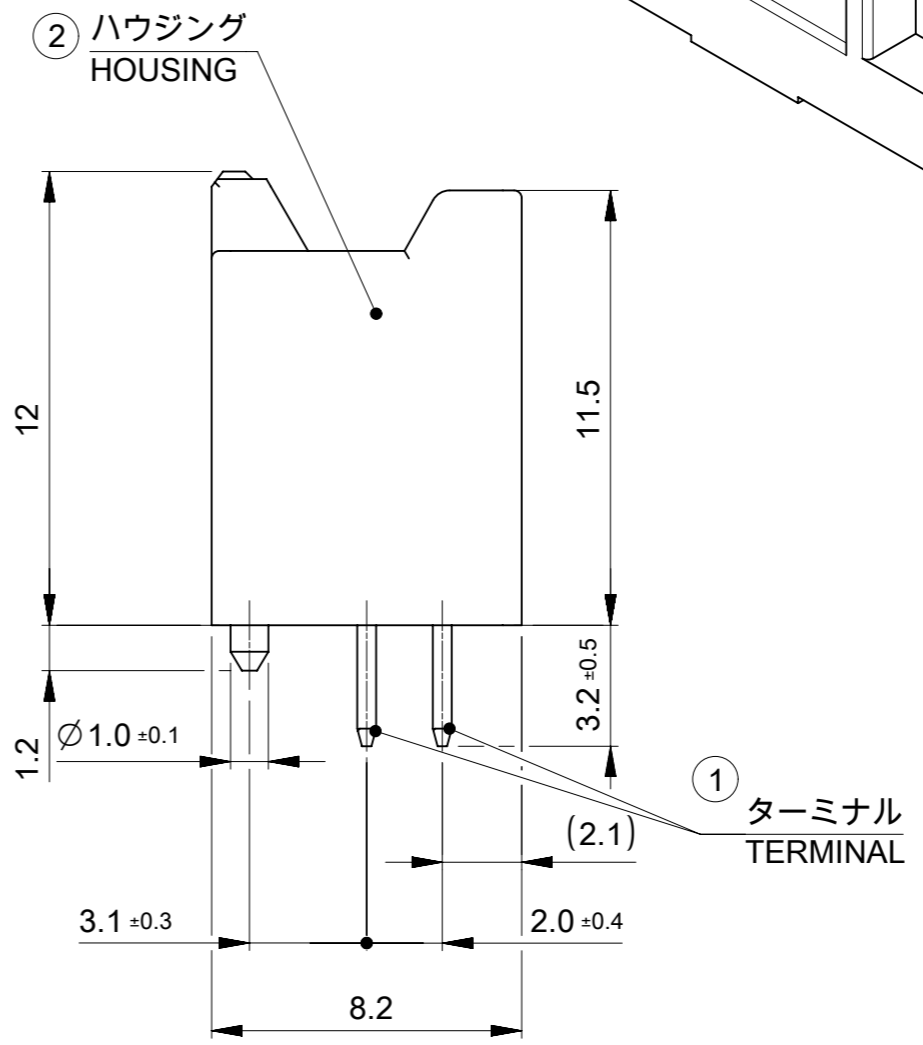




TABLE 1



9.2	38	42	40
9.2	36	40	38
9.2	34	38	36
9.2	32	36	34
9.2	30	34	32
9.2	28	32	30
9.2	26	30	28
9.2	24	28	26
9.2	22	26	24
9.2	20	24	22
9.2	18	22	20
9.2	16	20	18
9.2	14	18	16
9.2	12	16	14
9.2	10	14	12
7.3	8	12	10
C	B	A	極数 CIRCUIT SIZE

番号 No.	部品 PART	材質 MATERIAL
①	ターミナル TERMINAL	黄銅, BRASS
	コンタクト CONTACT	銅めっき 1.0 micro-meter MIN COPPER PLATING 1.0 micro-meter MIN
	テール SOLDER TAIL	無光沢錫めっき(リフロー処理) 1.0 micro-meter MIN MATTE TIN PLATING (REFLOW TREATMENT) 1.0 micro-meter MIN
②	ハウジング HOUSING	ポリアミド(PA)ガラス入り, UL94V-0, 色: SEE CHART POLYAMIDE(PA) GLASS FILLED, UL94V-0, COLOR : SEE CHART

THIS DRAWING CONTAINS INFORMATION THAT IS PROPRIETARY TO MOLEX ELECTRONIC TECHNOLOGIES, LLC AND SHOULD NOT BE USED WITHOUT WRITTEN PERMISSION

DIMENSION UNITS	SCALE	CURRENT REV DESC:		
mm	NTS			
GENERAL TOLERANCES (UNLESS SPECIFIED)				
ANGULAR TOL	± 3.0 °			
4 PLACES	± 0.2	EC NO: 732484		
3 PLACES	± 0.2	DRWN: SNAKAMURA08	2022/12/15	
2 PLACES	± 0.2	CHK'D: KOMURAKAMI	2023/03/03	
1 PLACE	± 0.2	APPR: SAKIYAMA	2023/03/03	
0 PLACES	± 0.2	INITIAL REVISION:		
DRAFT WHERE APPLICABLE MUST REMAIN WITHIN DIMENSIONS		DRWN: SNAKAMURA08	2019/05/09	
THIRD ANGLE PROJECTION		APPR: KOMURAKAMI	2019/05/24	
DRAWING	SERIES	MATERIAL NUMBER	CUSTOMER	SHEET NUMBER
A3-SIZE	501645	5016450000-SD	GENERAL	1 OF 3

DOCUMENT NUMBER: 5016450000-SD
DOC TYPE: PSD
DOC PART: 000
REVISION: E

PRODUCT CUSTOMER DRAWING

DOCUMENT NUMBER: 5016450000-SD
DOC TYPE: PSD
DOC PART: 000
REVISION: E

SEE SHEET 3

NOTES.

- 1. 材料及び仕上げ(めっき仕様) : TABLE 1 参照
MATERIAL AND FINISHES : SEE TABLE 1
- 2. 製品仕様書 : PS-501646-001
PRODUCT SPECIFICATION:PS-501646-001
- 3. 嵌合相手:
MATES WITH:

リセプタクルハウジング RECEPTACLE HOUSING	501646 SERIES	
圧着端子 RECEPTACLE CRIMP TERMINAL	AWG #22-26 錫めっき AWG #22-26 TIN PLATING	501647 SERIES
	AWG #26-28 錫めっき AWG #26-28 TIN PLATING	501648 SERIES

- 4. アプリケーション仕様書(コネクタ取扱い説明書) : 5016460000 PS A01
APPLICATION SPECIFICATION(CONNECTOR MANNUAL): 5016460000 PS A01
- 5. 本製品は錫めっき品です。
THIS PRODUCT IS A TIN PLATING.
- 6. 極数/2 = 偶数に適応
APPLY FOR CIRCUIT SIZE / 2 =EVEN
- 7. ターミナルに錫めっきを使用している為、外観に摺動痕が付く場合があります。
THE WOUND OF FRICTION MIGHT ADHERE TO EXTERNALS
BECAUSE THE TIN PLATING IS USED FOR TERMINAL.
- 8. 梱包仕様書: SPK-501645-001
PACKING INFORMATION : SPK-501645-001
- 9. 発注番号 : SHEET 3 参照
ORDER No. : PLEASE REFER TO SHEET 3 FOR PRODUCT LIST

501645 **2*

極数 CIRCUIT SIZE	ハウジングカラー HOUSING COLOR
	0:ナチュラル NATURAL (白 WHITE)
	1:黒 BLACK
	2:赤 RED
	4:青 BLUE
	6:緑 GREEN



嵌合状態図
MATED CONNECTORS



基板取付穴推奨寸法(マウント面)
POLARIZED RECOMMENDED PCB LAYOUT HOLE DIMENSION (MOUNTING SIDE)
参考基板厚 t=1.2~1.6
REFERENCE PCB THICKNESS t=1.2~1.6

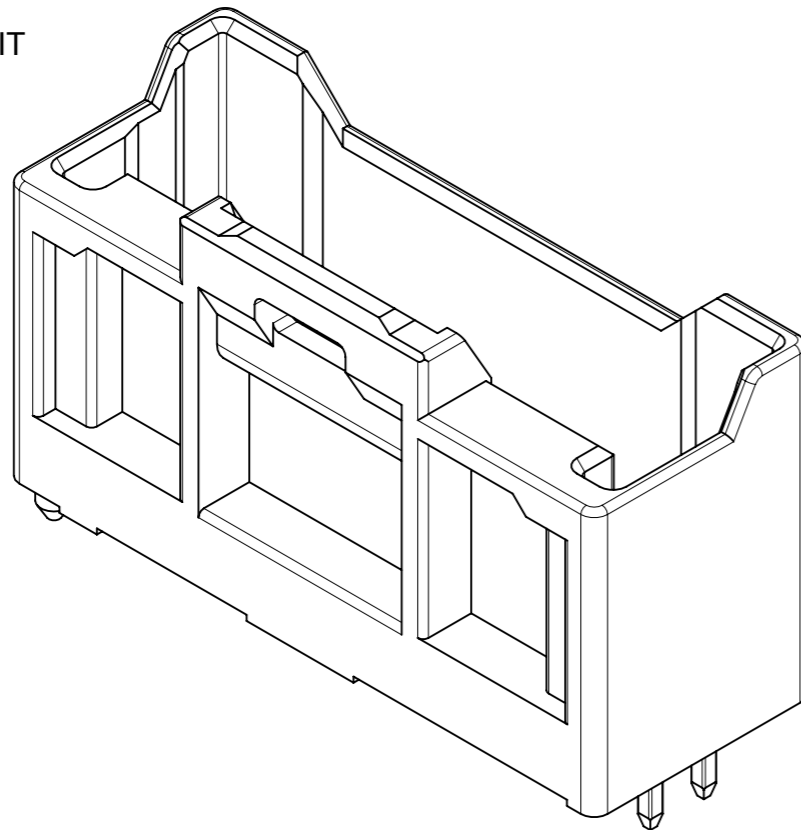
THIS DRAWING CONTAINS INFORMATION THAT IS PROPRIETARY TO MOLEX ELECTRONIC TECHNOLOGIES, LLC AND SHOULD NOT BE USED WITHOUT WRITTEN PERMISSION									
DIMENSION UNITS mm		SCALE NTS		CURRENT REV DESC:				molex	
GENERAL TOLERANCES (UNLESS SPECIFIED)		ANGULAR TOL ± 3.0 °		EC NO: 732484 DRWN: SNAKAMURA08 2022/12/15 CHK'D: KOMURAKAMI 2023/03/03 APPR: SAKIYAMA 2023/03/03					
4 PLACES ± 0.2		3 PLACES ± 0.2		INITIAL REVISION: DRWN: SNAKAMURA08 2019/05/09 APPR: KOMURAKAMI 2019/05/24				IGRID 2.0 PLUG ASSEMBLY VERTICAL TIN PLATING	
2 PLACES ± 0.2		1 PLACE ± 0.2		PRODUCT CUSTOMER DRAWING				DOCUMENT NUMBER 5016450000-SD	
0 PLACES ± 0.2		DRAFT WHERE APPLICABLE MUST REMAIN WITHIN DIMENSIONS		THIRD ANGLE PROJECTION		DRAWING A3-SIZE		SERIES 501645	
MATERIAL NUMBER SEE SHEET 3		CUSTOMER GENERAL		SHEET NUMBER 2 OF 3		DOC TYPE PSD		DOC PART 000	
REVISION E									

製品形状
PRODUCT SHAPE

10, 12極
10, 12CIRCUIT



14 - 40 極
14 - 40 CIRCUIT



△ 9 製品一覧 PRODUCT LIST

緑: GREEN	青: BULE	赤: RED	黒 : BLACK	ナチュラル : NATURAL (白 : WHITE)	HOUSING COLOR
501645 4026	501645 4024	501645 4022	501645 4021	501645 4020	40
↑ 3826	↑ 3824	↑ 3822	↑ 3821	↑ 3820	38
3626	3624	3622	3621	3620	36
3426	3424	3422	3421	3420	34
3226	3224	3222	3221	3220	32
3026	3024	3022	3021	3020	30
2826	2824	2822	2821	2820	28
2626	2624	2622	2621	2620	26
2426	2424	2422	2421	2420	24
2226	2224	2222	2221	2220	22
2026	2024	2022	2021	2020	20
1826	1824	1822	1821	1820	18
1626	1624	1622	1621	1620	16
1426	1424	1422	1421	1420	14
↓ 1226	↓ 1224	↓ 1222	↓ 1221	↓ 1220	12
501645 1026	501645 1024	501645 1022	501645 1021	501645 1020	10
発注番号 ORDER No.					極数
PACKAGING STYLE : TRAY					CIRCUIT SIZE

THIS DRAWING CONTAINS INFORMATION THAT IS PROPRIETARY TO MOLEX ELECTRONIC TECHNOLOGIES, LLC AND SHOULD NOT BE USED WITHOUT WRITTEN PERMISSION

DIMENSION UNITS mm	SCALE NTS	CURRENT REV DESC:		molex		
GENERAL TOLERANCES (UNLESS SPECIFIED)		EC NO: 732484				
ANGULAR TOL ± 3.0 °	4 PLACES ± 0.2	DRWN: SNAKAMURA08	2022/12/15	PRODUCT CUSTOMER DRAWING		
3 PLACES ± 0.2	2 PLACES ± 0.2	CHK'D: KOMURAKAMI	2023/03/03	DOCUMENT NUMBER		
1 PLACE ± 0.2	0 PLACES ± 0.2	APPR: SAKIYAMA	2023/03/03	5016450000-SD		
DRAFT WHERE APPLICABLE MUST REMAIN WITHIN DIMENSIONS		INITIAL REVISION: DRWN: SNAKAMURA08 APPR: KOMURAKAMI		2019/05/09	DOC TYPE	DOC PART
THIRD ANGLE PROJECTION		DRAWING	SERIES	MATERIAL NUMBER	CUSTOMER	REVISION
A3-SIZE		A3-SIZE	501645	SEE CHART	GENERAL	000 E
						SHEET NUMBER 3 OF 3