

MODEL 711 - INCREMENTAL SHAFT ENCODER



FEATURES

The original industry-standard Cube
 Versatile housing styles
 Unidirectional output
 Resolutions available to 10,000 CPR

The Model 711 Accu-Coder™ is the original, industry standard cube encoder. Designed for compatibility with most programmable controllers, electronic counters, motion controllers, and motor drives, it is ideally suited for applications that require a simple, symmetrical, unidirectional square wave output in a single channel format. Critical performance specifications for the most popular resolutions and advanced Opto-ASIC circuitry – a single chip design that eliminates many board level components – increase the reliability of an already dependable and durable encoder. With new options continually being added, the Model 711 excels in a wide variety of industrial applications.

COMMON APPLICATIONS

Feedback for counters, PLCs & motors, measuring for packaging, filling & material handling machines, wire winding, film extrusion

MODEL 711 ORDERING GUIDE

Blue type indicates price adder options. Not all configuration combinations may be available. Contact Customer Service for details.

711	0256	S	HD1	6	S	S	N
MODEL	OUTPUT TYPE	HOUSING TYPE		SHAFT DIAMETER⁴	CONNECTOR TYPE⁹		MATING CONNECTOR
711 Unidirectional Cube (Single Channel)	S Pull-Up Resistor O Open Collector PP Push-Pull HV Line Driver	S 2.25" Standard housing S1 2.25" Standard housing with IP50 felt shaft seal ¹ IND12 Industrial housing with IP66 shaft seal HD1 3" x 3" x 6" Heavy Duty housing ² HD3 Heavy Duty housing with conduit connector & terminal strip HD5 Heavy Duty housing with 10 mm outer bearing ² HD10 Heavy Duty housing with ultra heavy duty bearings, 0.625" or 0.500" shaft ² HD12 Heavy Duty housing with IP66 outer shaft seal ² HD14 Heavy Duty housing with IP66 shaft seal and with conduit connector & terminal strip 5PY Standard Cube with 5PY adaptor ³ EX Explosion-proof housing	4 1/4", 0.250" ⁵ 5 5/16", 0.3125" ⁶ 6 3/8", 0.375" 8 1/2", 0.500" ⁷ 10 5/8", 0.625" ⁷	S Standard 6-pin MS Y 7-pin MS J 5-pin M12 (12 mm) ⁸ K 8-pin M12 (12 mm) ⁸ G Gland nut – 18" cable ¹⁰ T Solder or screw terminal ¹¹ B Solder terminal with conduit box	S Single D Double ended ⁸	N No connector Y Yes	

CYCLES PER REVOLUTION (CPR)
1-10,000
 See CPR Options below for available resolutions. (1271 and above is a price adder)

MODEL 711 CPR OPTIONS

0001 thru 0189*	0193	0198	0200	0205	0210	0240
0250	0256	0276	0298	0300	0305	0308
0333	0336	0350	0360	0400	0480	0500
0580	0597	0600	0700	0720	0800	0960
1024	1200	1250	1270	1500	1800*	2000
2500	3000	3600*	4096	5000	6000	7200*
10,000						8192

*Contact Customer Service for availability.
 Contact Customer Service for other disk resolutions. Not all disk resolutions available with all output types.

- NOTES:**
- Available with 0.250" shaft only.
 - Only available with 6-pin MS or Screw Terminal Connector Types.
 - Only available with 5/16", 0.3125" shaft.
 - Contact Customer Service for custom shaft lengths and diameters.
 - Standard housing only.
 - Standard or 5PY housing only.
 - HD10 housing only.
 - Not available for HD or EX housings.
 - For mating connectors, cables, and cordsets see [Accessories at encoder.com](#). For Connector Pin Configuration Diagrams, see Technical Information or see [Connector Pin Configuration Diagrams at encoder.com](#).
 - For non-standard cable lengths, add a forward slash (/) plus cable length expressed in feet. Example: G/6 = 6 feet of cable. For CPR > 2500. Standard cable length only.
 - Screw terminals available for HD and EX housings. Solder terminals available for S and S1 housings.

MODEL 711

MODEL 711 SPECIFICATIONS

Common to all Cube Housing Styles

Electrical

Input Voltage.....	4.75 to 28 VDC max for temperatures up to 85° C 4.75 to 24 VDC for temperatures between 85° C and 100° C.
Input Current.....	80 mA maximum with no output load
Input Ripple.....	100 mV peak-to-peak at 0 to 100 kHz
Output Format.....	Incremental – Square wave with single channel
Output Types.....	Open Collector – 250 mA max per channel Pull-Up – Open Collector with 1.5K ohm internal resistor, 250 mA max per channel Push-Pull – 20 mA max per channel Line Driver – 20 mA max per channel (Meets RS 422 at 5 VDC supply)
Max Frequency.....	1 to 2500 CPR 125 kHz 2501 to 5000 CPR 250 kHz 5001 to 10,000 CPR 500 kHz

Electrical Protection.....	Reverse voltage and output short circuit protected. NOTE: Sustained reverse voltage may result in permanent damage.
Symmetry.....	180° (±18°) electrical
Rise Time.....	Less than 1 microsecond
Accuracy.....	Within 0.05° mechanical from one cycle to any other cycle, or 3 arc minutes.

Mechanical

Max Speed.....	6000 RPM. Higher shaft speeds achievable, contact Customer Service.
Shaft Material.....	303 Stainless Steel
Housing.....	Black non-corrosive finished 6063-T6 aluminum
Bearings.....	Precision ABEC ball bearings

Environmental

Operating Temp.....	0° to 85° C
Storage Temp.....	-25° to 85° C
Humidity.....	98% RH non-condensing
Vibration.....	10 g @ 58 to 500 Hz
Shock.....	50 g @ 11 ms duration

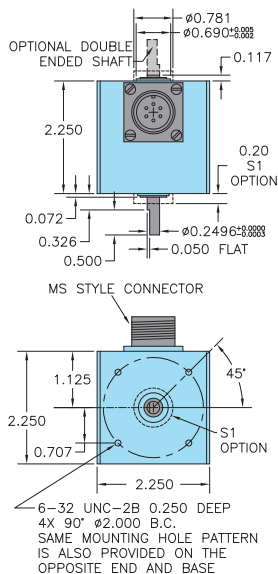
STANDARD CUBE HOUSING (S, S1) SPECIFICATIONS

Mechanical

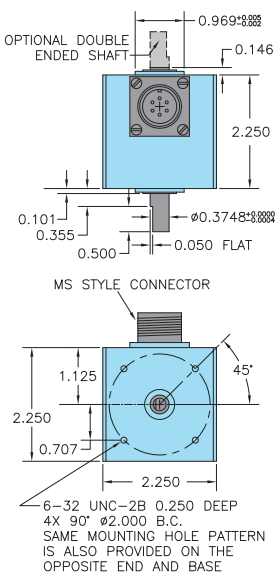
Shaft Type.....	Single or double-ended (specify choice)
Radial Loading.....	15 lb maximum (0.250" diameter shaft) 40 lb maximum (0.375" diameter shaft)
Axial Loading.....	10 lb maximum (0.250" diameter shaft) 30 lb maximum (0.375" diameter shaft)
Starting Torque.....	0.13 oz-in typical for 0.250" shaft 0.38 oz-in typical for 0.375" shaft
Moment of Inertia.....	6.5 x 10 ⁻⁶ oz-in-sec ²
Weight.....	10 oz for standard housing

STANDARD CUBE HOUSING (S, S1)

Cube Housing with 1/4" Shaft (4)



Cube Housing with 3/8" Shaft (6)



MODEL 711

WAVEFORM DIAGRAM

OUTPUT A 

WIRING TABLE

For EPC-supplied mating cables, refer to wiring table provided with cable.

Function	Gland Cable [†] Wire Color	5-pin M12	8-pin M12	10-pin MS	7 pin MS HV	7-pin MS O,S PP	6-pin MS HV, No Index	6-pin MS O,S PP	Term. Block HV, No Index	Term. Block O,S HV,PP
Com	Black	3	7	F	F	F	A	A,F	1	1,6
+VDC	Red	1	2	D	D	D	B	B	2	2
A	White	4	1	A	A	A	C	D	3	4
A'	Brown	--	3	H	C	--	D	--	4	--
Case	--	--	--	G	G	G	--	--	--	--
Shield	Bare	--	--	--	--	--	--	--	--	--

[†]Standard cable is 24 AWG conductors with foil and braid shield.

CUBE PIVOT MOUNTING BRACKETS

176430-01 Single Pivot

176431-01 Double Pivot

176430-02 Spring Loaded Single Pivot

176431-02 Spring Loaded Double Pivot

Encoder sold separately.

Dual Wheel



Single Wheel (shown with Torsion Spring)



CUBE HOUSINGS

INDUSTRIAL CUBE HOUSING (IND12)

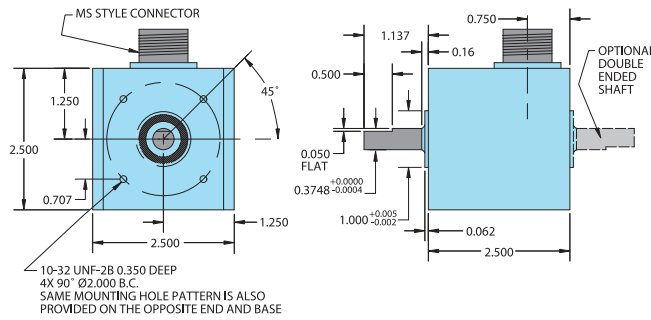
This more robust unit meets requirements between Standard and Heavy Duty housings while retaining the Cube design. The Industrial 12 (IND12) model features an IP66 shaft seal. The tough, sealed aluminum housing has a wall thickness of 0.187" and offers greater protection from wash down, sprays, dust, moisture, shock, vibration, and other hazards found in industrial environments.

Industrial Cube Housing (IND12) Specifications

Refer to all Standard Cube Housing specifications except as follows:

Mechanical

Shaft Size	0.375" diameter
Shaft Type.....	Single- or double-ended shaft available
Radial Loading.....	40 lb maximum
Axial Loading.....	30 lb maximum
Starting Torque.....	3 oz-in starting torque w/IP66 shaft seal



All dimensions are in inches with a tolerance of +0.005" or +0.01" unless otherwise specified



HEAVY DUTY CUBE HOUSING (HD12)

The Heavy Duty housing uses a separate 0.375" diameter external shaft and bearing assembly to rotate the shaft of an internally mounted Cube Housing. This provides mechanical isolation from external loads and stress. A flexible coupling between the external shaft and the encoder protects the internal unit from axial and radial loading. The 0.250" aluminum walls protect the encoder from external shock, vibration, and the outside environment.

Heavy Duty Housing Options

HD1	Heavy Duty 3" x 6" housing
HD3	Heavy Duty w/conduit connector (threaded for 0.500" NPT Conduit) and terminal strip
HD5	Heavy Duty w/10 mm outer bearing
HD12*	Heavy Duty w/IP66 rated outer shaft seal
HD14*	Heavy Duty w/IP66 rated outer shaft seal, conduit connector (threaded for 0.500" NPT Conduit), and terminal strip

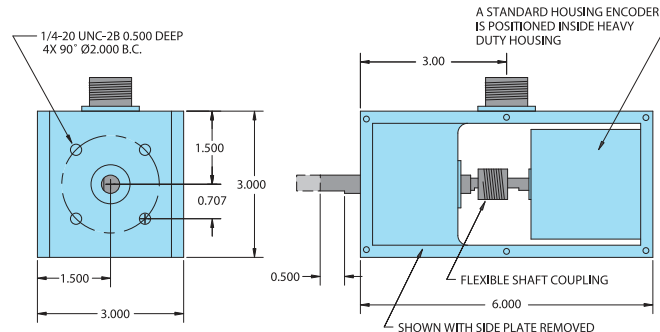
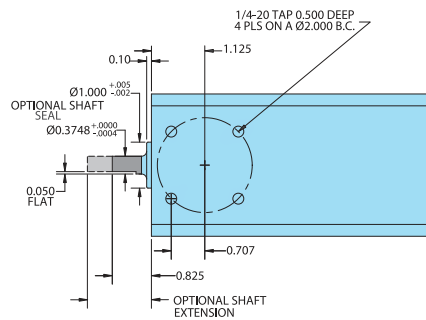
*These units have an outer boss diameter of 1.000"

Heavy Duty Cube Housing (HD12) Specifications

Refer to all cube specifications except as follows:

Mechanical

Max Speed.....	6000 RPM
Shaft Size	0.375"
Rotation	Either direction
Radial Loading.....	40 lb maximum (50 lb for HD 5)
Axial Loading.....	30 lb maximum (35 lb for HD 5)
Bearings	Precision ABEC ball bearings
Starting Torque.....	1 oz-in; 3 oz-in w/IP66 seal
Mounting	Tapped holes face and base
Weight	3.25 lb



CUBE HOUSINGS

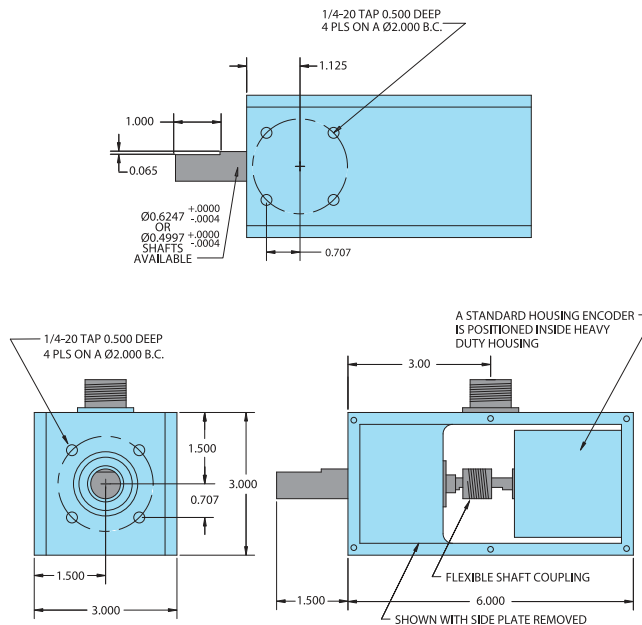
ULTRA HEAVY DUTY CUBE HOUSING (HD10)

The HD10 Ultra Heavy Duty encoder is designed for use in applications with severe shaft loading conditions. The HD10 offers two shaft sizes: 0.500" and 0.625". Shaft material is 303 stainless steel. Bearings are conservatively rated at 95 lb radial and 60 lb axial shaft loading. IP66 shaft seal is standard on all units. The HD10 Ultra Heavy Duty housing uses a larger external shaft and R10 bearing assembly to rotate the shaft of an internally mounted Cube Housing. This provides mechanical isolation from external loads and stress. A flexible coupling between the external shaft and the encoder protects the internal unit from axial and radial loading. The 0.250" aluminum walls protect the encoder from external shock, vibration, and the outside environment.

Ultra Heavy Duty Cube Housing (HD10) Specifications

Mechanical

Max Speed.....	6000 RPM
Shaft Size	0.500" or 0.625"
Rotation	Either direction
Radial Loading.....	95 lb operating
Axial Loading.....	60 lb operating
Bearings.....	ABEC precision ball bearings
Bearing Life.....	15,000 hours at rated load
Starting Torque.....	3 oz-in IP66 rated
Mounting	Tapped holes face and base
Weight	3.85 lb



All dimensions are in inches with a tolerance of +0.005" or +0.01" unless otherwise specified

CUBE HOUSINGS

EXPLOSION-PROOF HOUSING (EX)

An explosion-proof housing is available for installing the Cube Series Accu-Coder™ in hazardous locations. The Cube Series encoder is mounted within the explosion-proof housing and is coupled to the 0.375" shaft assembly by a flexible shaft coupling. This decreases radial and axial loading on the internal encoder shaft and bearings to ensure long life. Electrical connection to the Accu-Coder™ is by an internal barrier terminal strip. A threaded hole for 0.500" NPT conduit is provided.

Explosion-Proof Housing (EX) Specifications

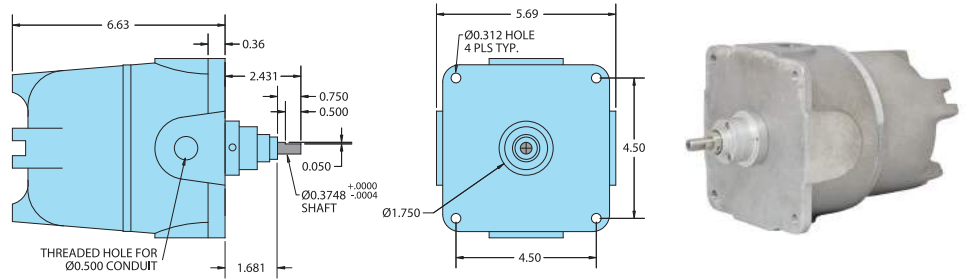
The explosion-proof housing is designed to meet the following:

- NEC Class 1, Groups C and D
- NEC Class 2, Groups E, F, and G
- UL Standard 1203
- Class 1, Division 1, Groups C and D
- Class 2, Division 1, Groups E, F, and G
- CSA Standard C 22.2 No. 30-M 1986
- NEMA 7 and NEMA 9

Refer to all cube specifications except as follows:

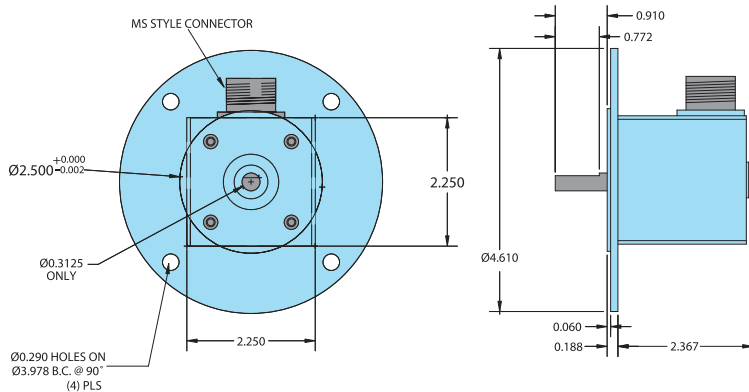
Mechanical

- Max Speed.....4000 RPM
- Radial Loading.....30 lb operating
- Axial Loading.....10 lb operating
- Weight6 lb
- FinishUnpainted Aluminum



CUBE SERIES OPTIONAL 5PY ADAPTOR (175443)

The all aluminum optional 5PY adaptor allows any standard housing Cube Series encoder to replace DC tachometer technology. The 5PY adaptor is interchangeable with any 5PY tach generator.



All dimensions are in inches with a tolerance of +0.005" or +0.01" unless otherwise specified.



Order standard housing Cube Series Accu-Coder™ with 5/16" shaft and specify part #175443.