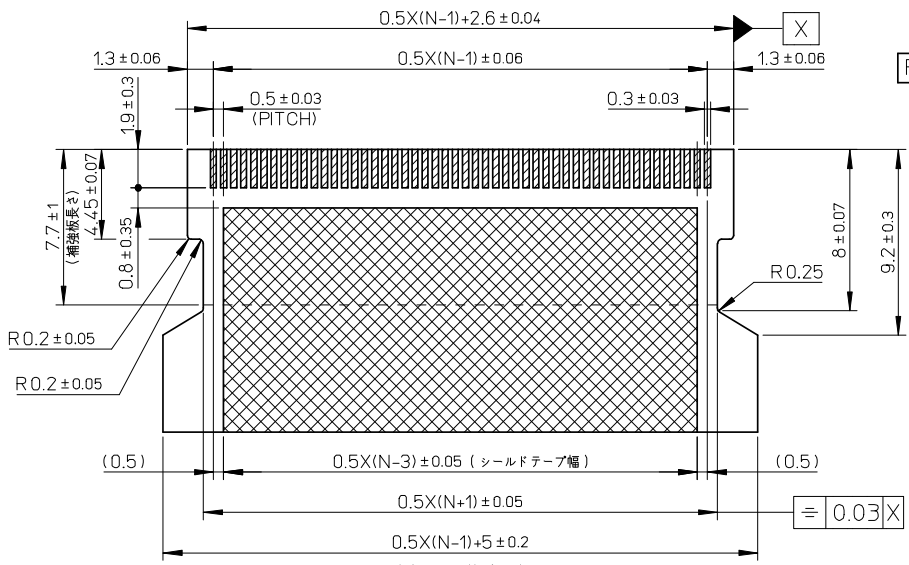
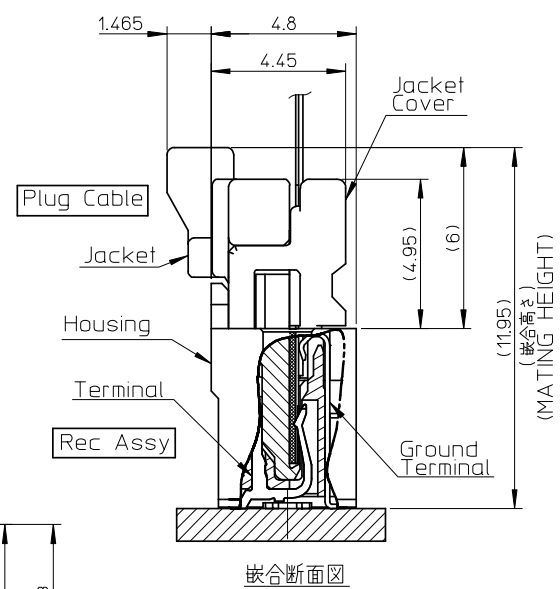
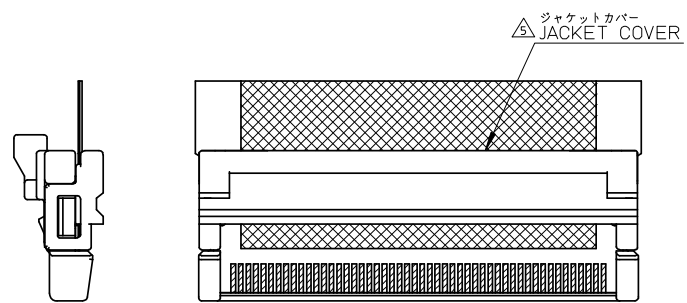
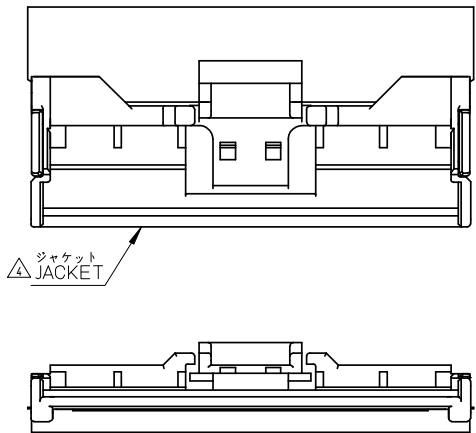


5	20	27.2	29.1	24.5	33.1	501786-5081	501786-5051	50
QTY of Term	E	D	C	B	A	EMBOSSED TAPE	MATERIAL NO.	極数
						ORDER No. オーダー番号		

RELEASED EC NO: O	2008/07/07 DRWN:MNABEI	2008/07/09 CHKD:K.MORIKAWA	2008/07/10 APPR:KMORIKAWA	GENERAL TOLERANCES (UNLESS SPECIFIED)		DIMENSION STYLE MM ONLY		SCALE 1:1	DESIGN UNITS METRIC	THIRD ANGLE PROJECTION
	10 UNDER		±0.2	DRAWN BY M.NABEI		DATE '08/07/07		TITLE 0.5 FFC TO BOARD CONN REC HSG ASSY (ST)		
	10 OVER 30 UNDER		±0.25	CHECKED BY K.MORIKAWA		DATE '08/07/07		MOLEX INCORPORATED		
	30 OVER		±0.3	APPROVED BY H.HIRATA		DATE '08/07/07		DOCUMENT NO. SD-501786-010		
ANGULAR		±1 °	DRAFT WHERE APPLICABLE MUST REMAIN WITHIN DIMENSIONS		MATERIAL NO. SEE TABLE		SHEET NO. 1 OF 2			
SIZE A3		THIS DRAWING CONTAINS INFORMATION THAT IS PROPRIETARY TO MOLEX INCORPORATED AND SHOULD NOT BE USED WITHOUT WRITTEN PERMISSION								

ELV AND RoHS COMPLIANT.



適合FFC推奨寸法  
APPLICABLE FFC  
RECOMMENDED DIMENSION

(仕上がり厚さ: コネクタ接点部 0.3±0.03)  
シールド部 0.44±0.05

コネクタ接点部  
シールド部

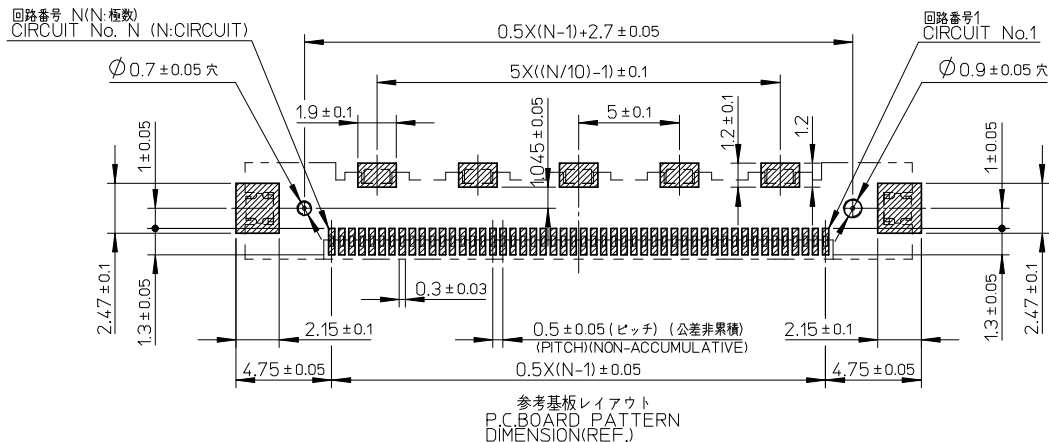
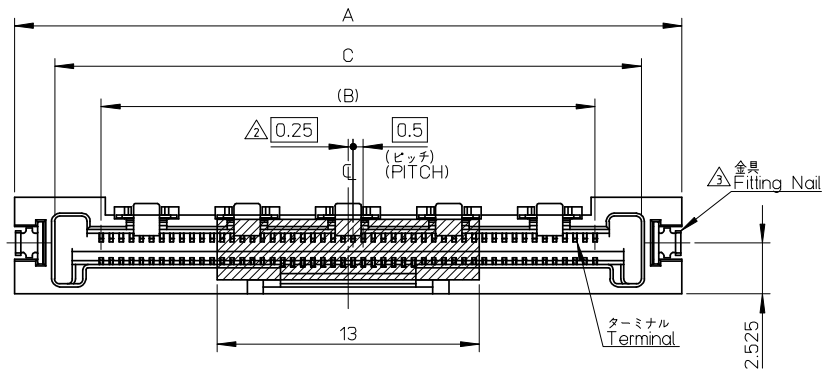
注記  
NOTE

1. 使用材料 MATERIAL

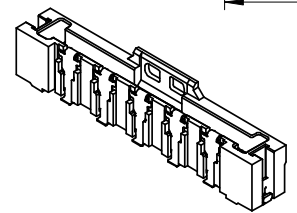
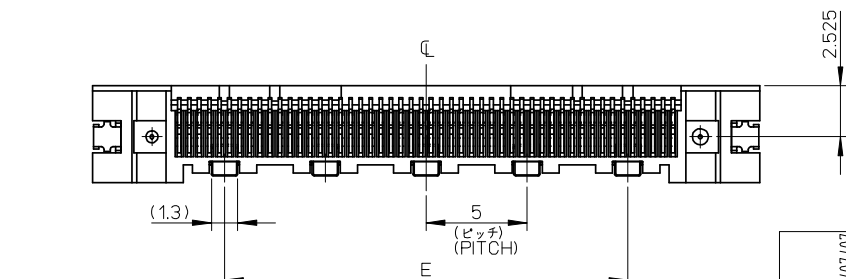
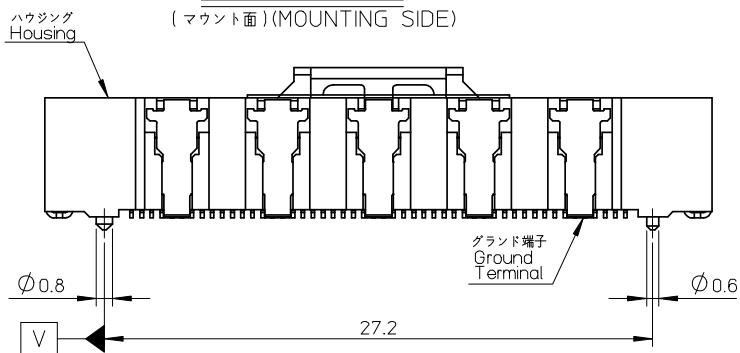
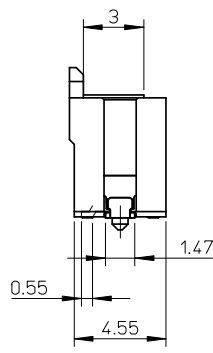
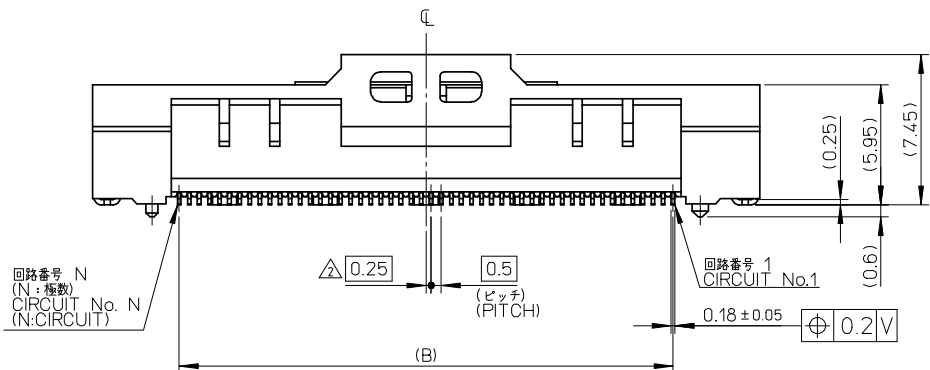
- ハウジング HOUSING : 液晶ポリマー (LCP), ガラス充填, UL94V-0 色: 黒色  
LIQUID CRYSTAL POLYMER(LCP), GLASS FILLED, UL94V-0 COLOR: BLACK
- ターミナル TERMINAL : 銅合金 (τ=0.18)  
COPPER ALLOY (τ=0.18)
- メッキ PLATING : 銅合金 (τ=0.18)  
COPPER ALLOY (τ=0.18)
- ソルダーテール NICKEL UNDER PLATING : ニッケル下地 錫メッキ  
SOLDER TAIL NICKEL UNDER PLATING : TIN OVER NICKEL PLATING
- TAIL AREA Sn-Bi PLATING OVER NICKEL PLATING
- 金具 FITTING NAIL : 銅合金 (τ=0.25)  
ニッケル下地 錫メッキ  
FITTING NAIL NICKEL UNDER PLATING : TIN OVER NICKEL PLATING
- グラウンド端子 GROUND TERMINAL : 銅合金 (τ=0.15)  
ニッケル下地 錫メッキ  
GROUND TERMINAL NICKEL UNDER PLATING : TIN OVER NICKEL PLATING

- △ N=偶数に適用 (N: 極数)  
APPLY FOR N-EVEN (N: CIRCUIT)
- △ パターン剥離防止用金具  
FITTING NAIL FOR PREVENTION OF PEELING OF P.C.B PATTERN.
- △ 適合ジャケット: 503150-\*\*-09  
製品詳細寸法はSD-503150-001を参照下さい。  
APPLICABLE JACKET: 503150-\*\*-09  
RE DETAILED DIMENSION, SEE SD-503150-001.
- △ 適合ジャケットカバー: 503151-\*\*-09  
製品詳細寸法はSD-503151-001を参照下さい。  
APPLICABLE JACKET: 503151-\*\*-09  
RE DETAILED DIMENSION, SEE SD-503151-001.

RELEASED EC NO: 0 REV: 0	DRWN: MABEI 2008/07/07 CHKD: MORIKAWA 2008/07/09 APPR: MORIKAWA 2008/07/10 DESCRIPTION	GENERAL TOLERANCES (UNLESS SPECIFIED)		DIMENSION STYLE MM ONLY		SCALE ---	DESIGN UNITS METRIC	THIRD ANGLE PROJECTION	
		10 UNDER	±0.2	DRAWN BY M. NABEI	DATE '08/07/07	TITLE 0.5 FFC TO BOARD CONN REC HSG ASSY (ST)			
		10 OVER 30 UNDER	±0.25	CHECKED BY K. MORIKAWA	DATE '08/07/07	APPROVED BY H. HIRATA		DATE '08/07/07	
		30 OVER	±0.3	MATERIAL NO. SEE SHEET 1		DOCUMENT NO. SD-501786-010		SHEET NO. 2 OF 2	
ANGULAR ±1 °		DRAFT WHERE APPLICABLE MUST REMAIN WITHIN DIMENSIONS		THIS DRAWING CONTAINS INFORMATION THAT IS PROPRIETARY TO MOLEX INCORPORATED AND SHOULD NOT BE USED WITHOUT WRITTEN PERMISSION					



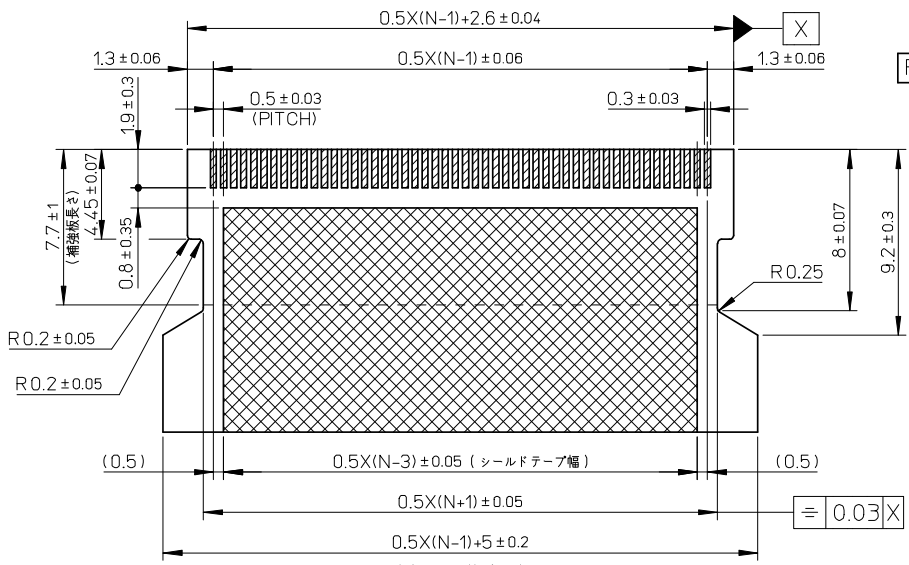
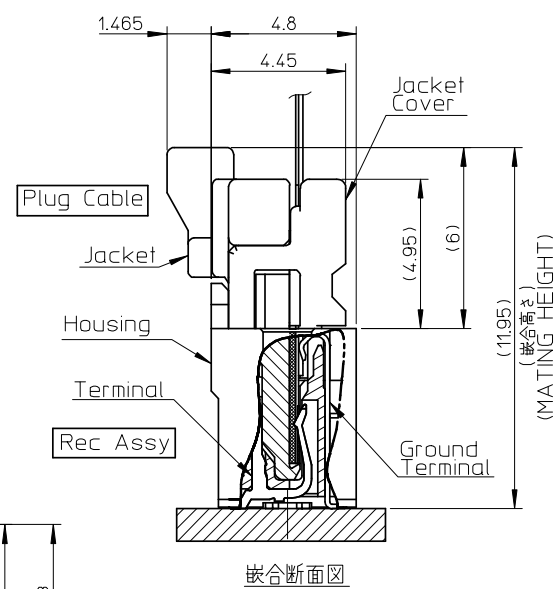
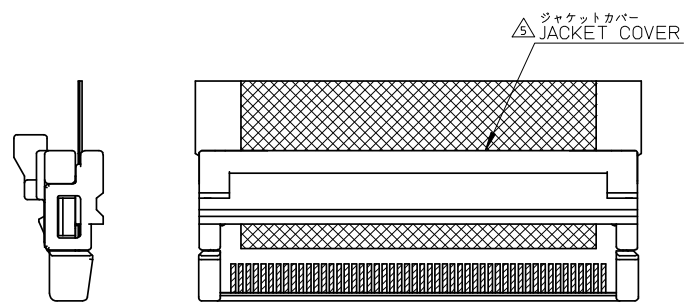
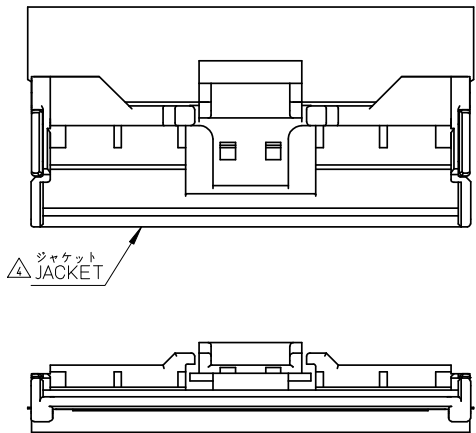
参考基板レイアウト  
PC BOARD PATTERN  
DIMENSION(REF.)  
(マウント面)(MOUNTING SIDE)



5	20	27.2	29.1	24.5	33.1	501786-5081	501786-5051	50
QTY of Term	E	D	C	B	A	EMBOSSED TAPE	MATERIAL NO.	極数
						ORDER No. オーダー番号		

RELEASED EC NO: DRWN: MABEI CHKD: K. MORIKAWA APPR: K. MORIKAWA 2008/07/07 2008/07/09 2008/07/10	GENERAL TOLERANCES (UNLESS SPECIFIED)		DIMENSION STYLE MM ONLY		SCALE 1:1	DESIGN UNITS METRIC	THIRD ANGLE PROJECTION	
	10 UNDER	±0.2	DRAWN BY	DATE	TITLE			
	10 OVER 30 UNDER	±0.25	M. NABEI	'08/07/07	0.5 FFC TO BOARD CONN REC HSG ASSY (ST)			
	30 OVER	±0.3	K. MORIKAWA	'08/07/07	MOLEX INCORPORATED			
	ANGULAR ±1 °	DRAFT WHERE APPLICABLE MUST REMAIN WITHIN DIMENSIONS	SEE TABLE		DOCUMENT NO.		SHEET NO.	
			THIS DRAWING CONTAINS INFORMATION THAT IS PROPRIETARY TO MOLEX INCORPORATED AND SHOULD NOT BE USED WITHOUT WRITTEN PERMISSION		SD-501786-010		1 OF 2	

ELV AND RoHS COMPLIANT.



適合FFC推奨寸法  
 APPLICABLE FFC  
 RECOMMENDED DIMENSION  
 (仕上がり厚さ: コネクタ接点部 0.3±0.03)  
 シールド部 0.44±0.05

コネクタ接点部  
 シールド部

注記  
 NOTE

1. 使用材料 MATERIAL

- ハウジング HOUSING : 液晶ポリマー (LCP), ガラス充填, UL94V-0 色: 黒色  
 LIQUID CRYSTAL POLYMER(LCP), GLASS FILLED,UL94V-0 COLOR:BLACK
- ターミナル TERMINAL : 銅合金(τ=0.18)  
 COPPER ALLOY(τ=0.18)
- メッキ PLATING
- ソルダーテール : ニッケル下地  
 錫ビスマスメッキ
- TAIL AREA : Sn-Bi PLATING OVER NICKEL PLATING
- 金具 FITTING NAIL : 銅合金(τ=0.25)  
 ニッケル下地 錫メッキ  
 COPPER ALLOY(τ=0.25)  
 TIN OVER NICKEL PLATING.
- グラウンド端子 GROUND TERMINAL : 銅合金(τ=0.15)  
 ニッケル下地 錫メッキ  
 COPPER ALLOY(τ=0.15)  
 TIN OVER NICKEL PLATING.

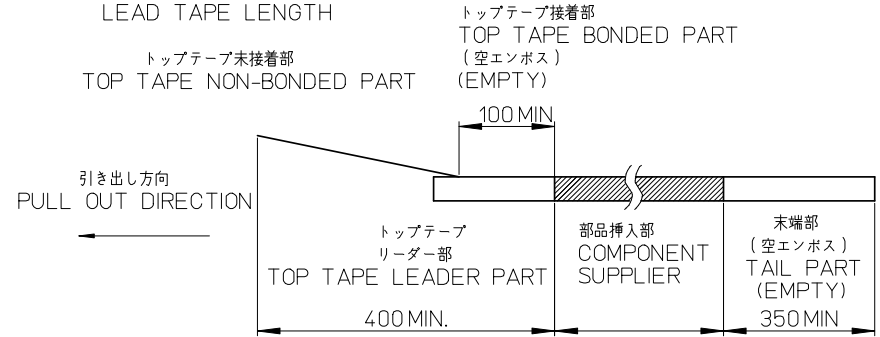
- △ N=偶数に適用 (N:極数)  
 APPLY FOR N-EVEN(N:CIRCUIT)
- △ パターン剥離止め用金具  
 FITTING NAIL FOR PREVENTION OF PEELING OF P.C.B PATTERN.
- △ 適合ジャケット: 503150-\*\*-\*\*09  
 製品詳細寸法はSD-503150-001を参照下さい。  
 APPLICABLE JACKET:503150-\*\*-\*\*09  
 RE DETAILED DIMENSION,SEE SD-503150-001.
- △ 適合ジャケットカバー: 503151-\*\*-\*\*09  
 製品詳細寸法はSD-503151-001を参照下さい。  
 APPLICABLE JACKET:503151-\*\*-\*\*09  
 RE DETAILED DIMENSION,SEE SD-503151-001.

RELEASED EC NO: O	REV	DESCRIPTION DRWN:MNABEI 2008/07/07 CHKD:K.MORIKAWA 2008/07/09 APPR:KMORIKAWA 2008/07/10	GENERAL TOLERANCES (UNLESS SPECIFIED)		DIMENSION STYLE MM ONLY		SCALE ---	DESIGN UNITS METRIC	THIRD ANGLE PROJECTION		
			10 UNDER	±0.2	DRAWN BY M.NABEI	DATE '08/07/07	TITLE 0.5 FFC TO BOARD CONN REC HSG ASSY (ST)				
			10 OVER 30 UNDER	±0.25	CHECKED BY K.MORIKAWA	DATE '08/07/07	APPROVED BY H.HIRATA		DATE '08/07/07	MOLEX INCORPORATED	
			30 OVER	±0.3	MATERIAL NO. SEE SHEET 1		DOCUMENT NO. SD-501786-010	SHEET NO. 2 OF 2			
ANGULAR ±1 °			DRAFT WHERE APPLICABLE MUST REMAIN WITHIN DIMENSIONS		SIZE A3		THIS DRAWING CONTAINS INFORMATION THAT IS PROPRIETARY TO MOLEX INCORPORATED AND SHOULD NOT BE USED WITHOUT WRITTEN PERMISSION				

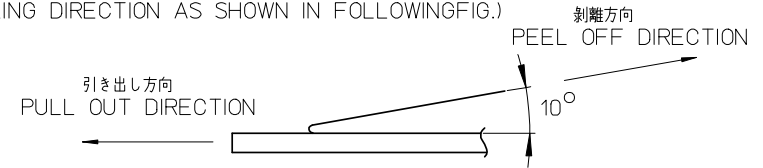
ELV AND RoHS COMPLIANT.

NOTES

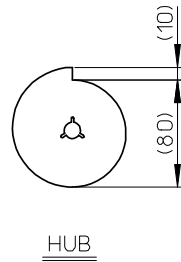
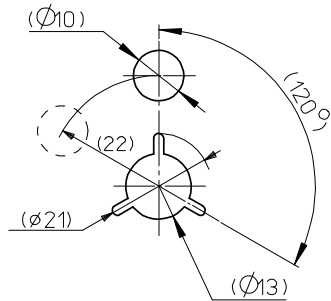
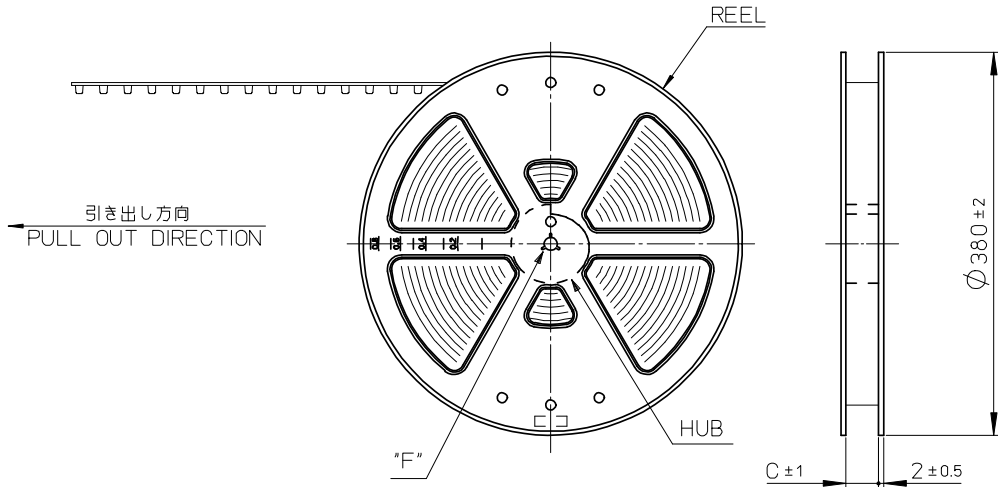
1. 梱包数量：900 個/リール  
NUMBER OF CONNECTORS:900 PCS/REEL
2. リードテープ長さ  
LEAD TAPE LENGTH



3. トップテープの剥離強度：「JES-59」参照のこと  
(剥離方向は下図参照)  
PEEL-OFF FORCE OF TOP TAPE : REFER TO JES-59  
(PEELING DIRECTION AS SHOWN IN FOLLOWING FIG.)



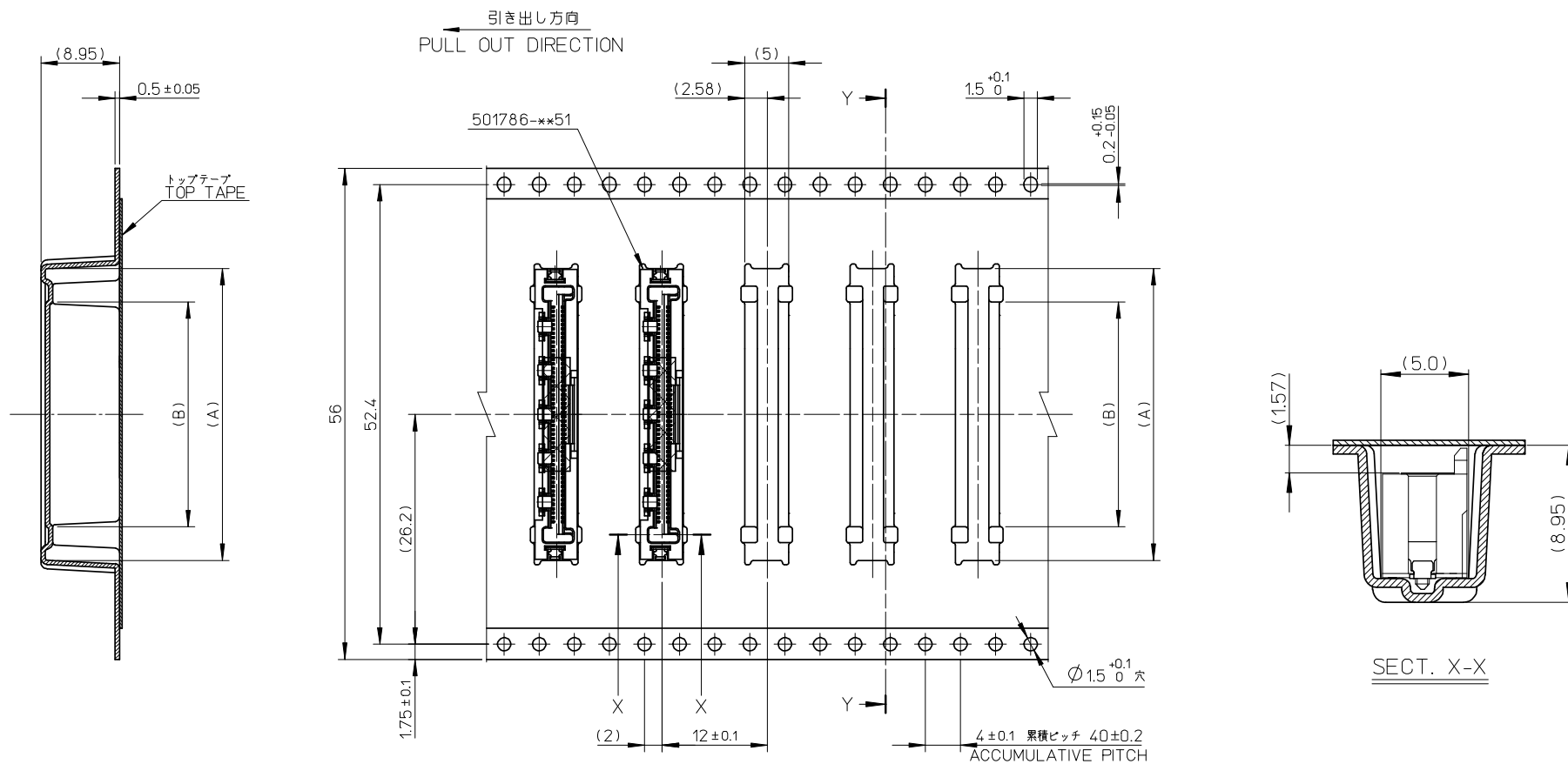
4. 製品詳細寸法については図面 SD-501786-010を参照下さい。  
RE DETAILED DIMENSION, SEE SD-501786-010.
5. 材料(MATERIAL)  
キャリアテープ(CARRIER TAPE) : ポリスチレン(POLYSTYRENE)  
トップテープ(TOP TAPE) : PET, PE, PE  
リール(REEL) : ポリスチレン(POLYSTYRENE) <<<リサイクル材を含む>>>  
<<<RECYCLE MATERIAL CONTAINED>>>



501786-\*\*81 MODEL NO.

RELEASED EC NO: 0	2008/07/08 DRWN:MNABEI	2008/07/09 CHKD:K.MORIKAWA	2008/07/10 APPR:KMORIKAWA	GENERAL TOLERANCES (UNLESS SPECIFIED)		DIMENSION STYLE MM ONLY		SCALE ---	DESIGN UNITS METRIC	THIRD ANGLE PROJECTION	
	10 UNDER		± 0.2		DRAWN BY M.NABEI	DATE '08/07/08	TITLE EMBSTP PKG FOR 0.5 FFC TO BOARD ST TYPE				
	10 OVER 30 UNDER		± 0.25		CHECKED BY K.MORIKAWA	DATE '08/07/08	MOLEX INCORPORATED				
	30 OVER		± 0.3		APPROVED BY H.HIRATA	DATE '08/07/08	DOCUMENT NO. SD-501786-011				
	ANGULAR		± 3 °		MATERIAL NO. SEE SHEET 2	SHEET NO. 1 OF 2		THIS DRAWING CONTAINS INFORMATION THAT IS PROPRIETARY TO MOLEX INCORPORATED AND SHOULD NOT BE USED WITHOUT WRITTEN PERMISSION			
DRAFT WHERE APPLICABLE MUST REMAIN WITHIN DIMENSIONS											

ELV AND RoHS COMPLIANT.



56mm幅キャリアテープ  
56mm WIDTH CARRIER TAPE

56	57.4	25.68	33.3	501786-5081	50
キャリアテープ幅 CARRIER TAPE WIDTH	C	B	A	製品番号 MATERIAL NO.	極数 CKT

RELEASED EC NO: O DRWN: MNABEI 2008/07/08 CHKDK: MORIKAWA 2008/07/09 APPR: KMORIKAWA 2008/07/10	DESCRIPTION GENERAL TOLERANCES (UNLESS SPECIFIED) 10 UNDER ±0.2 10 OVER 30 UNDER ±0.25 30 OVER ±0.3 ANGULAR ±3 ° DRAFT WHERE APPLICABLE MUST REMAIN WITHIN DIMENSIONS	DIMENSION STYLE MM ONLY	SCALE ---	DESIGN UNITS METRIC	THIRD ANGLE PROJECTION		
		DRAWN BY M. NABEI	DATE '08/07/08	TITLE EMBSTP PKG FOR 0.5 FFC TO BOARD ST TYPE			
		CHECKED BY K. MORIKAWA	DATE '08/07/08	MOLEX INCORPORATED			
		APPROVED BY H. HIRATA	DATE '08/07/08	SEE TABLE	DOCUMENT NO. SD-501786-011	SHEET NO. 2 OF 2	

THIS DRAWING CONTAINS INFORMATION THAT IS PROPRIETARY TO MOLEX INCORPORATED AND SHOULD NOT BE USED WITHOUT WRITTEN PERMISSION

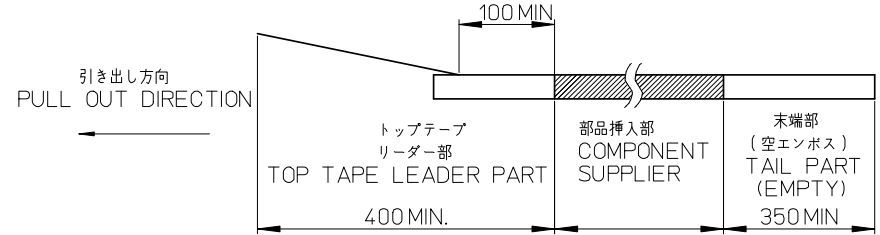
ELV AND RoHS COMPLIANT.

NOTES

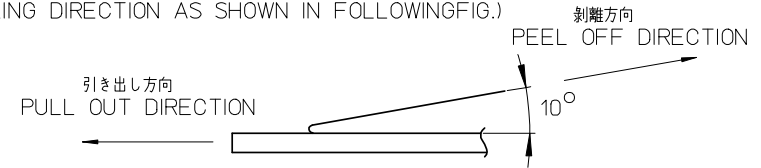
1. 梱包数量: 900 個/リール  
NUMBER OF CONNECTORS: 900 PCS/REEL
2. リードテープ長さ  
LEAD TAPE LENGTH

トップテープ接着部  
TOP TAPE BONDED PART  
(空エンボス)  
(EMPTY)

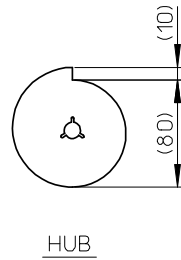
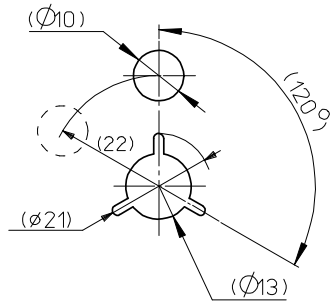
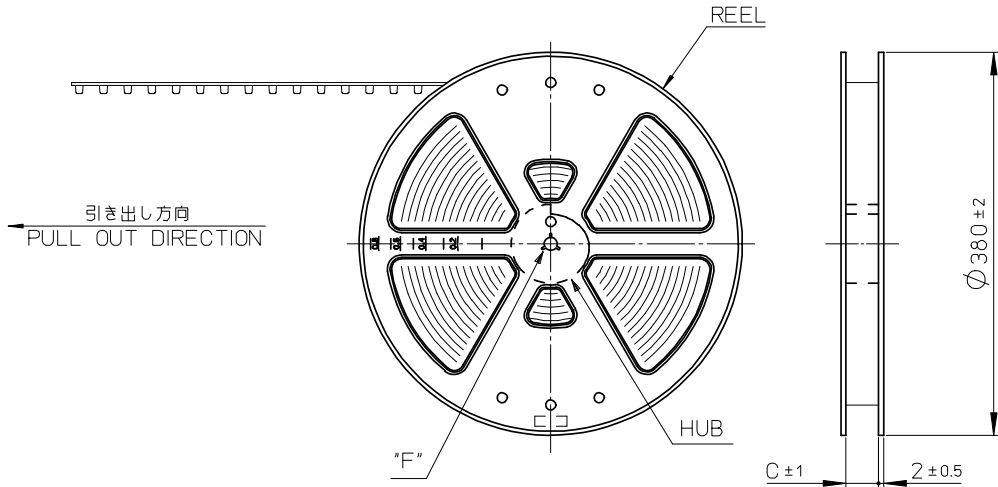
トップテープ未接着部  
TOP TAPE NON-BONDED PART



3. トップテープの剥離強度: 「JES-59」参照のこと  
(剥離方向は下図参照)  
PEEL-OFF FORCE OF TOP TAPE: REFER TO JES-59  
(PEELING DIRECTION AS SHOWN IN FOLLOWING FIG.)



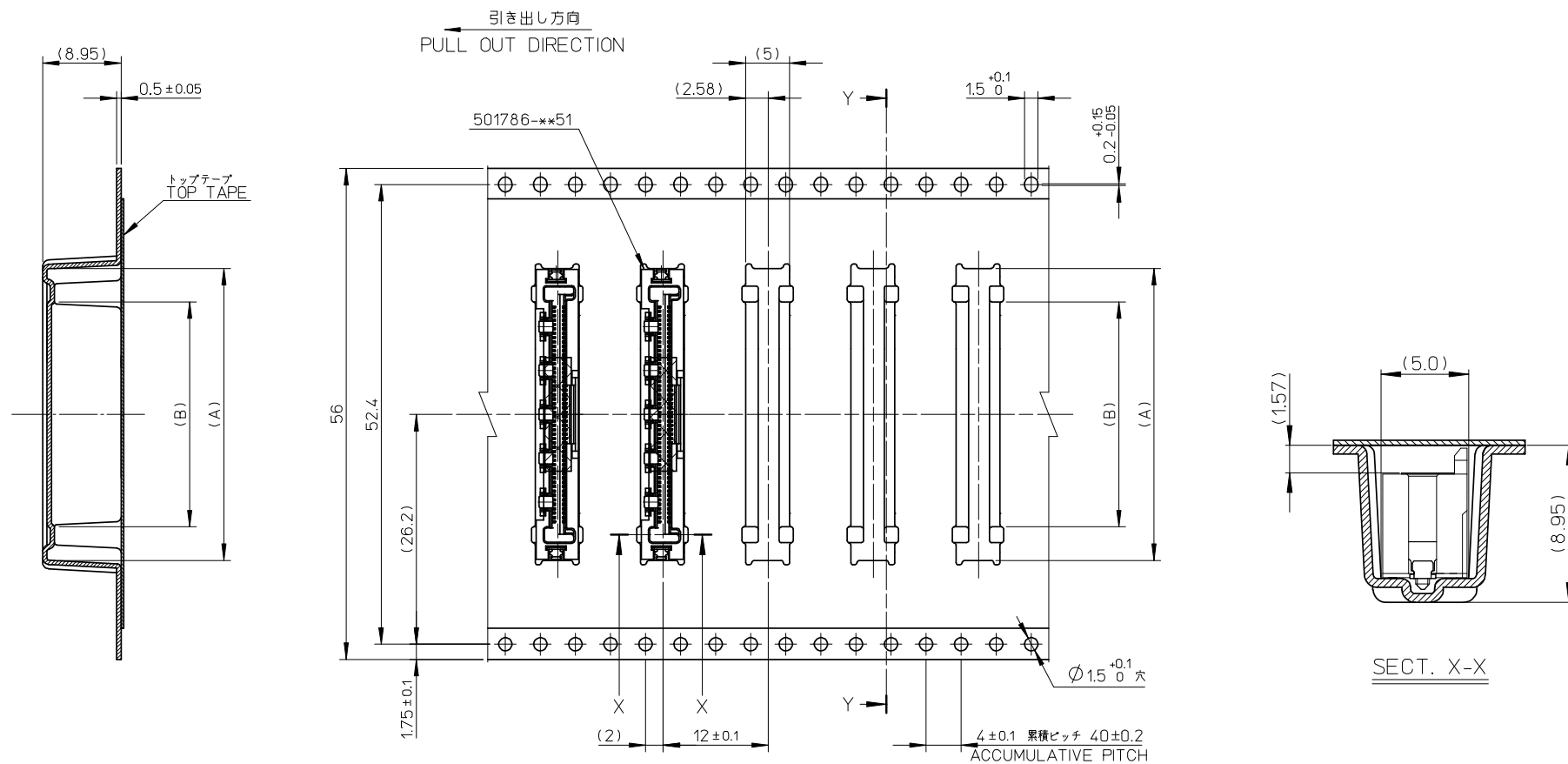
4. 製品詳細寸法については図面 SD-501786-010を参照下さい。  
RE DETAILED DIMENSION, SEE SD-501786-010.
5. 材料(MATERIAL)  
キャリアテープ(CARRIER TAPE): ポリスチレン(POLYSTYRENE)  
トップテープ(TOP TAPE): PET, PE, PE  
リール(REEL): ポリスチレン(POLYSTYRENE) <<<リサイクル材を含む>>>  
<<<RECYCLE MATERIAL CONTAINED>>>



501786-\*\*81 MODEL NO.

RELEASED EC NO: 0	2008/07/08 DRWN:MNABEI	2008/07/09 CHKD:K.MORIKAWA	2008/07/10 APPR:KMORIKAWA	GENERAL TOLERANCES (UNLESS SPECIFIED)		DIMENSION STYLE MM ONLY		SCALE ---	DESIGN UNITS METRIC	THIRD ANGLE PROJECTION
	10 UNDER		± 0.2		DRAWN BY M.NABEI	DATE '08/07/08	TITLE EMBSTP PKG FOR 0.5 FFC TO BOARD ST TYPE			
	10 OVER 30 UNDER		± 0.25		CHECKED BY K.MORIKAWA	DATE '08/07/08	MOLEX INCORPORATED			
	30 OVER		± 0.3		APPROVED BY H.HIRATA	DATE '08/07/08	DOCUMENT NO. SD-501786-011			
	ANGULAR		± 3 °		MATERIAL NO. SEE SHEET 2		SHEET NO. 1 OF 2			
DRAFT WHERE APPLICABLE MUST REMAIN WITHIN DIMENSIONS				THIS DRAWING CONTAINS INFORMATION THAT IS PROPRIETARY TO MOLEX INCORPORATED AND SHOULD NOT BE USED WITHOUT WRITTEN PERMISSION						

ELV AND RoHS COMPLIANT.



56mm幅キャリアテープ  
56mm WIDTH CARRIER TAPE

56	57.4	25.68	33.3	501786-5081	50
キャリアテープ幅 CARRIER TAPE WIDTH	C	B	A	製品番号 MATERIAL NO.	極数 CKT

RELEASED EC NO: O DRWN: MNABEI 2008/07/08 CHKDK: MORIKAWA 2008/07/09 APPR: KMORIKAWA 2008/07/10	DESCRIPTION GENERAL TOLERANCES (UNLESS SPECIFIED) 10 UNDER ±0.2 10 OVER 30 UNDER ±0.25 30 OVER ±0.3 ANGULAR ±3 ° DRAFT WHERE APPLICABLE MUST REMAIN WITHIN DIMENSIONS	DIMENSION STYLE MM ONLY	SCALE ---	DESIGN UNITS METRIC	THIRD ANGLE PROJECTION		
		DRAWN BY M. NABEI	DATE '08/07/08	TITLE EMBSTP PKG FOR 0.5 FFC TO BOARD ST TYPE			
		CHECKED BY K. MORIKAWA	DATE '08/07/08	MOLEX INCORPORATED			
		APPROVED BY H. HIRATA	DATE '08/07/08	SEE TABLE	DOCUMENT NO. SD-501786-011	SHEET NO. 2 OF 2	

THIS DRAWING CONTAINS INFORMATION THAT IS PROPRIETARY TO MOLEX INCORPORATED AND SHOULD NOT BE USED WITHOUT WRITTEN PERMISSION