

# VIDIO™

## 12G SDI FMC Daughter Card

XILINX  
ALLIANCE PROGRAM  
MEMBER

intel  
FPGA Design  
Solutions Network

12G

4Kp60

IP



Providing high performance video interfacing for development boards with Xilinx® Ultrascale, Ultrascale+, Kintex, Virtex, and Zynq FPGAs or Intel® Arria 10, Cyclone 10 and Stratix 10 FPGAs

### Features

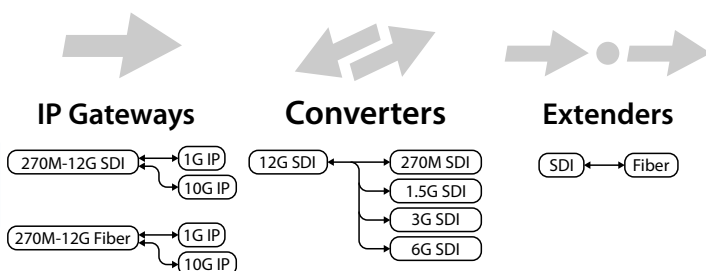
Designed to support Xilinx KCU116, KCU105, KC705, ZCU102/106, Intel Arria 10, Cyclone 10, Stratix 10, and most other development boards supporting the FMC HPC Standard

- Single FMC board supports SDI, Fiber, and IP
- Economical single channel solution
- Uses the latest 12G Texas Instruments® technology
- Full size 12G edge launch BNC connectors
- Can drive 12G SDI 100m with low jitter

### Connections

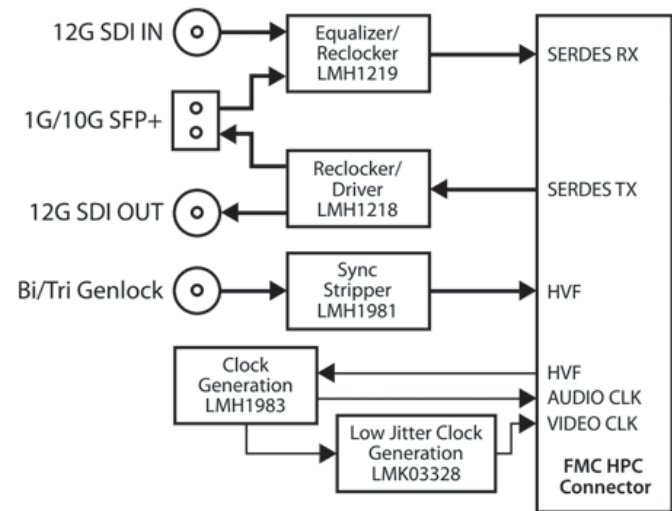
- 4Kp60 SDI I/O, supports SD/HD/3G/6G/12G/Fiber
- 1G/2.5G/10G Ethernet/Video SFP+
- Bi/Tri Level Genlock, supports Blackburst

### Applications



Ordering Info: VIDIO-12G-X (Xilinx)  
VIDIO-12G-A (Intel)

### Block Diagram



### Reference Design Available

- Schematics, Layout, Gerbers, and BOM
- Example FPGA Project

Nextera  
Video

sales@nexteravideo.com  
www.nexteravideo.com  
(650) 600 - 9686