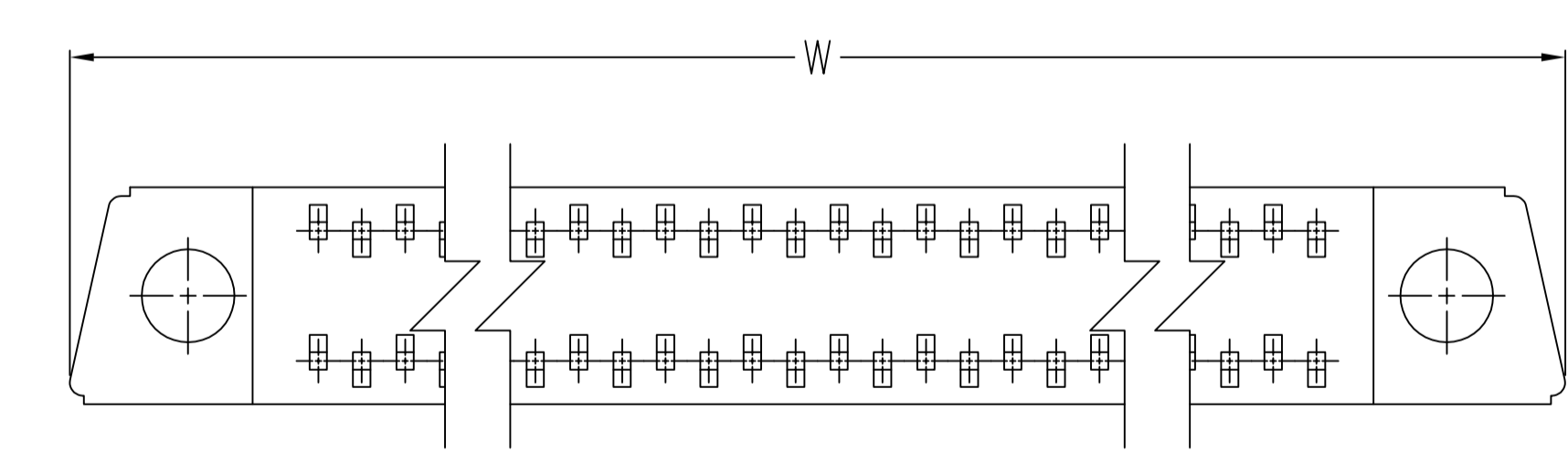
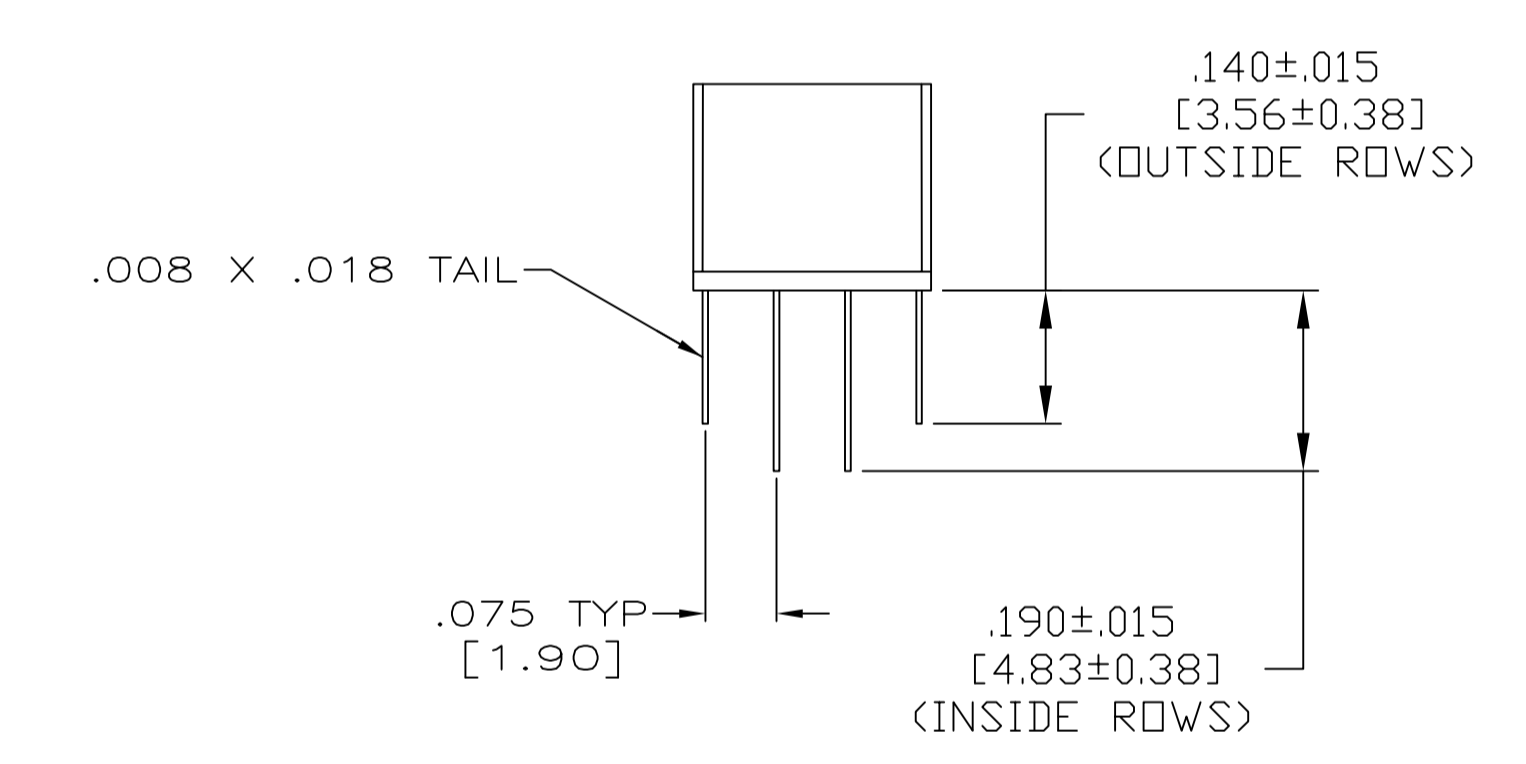
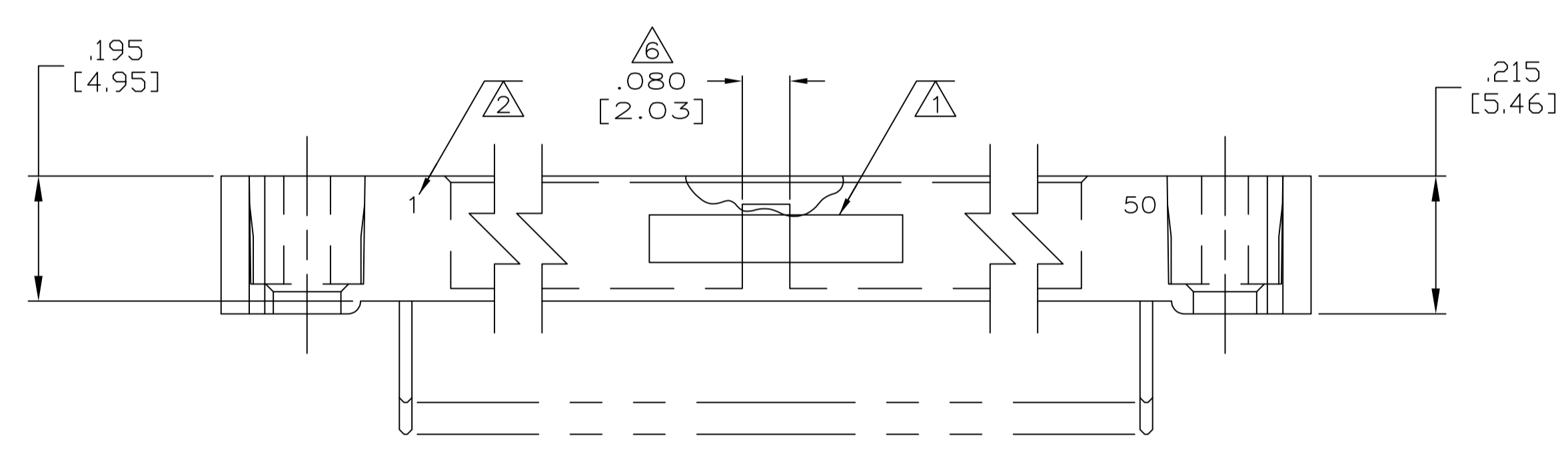
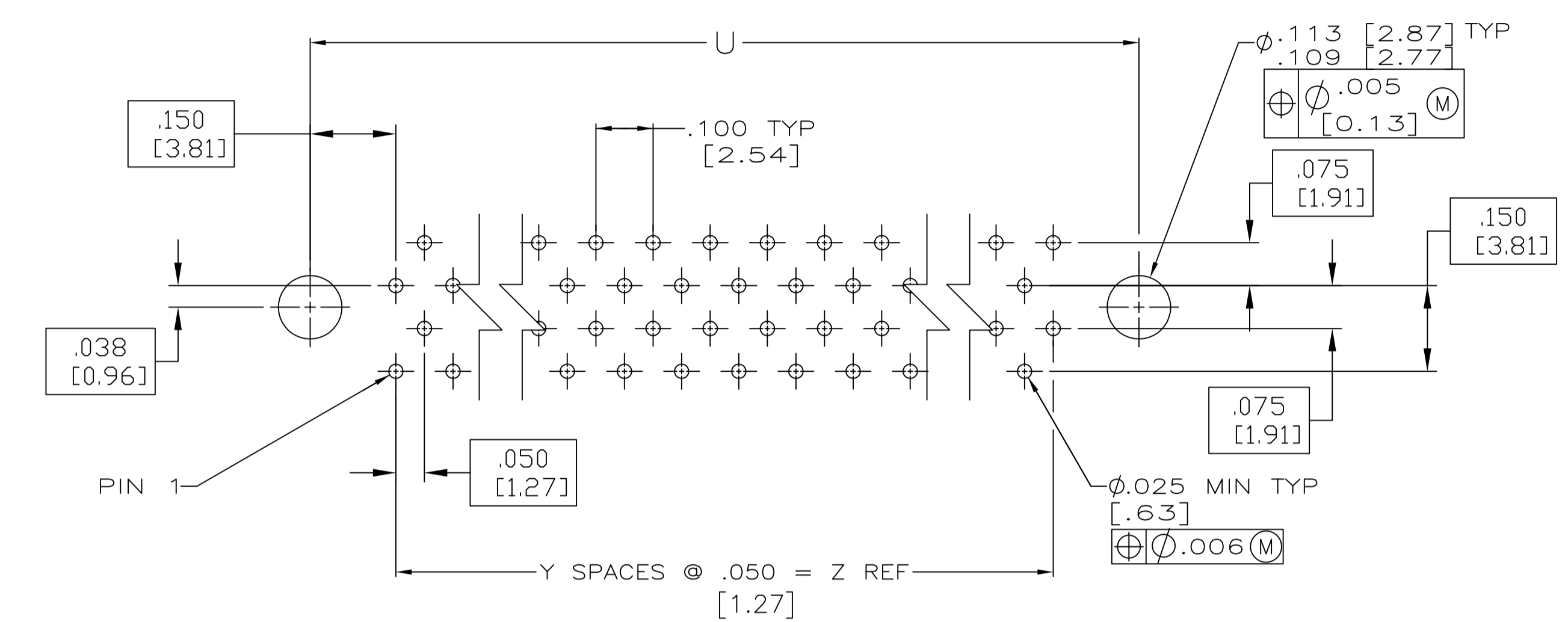
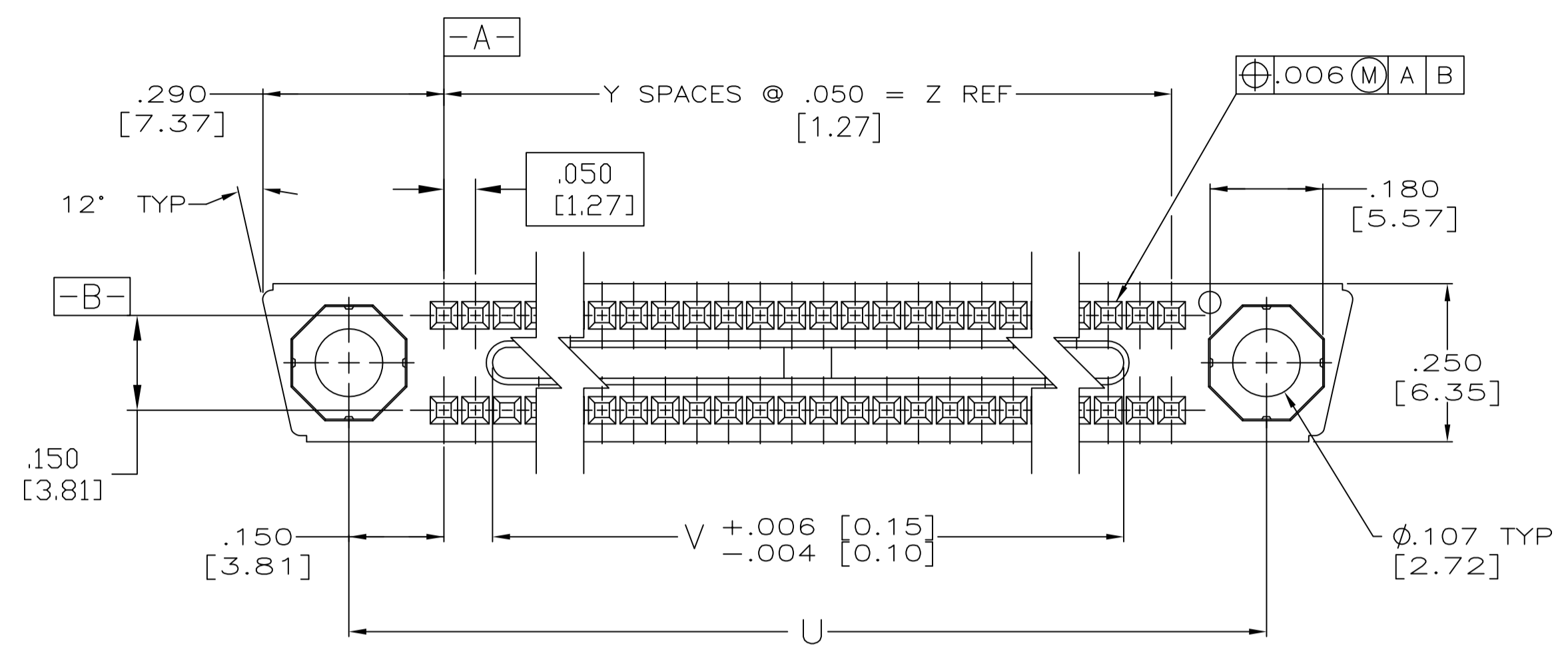


REVISIONS				
P	LTR	DESCRIPTION	DATE	OWN APVD
N		REVISED PER ECO-16-017894	27APR2017	PHM CT



- 1 AMP, PART NUMBER & DATE CODE MARKED IN THIS APPROXIMATE AREA.
- 2 NUMBERS INDICATING END POSITIONS MARKED THIS SIDE ONLY.
- 3 SAME DATE MARKED PER LOT (SINGLE LOT DATE CODE REQUIRED).
- 4 .000030 GOLD OVER NICKEL UNDERPLATE IN CONTACT AREA, TIN-LEAD OVER NICKEL ON CONTACT TAILS.
- 5 HOUSING MATERIAL: LIQUID CRYSTAL POLYMER PER MIL-M-24519, GLCP-30F; COLOR: GRAY.
- 6 THIS FEATURE IS NOT ON 20 THRU 50 POSITION.

3	1 - 55	2,700 [68.58]	54	3,290 [83.57]	2,550 [64.77]	3,000 [76.20]	110	1-530720-3
	1 - 30	1,450 [36.83]	29	2,040 [51.82]	1,300 [33.02]	1,750 [44.45]	60	1-530720-2
	1 - 10	.450 [11.43]	9	1,040 [26.42]	.300 [7.62]	.750 [19.05]	20	1-530720-1
	1 - 15	.700 [17.78]	14	1,290 [32.77]	.550 [13.97]	1,000 [25.40]	30	1-530720-0
	1 - 64	3,150 [80.01]	63	3,740 [95.00]	3,000 [76.20]	3,450 [87.63]	128	530720-9
	1 - 55	2,700 [68.58]	54	3,290 [83.57]	2,550 [64.77]	3,000 [76.20]	110	530720-8
	1 - 50	2,450 [62.23]	49	3,040 [77.22]	2,300 [58.42]	2,750 [69.85]	100	530720-7
	1 - 45	2,200 [55.88]	44	2,790 [70.87]	2,050 [52.07]	2,500 [63.50]	90	530720-6
	1 - 40	1,950 [49.53]	39	2,540 [64.52]	1,800 [45.72]	2,250 [57.15]	80	530720-5
	1 - 35	1,700 [43.18]	34	2,290 [58.17]	1,550 [39.37]	2,000 [50.80]	70	530720-4
	1 - 30	1,450 [36.83]	29	2,040 [51.82]	1,300 [33.02]	1,750 [44.45]	60	530720-3
	1 - 25	1,200 [30.48]	24	1,790 [45.47]	1,050 [26.67]	1,500 [38.10]	50	530720-2
	1 - 20	.950 [24.13]	19	1,540 [39.12]	.800 [20.32]	1,250 [31.75]	40	530720-1

THIS DRAWING IS A CONTROLLED DOCUMENT. DWN T. ALEXANDER 11-19-91
 DW D. GUTTER 2-6-92
 APVD D. GUTTER 2-6-92

TE Connectivity
 RECEPTACLE ASSEMBLY, MINI BOX, SPECIAL

SIZE: A1 CAGE CODE: 00779 DRAWING NO: 530720 RESTRICTED TO: -
 SCALE: 5:1 SHEET 1 OF 1 REV N

MATERIAL: - 5 FINISH: - 4

APPROVED: PHM CT