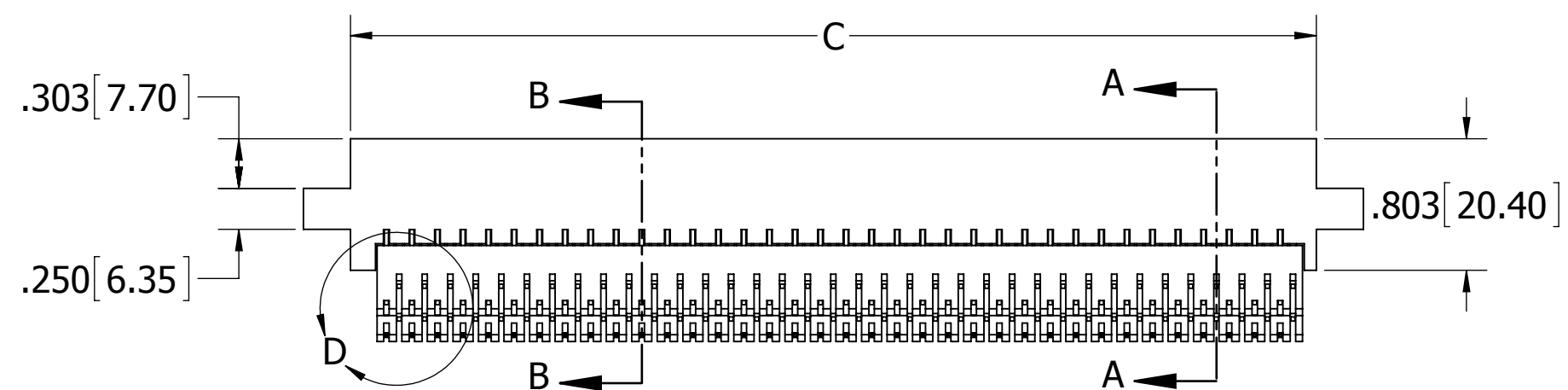
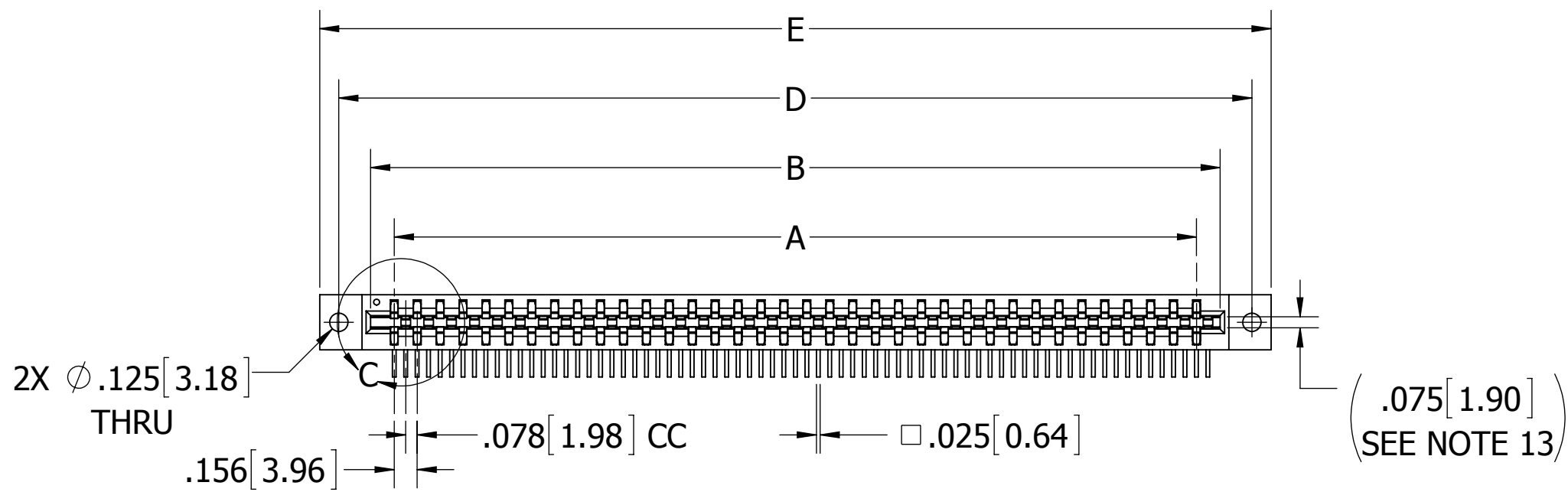
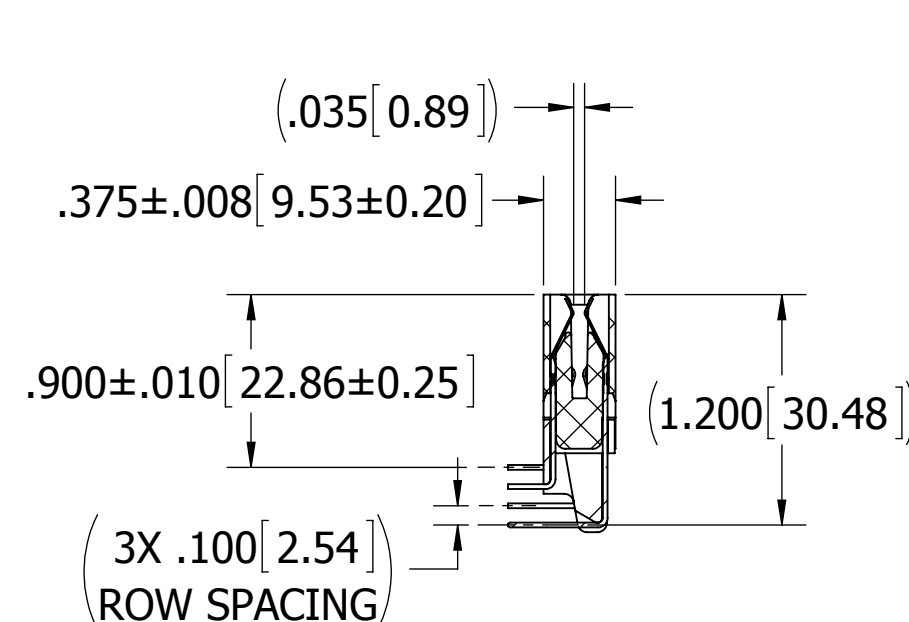


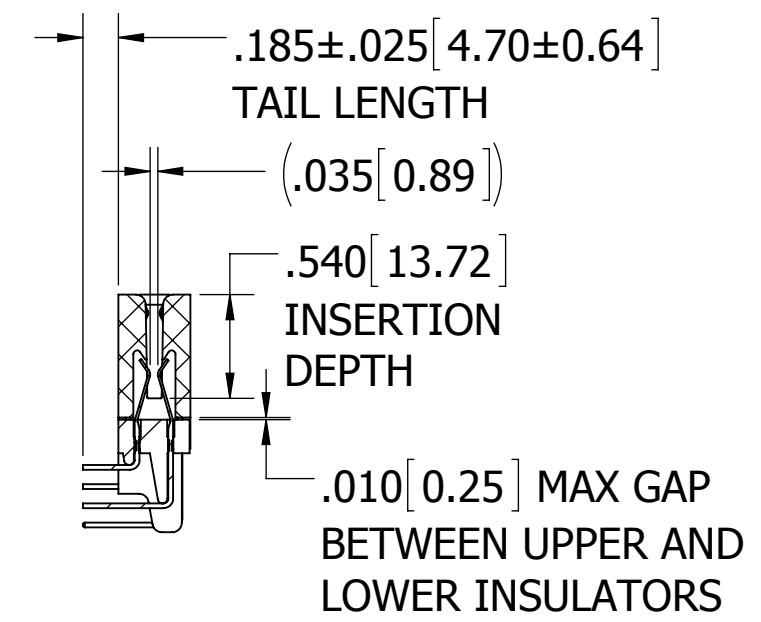
REVISIONS				
REV.	ECO NO.	DESCRIPTION	DATE	BY
E	1391	ADD POSITIONS 4, 6, 8, AND 10 PER CUSTOMER REQUEST	5/23/2005	ASK
F	2851	REMOVE 'D', 'V', 'T', AND 'Z' MOUNTING OPTIONS, UPDATE DWG FORMAT, OBSOLETE 'A' MATERIAL CODE, REPLACE WITH 'G', 'J' MATERIAL CODES	4/4/2014	JHSU
H	3173	UPDATE DIMENSION TABLE, UPDATE OPERATING VOLTAGE PER TEST RESULTS	3/4/2015	JHSU



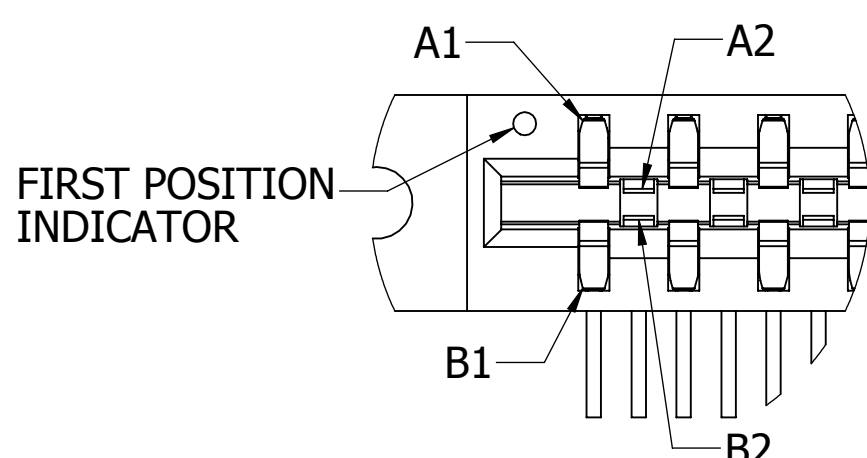
--- K --- DKBH



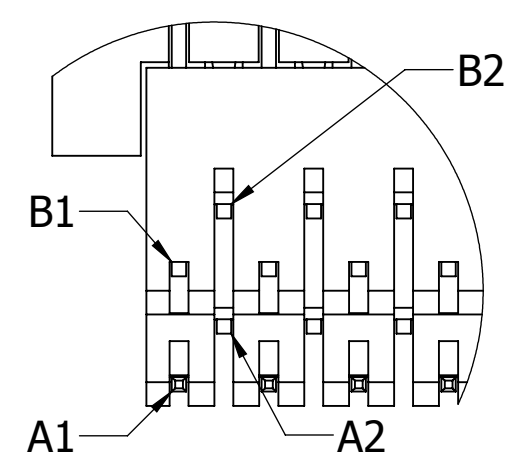
SECTION B-B



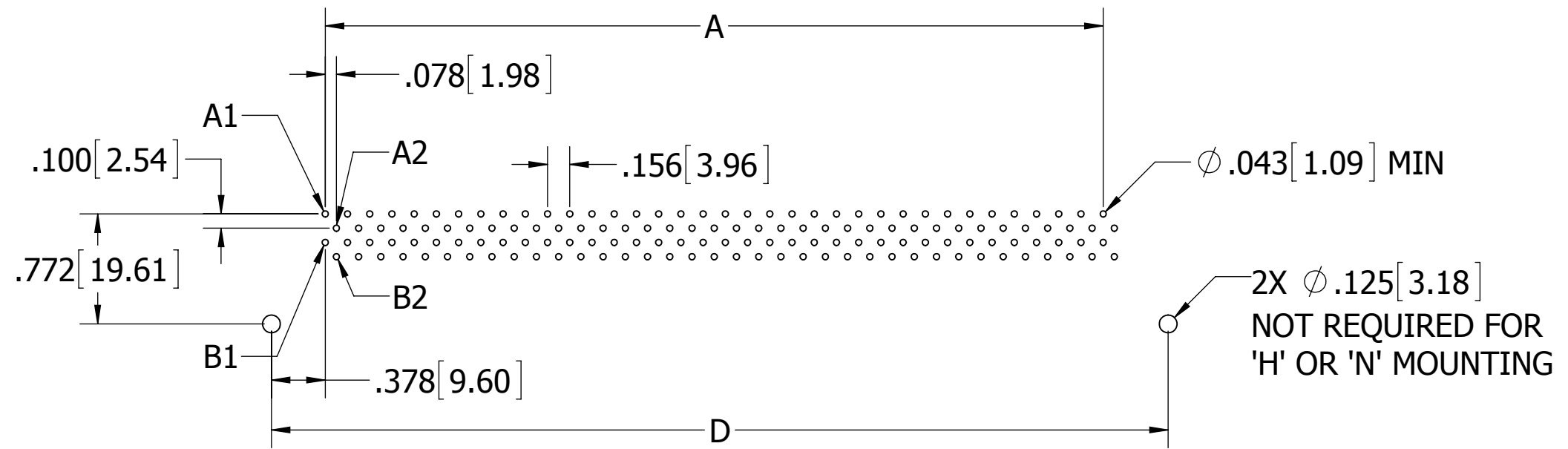
SECTION A-A



DETAIL C SCALE 3:1



DETAIL D SCALE 3:1



RECOMMENDED PCB LAYOUT

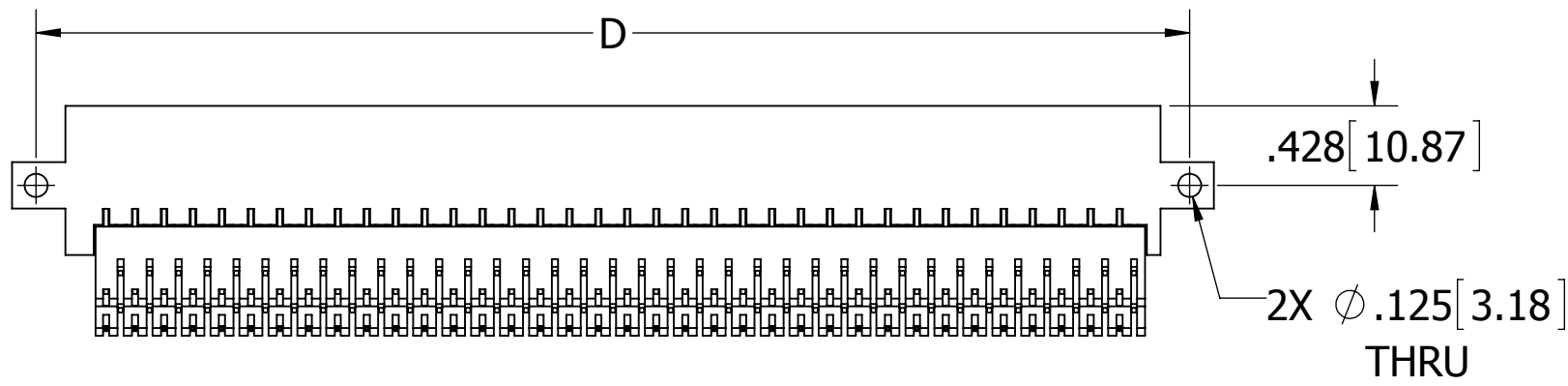
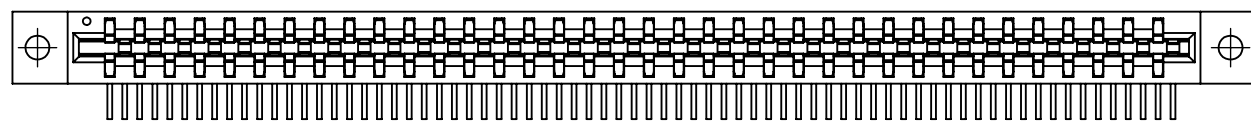
- NOTES:
- INSULATOR MATERIAL: SEE PART NUMBER CODING
 - CONTACT MATERIAL: SEE PART NUMBER CODING
 - PLATING: SEE PART NUMBER CODING
 - OPERATING TEMPERATURE: SEE PART NUMBER CODING
 - PROCESSING TEMP: SEE PART NUMBER CODING
 - UL FLAMMABILITY RATING: 94V-0
 - OPERATING VOLTAGE: 450 VAC MINIMUM AT SEA LEVEL
 - CURRENT RATING: 3 AMP
 - CONTACT RESISTANCE: 30 MILLI OHMS MAX
 - INSULATION RESISTANCE: 5000 MEGA OHMS
 - DURABILITY: 500 CYCLES MIN
 - CONNECTOR IDENTIFICATION: THE PART SHALL BE MARKED WITH A PART NUMBER AND LOT CODE
 - BOARD THICKNESS ACCOMMODATED: .062 ± .008 [1.57 ± 0.20]
 - INSERTION FORCE: 8 OZ MAX PER CONTACT PAIR WHEN USING A .062 [1.57] TEST BLADE
 - WITHDRAWAL FORCE: 1 OZ MIN PER CONTACT PAIR USING .062 [1.57] PCB



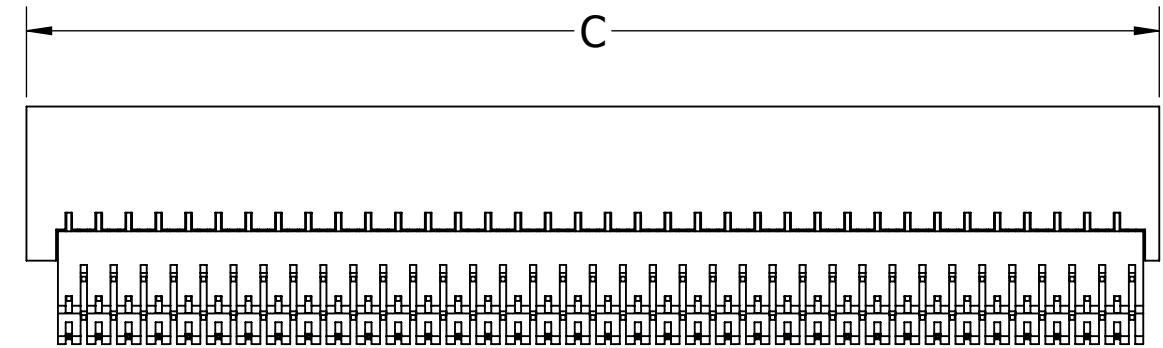
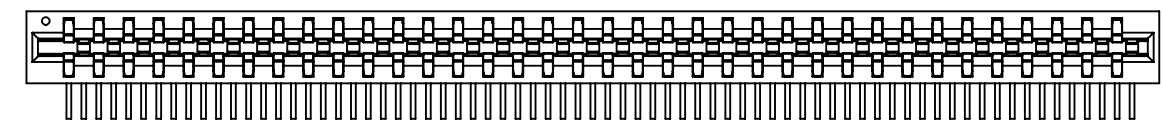
RoHS COMPLIANT

UNLESS OTHERWISE SPECIFIED: DIMENSIONS ARE IN INCHES [MM]		DRAWN	DATE	NAME		
			6/30/2004	JFW		
TOLERANCES:					<small>THE INFORMATION HEREIN CONTAINS PROPRIETARY INFORMATION OF SULLINS ELECTRONICS AND IS NOT TO BE REPRODUCED, USED OR DISCLOSED TO OTHERS FOR ANY PURPOSE EXCEPT AS SPECIFICALLY AUTHORIZED IN WRITING BY AN OFFICER OF SULLINS ELECTRONICS.</small>	
ANGULAR: ± 1°					TITLE BI-LEVEL, .078 CC	
DECIMALS .XX = ± .02 [.5] .XXX = ± .005 [.13] .XXXX = ± .0005 [.013]					PART NUMBER _ _ K _ _ DKB _	
SCALE: 1:1		SIZE C	CAGE CODE 54453	DWG. NO. C10265	REV H	
					SHEET 1 OF 3	

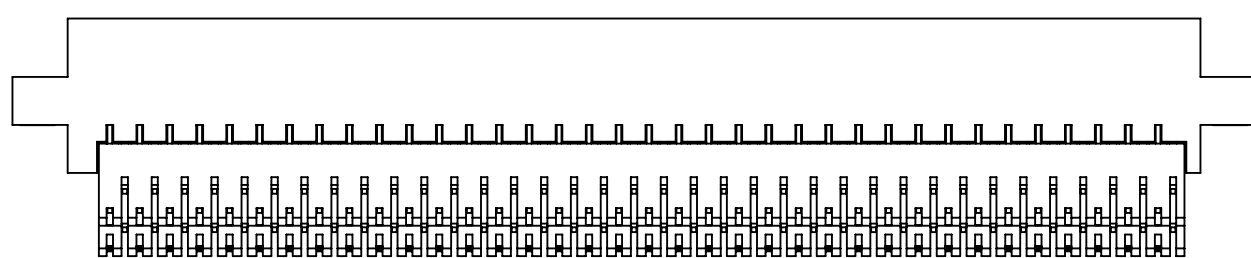
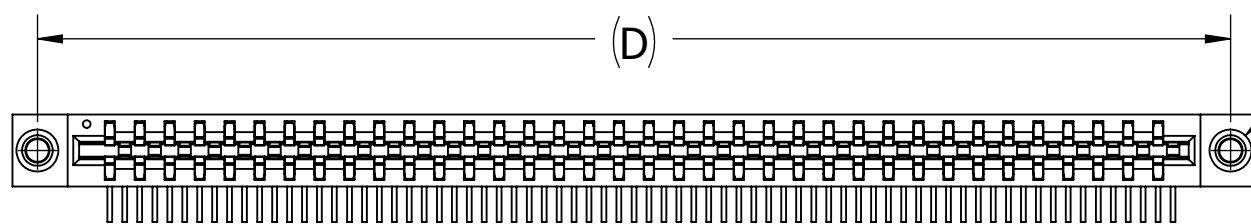
CUSTOMER COPY



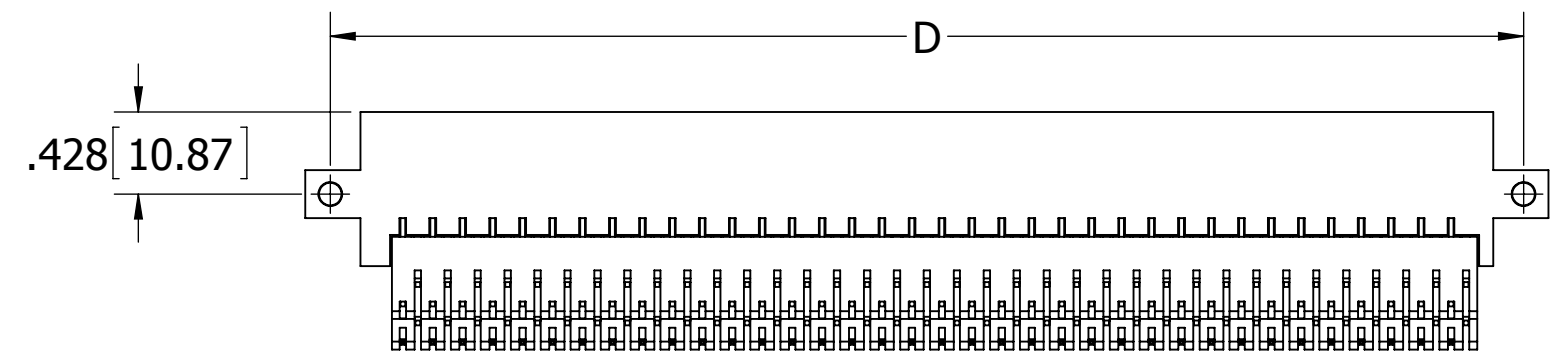
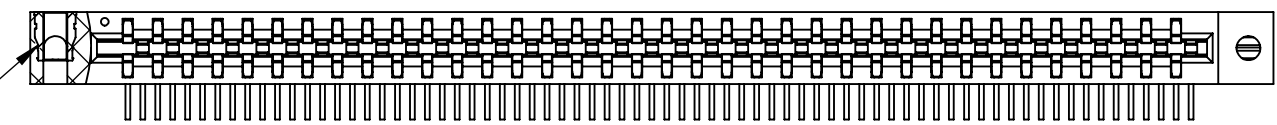
__ K __ DKBS



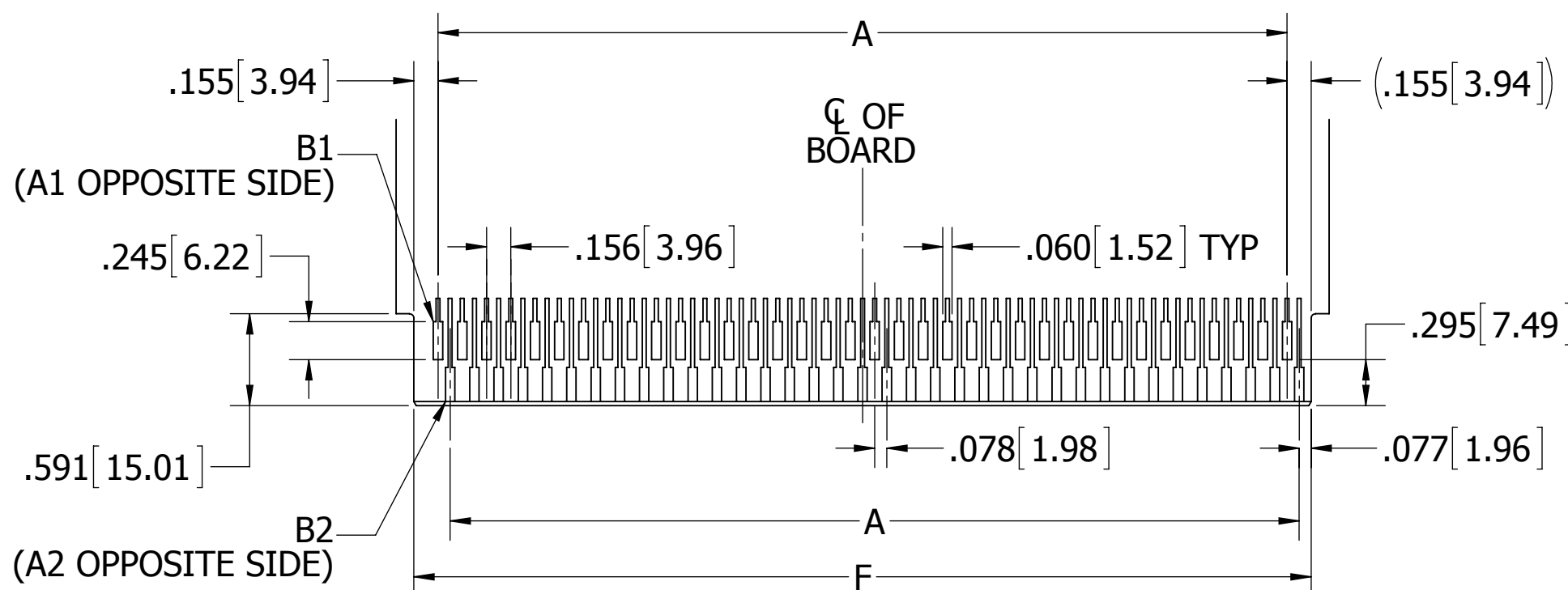
__ K __ DKBN



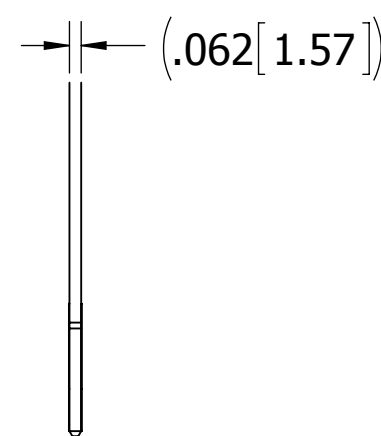
__ K __ DKBI



__ K __ DKBA



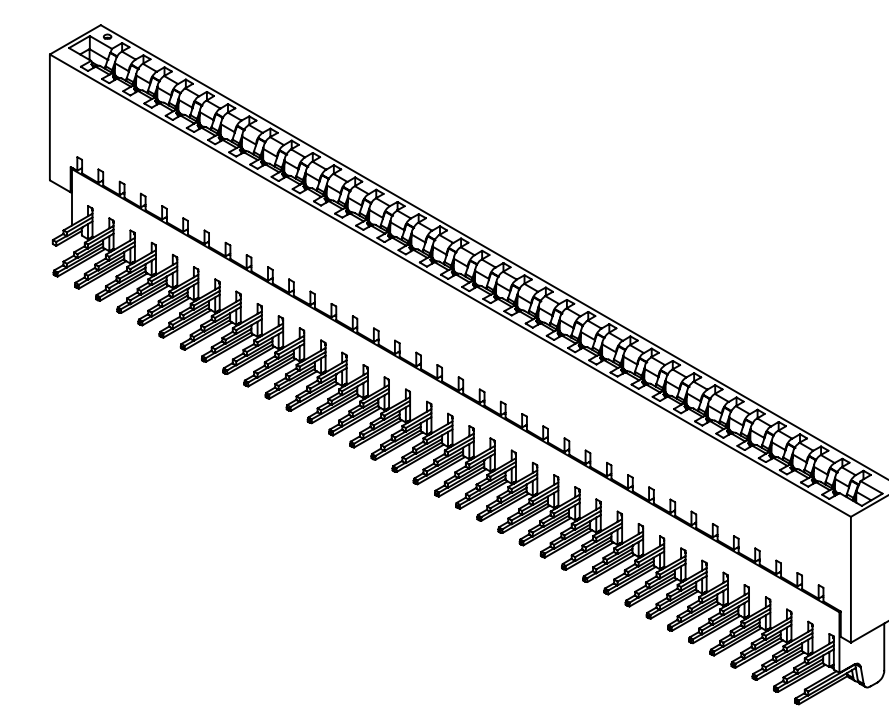
RECOMMENDED DAUGHTER CARD LAYOUT



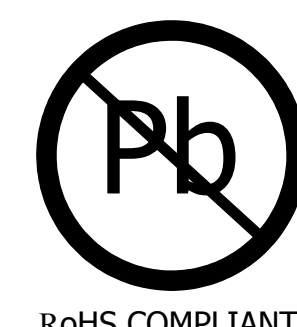
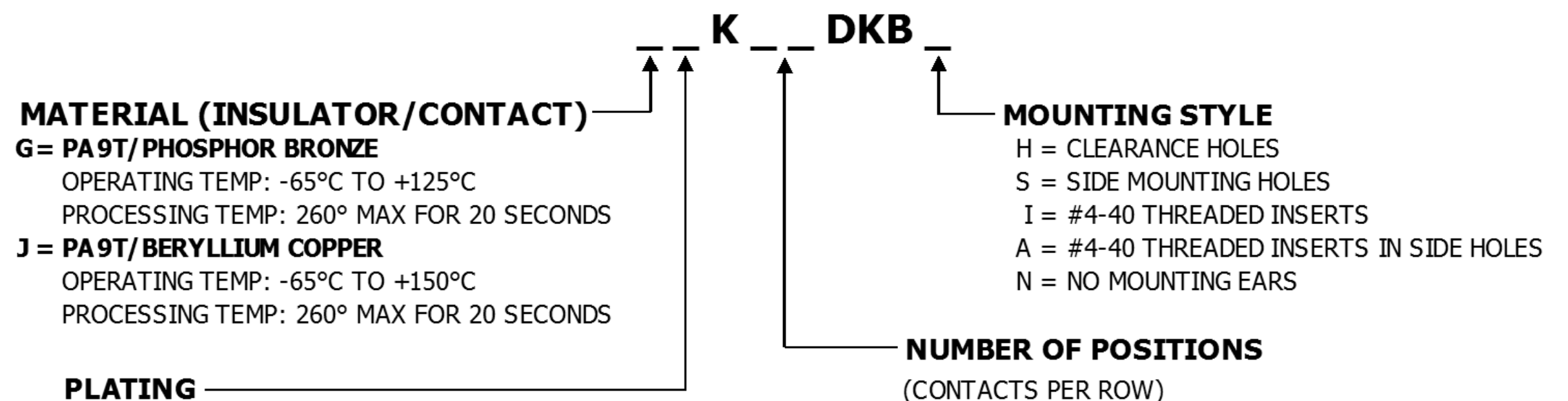
CUSTOMER COPY

UNLESS OTHERWISE SPECIFIED: DIMENSIONS ARE IN INCHES [MM]	DRAWN	DATE	NAME		
		6/30/2004	JFW		
TOLERANCES: ANGULAR: ± 1° DECIMALS .XX = ± .02 [.5] .XXX = ± .005 [.13] .XXXX = ± .0005 [.013]	THE INFORMATION HEREIN CONTAINS PROPRIETARY INFORMATION OF SULLINS ELECTRONICS AND IS NOT TO BE REPRODUCED, USED OR DISCLOSED TO OTHERS FOR ANY PURPOSE EXCEPT AS SPECIFICALLY AUTHORIZED IN WRITING BY AN OFFICER OF SULLINS ELECTRONICS.			TITLE	BI-LEVEL, .078 CC
				PART NUMBER	__ K __ DKB__
SIZE	CAGE CODE	DWG. NO.	REV		
C	54453	C10265	H		
SCALE: 1:1		SHEET 2 OF 3			

PART NUMBER	NO. OF POSITIONS/ CONTACTS	A±.005[0.13]		B±.005[0.13]		C±.015[0.38]		D±.010[0.25]		E±.020[0.51]		F	
		INCH	MM	INCH	MM	INCH	MM	INCH	MM	INCH	MM	INCH	MM
K06DKB	6/12	0.312	7.92	0.634	16.10	0.752	19.10	1.066	27.08	1.327	33.71	0.624	15.85
K08DKB	8/16	0.468	11.89	0.790	20.07	0.908	23.06	1.222	31.04	1.483	37.67	0.780	19.81
K10DKB	10/20	0.624	15.85	0.946	24.03	1.064	27.03	1.378	35.00	1.639	41.63	0.936	23.77
K12DKB	12/24	0.780	19.81	1.102	27.99	1.220	30.99	1.534	38.96	1.795	45.59	1.092	27.74
K14DKB	14/28	0.936	23.77	1.258	31.95	1.376	34.95	1.690	42.93	1.951	49.56	1.248	31.70
K16DKB	16/32	1.092	27.74	1.414	35.92	1.532	38.91	1.846	46.89	2.107	53.52	1.404	35.66
K18DKB	18/36	1.248	31.70	1.570	39.88	1.688	42.88	2.002	50.85	2.263	57.48	1.560	39.62
K20DKB	20/40	1.404	35.66	1.726	43.84	1.844	46.84	2.158	54.81	2.419	61.44	1.716	43.59
K22DKB	22/44	1.560	39.62	1.882	47.80	2.000	50.80	2.314	58.78	2.575	65.41	1.872	47.55
K24DKB	24/48	1.716	43.59	2.038	51.77	2.156	54.76	2.470	62.74	2.731	69.37	2.028	51.51
K26DKB	26/52	1.872	47.55	2.194	55.73	2.312	58.72	2.626	66.70	2.887	73.33	2.184	55.47
K28DKB	28/56	2.028	51.51	2.350	59.69	2.468	62.69	2.782	70.66	3.043	77.29	2.340	59.44
K30DKB	30/60	2.184	55.47	2.506	63.65	2.624	66.65	2.938	74.63	3.199	81.25	2.496	63.40
K32DKB	32/64	2.340	59.44	2.662	67.61	2.780	70.61	3.094	78.59	3.355	85.22	2.652	67.36
K34DKB	34/68	2.496	63.40	2.818	71.58	2.936	74.57	3.250	82.55	3.511	89.18	2.808	71.32
K36DKB	36/72	2.652	67.36	2.974	75.54	3.092	78.54	3.406	86.51	3.667	93.14	2.964	75.29
K38DKB	38/76	2.808	71.32	3.130	79.50	3.248	82.50	3.562	90.47	3.823	97.10	3.120	79.25
K40DKB	40/80	2.964	75.29	3.286	83.46	3.404	86.46	3.718	94.44	3.979	101.07	3.276	83.21
K42DKB	42/84	3.120	79.25	3.442	87.43	3.560	90.42	3.874	98.40	4.135	105.03	3.432	87.17
K44DKB	44/88	3.276	83.21	3.598	91.39	3.716	94.39	4.030	102.36	4.291	108.99	3.588	91.14
K46DKB	46/92	3.432	87.17	3.754	95.35	3.872	98.35	4.186	106.32	4.447	112.95	3.744	95.10
K48DKB	48/96	3.588	91.14	3.910	99.31	4.028	102.31	4.342	110.29	4.603	116.92	3.900	99.06
K50DKB	50/100	3.744	95.10	4.066	103.28	4.184	106.27	4.498	114.25	4.759	120.88	4.056	103.02
K52DKB	52/102	3.900	99.06	4.222	107.24	4.340	110.24	4.654	118.21	4.915	124.84	4.212	106.98
K54DKB	54/108	4.056	103.02	4.378	111.20	4.496	114.20	4.810	122.17	5.071	128.80	4.368	110.95
K56DKB	56/112	4.212	106.98	4.534	115.16	4.652	118.16	4.966	126.14	5.227	132.77	4.524	114.91
K58DKB	58/116	4.368	110.95	4.690	119.13	4.808	122.12	5.122	130.10	5.383	136.73	4.680	118.87
K60DKB	60/120	4.524	114.91	4.846	123.09	4.964	126.09	5.278	134.06	5.539	140.69	4.836	122.83
K62DKB	62/124	4.680	118.87	5.002	127.05	5.120	130.05	5.434	138.02	5.695	144.65	4.992	126.80
K64DKB	64/128	4.836	122.83	5.158	131.01	5.276	134.01	5.590	141.99	5.851	148.62	5.148	130.76
K66DKB	66/132	4.992	126.80	5.314	134.98	5.432	137.97	5.746	145.95	6.007	152.58	5.304	134.72
K68DKB	68/136	5.148	130.76	5.470	138.94	5.588	141.94	5.902	149.91	6.163	156.54	5.460	138.68
K70DKB	70/140	5.304	134.72	5.626	142.90	5.744	145.90	6.058	153.87	6.319	160.50	5.616	142.65
K72DKB	72/144	5.460	138.68	5.782	146.86	5.900	149.86	6.214	157.84	6.475	164.47	5.772	146.61



PART NUMBER CODING



CUSTOMER COPY

UNLESS OTHERWISE SPECIFIED: DIMENSIONS ARE IN INCHES [MM]		DRAWN	DATE	NAME	
			6/30/2004	JFW	
<small>THE INFORMATION HEREIN CONTAINS PROPRIETARY INFORMATION OF SULLINS ELECTRONICS AND IS NOT TO BE REPRODUCED, USED OR DISCLOSED TO OTHERS FOR ANY PURPOSE EXCEPT AS SPECIFICALLY AUTHORIZED IN WRITING BY AN OFFICER OF SULLINS ELECTRONICS.</small>					TITLE
					BI-LEVEL, .078 CC
					PART NUMBER
					K DKB
SIZE	CAGE CODE	DWG. NO.	REV		
C	54453	C10265	H		
SCALE: 1:1		SHEET 3 OF 3			