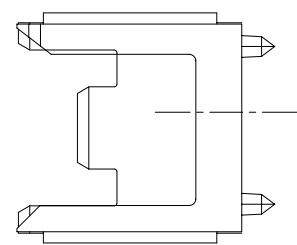
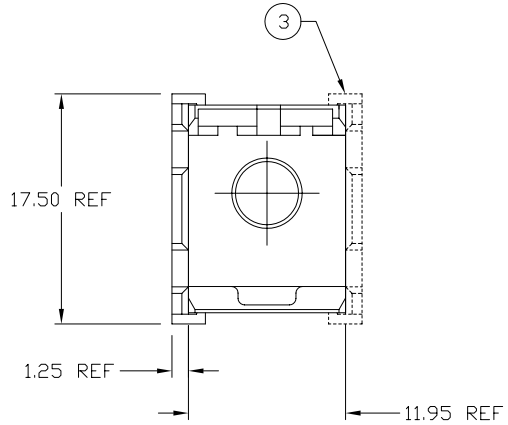


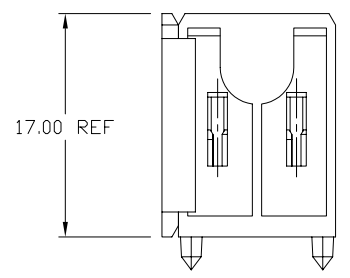
PRODUCT NUMBER	STATUS	APPLICATION	NOTES
73996-001	OBSOLETE	5 ROW HEADER	7,8
73996-002	ACTIVE (SEE SHT 1)	4 ROW SHROUD	
73996-011	ACTIVE (SEE SHT 2)	5 ROW HEADER	
73996-012	ACTIVE (SEE SHT 3)	5 ROW THICK CARD HEADER	
73996-013	ACTIVE (SEE SHT 4)	5 ROW HEADER (CUSTOMER SPECIAL)	

⑥ -002 CAN BE APPLIED TO:	
HYBRID HEADER HOUSING P/N	SHROUD P/N
88911	70203
88913	89028



73996-002

- NOTES
- 1-MATERIAL-NYLON 30% GLASS-FILLED FLAME RETARDANT ACC. UL 94-V0 COLOR-NATURAL
  - 2-SHOWN WITH, A METRAL 4-ROW, 88911-101, 12MM HYBRID HEADER HOUSING, WHICH MUST BE ORDERED SEPARATELY.
  - ③-END WALL CAN BE USED ON EITHER SIDE OF HEADER
  - 4-ENDWALL CAN ALSO BE USED WITH STANDARD METRAL 4-ROW SHROUDS
  - 5-REFERENCE PRODUCT SPEC GS-12-199.
  - ⑥-THIS TABLE IS NOT A COMPLETE LISTING BUT REPRESENTS APPLICABLE PRODUCT OFFERINGS. FOR OTHER PRODUCT OFFERINGS, CONTACT YOUR LOCAL FCI OFFICE.
  - ⑦-ADD "LF" SUFFIX AT THE END OF PART NUMBER FOR LEAD FREE OPTION.
  - ⑧-THIS PRODUCT MEETS EUROPEAN UNION DIRECTIVES AND OTHER COUNTRY REGULATION AS DESCRIBED IN GS-22-008.
  - 9-THE HOUSING WILL WITHSTAND EXPOSURE TO 260°C PEAK TEMPERATURE FOR 15 SECONDS IN A WAVE SOLDER APPLICATION WITH A 1.5mm MINIMUM THICK CIRCUIT BOARD. SEE APPLICATION NOTES/PROCEDURES IF THEY ARE AVAILABLE.



mat'l. code		surface ISO 1302 ✓		tolerance ISO 406 ISO 1101		projection MM		product family METRAL ACC.	
ltr		ecn no		dr		date		tolerances unless otherwise specified	
A		V80952		GCR		6/3/98		angles	
B		V02723		JRV		11/2/00		linear	
C		V02783		JWS		11/29/00		scale 1:1	
D		V11167		RPM		4/9/01		dr	
E		V12829		CGD		12/18/01		enr	
F		M06-0353		MHT		9/06/06		chr	
								appd	
								B.MATTHEWS 12/18/01	
sheet index		revision		F		F		F	
		sheet		1		2		3	

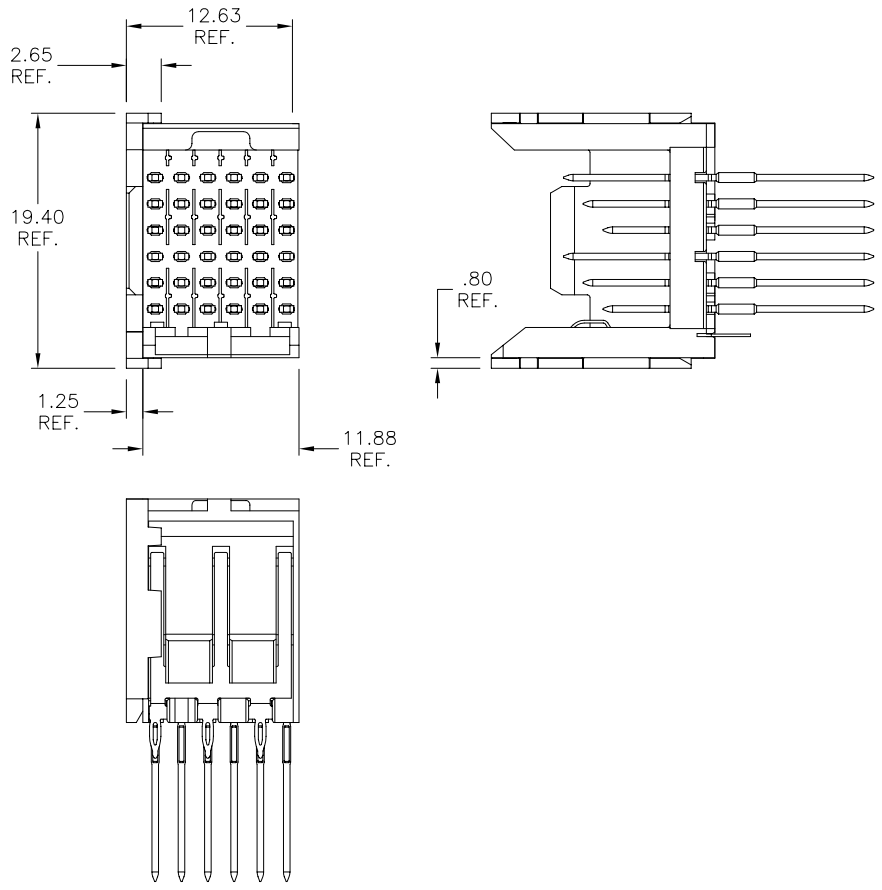


Copyright FCI

PRODUCT NUMBER	APPLICATION
73996-011	5 ROW HEADER & SHROUD

⑥ -011 CAN BE APPLIED TO:

HEADER P/N	SHROUD P/N
55406	52000
73983	73475
74977	73993
84817	74773
85834	84621
85854	84818
89006	89055
89007	98161
89008	-
89009	-
89099	-



- NOTES
- 1-MATERIAL-NYLON 30% GLASS-FILLED  
FLAME RETARDANT ACC. UL 94-VO  
COLOR-NATURAL
  - 2-SHOWN WITH, A METRAL 1000 5-ROW, 12MM HEADER,  
WHICH MUST BE ORDERED SEPARATELY
  - 3-END WALL CAN BE USED ON EITHER SIDE OF HEADER
  - 4-ENDWALL CAN ALSO BE USED WITH STANDARD METRAL  
5-ROW HEADERS & SHROUDS
  - 5-REFERENCE PRODUCT SPEC GS-12-199.
  - ⑥ THIS TABLE IS NOT A COMPLETE LISTING BUT  
REPRESENTS APPLICABLE PRODUCT OFFERINGS.  
FOR OTHER PRODUCT OFFERINGS, CONTACT YOUR  
LOCAL FCJ OFFICE.

73996-011

mat'l. code		surface ISO 1302		tolerance ISO 406 ISO 1101		projection MM		product family METRAL ACC.	
ltr	ecn	no	dr	date		tolerances unless otherwise specified		title HEADER/SHROUD END WALL	
F						angles linear		scale 1:1	
sheet index		revision sheet		dr		C.DAILY		12/18/01	
				enrg		B.MATTHEWS		12/18/01	
				chr		B.MATTHEWS		12/18/01	
				appd		B.MATTHEWS		12/18/01	
								FCJ	
								dwg no	
								73996	
								sheet 2 of 3 size	
								A3	
								type	
								Product Customer Drawing	

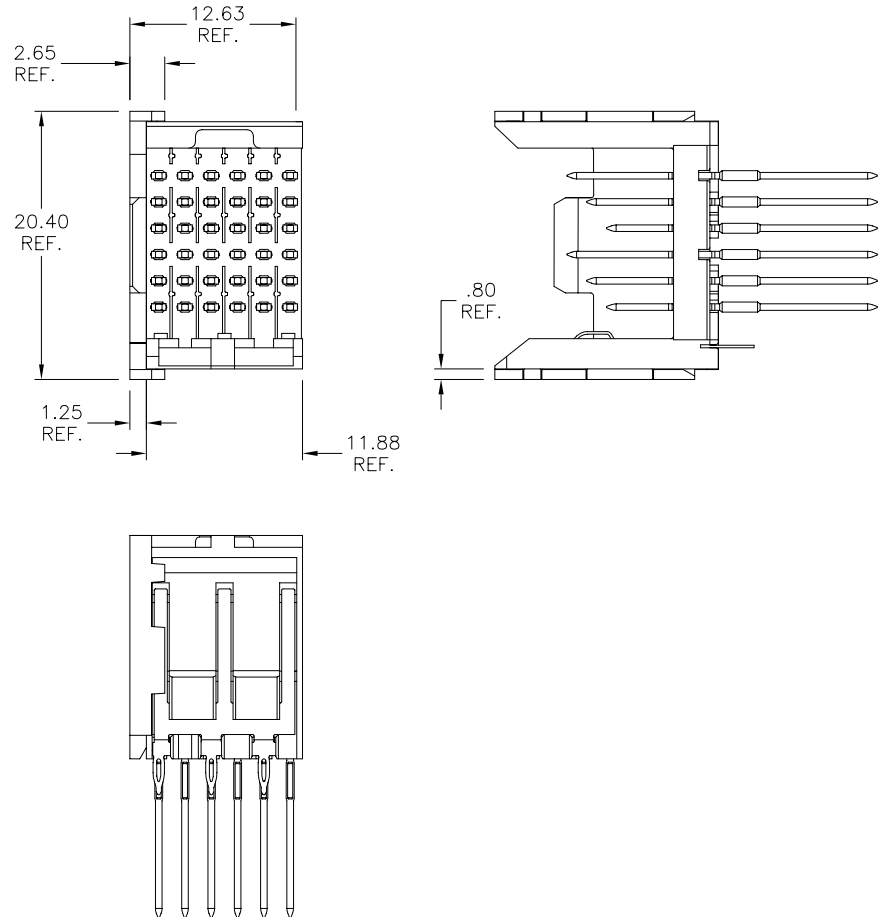


FCJconnect.com

Copyright FCJ

PRODUCT NUMBER	APPLICATION
73996-012	5 ROW THICK CARD HEADER

⑥ -012 CAN BE APPLIED TO:	
HEADER P/N	SHROUD P/N
84881	84882
84809	84811



NOTES

- 1-MATERIAL-NYLON 30% GLASS-FILLED  
FLAME RETARDANT ACC. UL 94-VO  
COLOR-NATURAL
- 2-SHOWN WITH, A METRAL 1000 5-ROW, 12MM HEADER,  
WHICH MUST BE ORDERED SEPARATELY
- 3-END WALL CAN BE USED ON EITHER SIDE OF HEADER
- 4-ENDWALL CAN ALSO BE USED WITH STANDARD METRAL  
5-ROW THICK CARD HEADERS & SHROUDS
- 5-REFERENCE PRODUCT SPEC GS-12-199.

⑥ THIS TABLE IS NOT A COMPLETE LISTING BUT REPRESENTS APPLICABLE PRODUCT OFFERINGS. FOR OTHER PRODUCT OFFERINGS, CONTACT YOUR LOCAL FCI OFFICE.

73996-012

mat'l. code		surface ISO 1302 ✓		tolerance ISO 406 ISO 1101		projection ⊕		product family METRAL ACC.	
ltr	ecn	no	dr	date		tolerances unless otherwise specified		title	
F						angles linear		HEADER/SHROUD END WALL	
						MM			
						scale 1:1		dwg no	
						FCJ		sheet 3 of 3 size	
								73996 A3	
								type Product Customer Drawing	
sheet index	revision sheet								

Copyright FCI  
FCIconnect.com