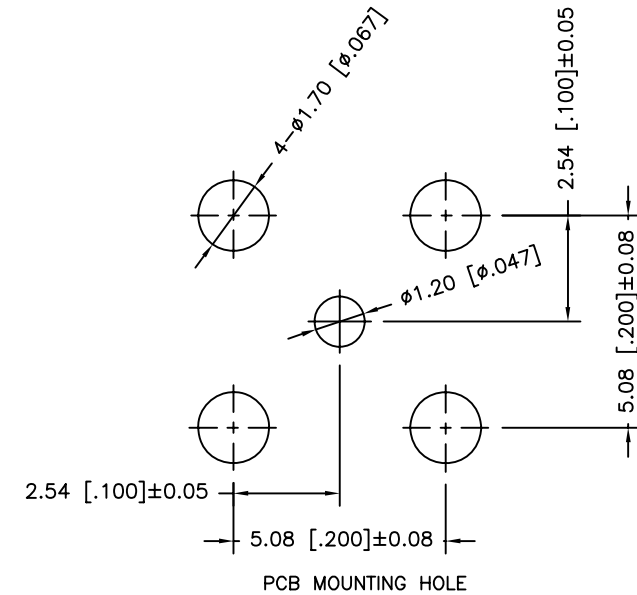
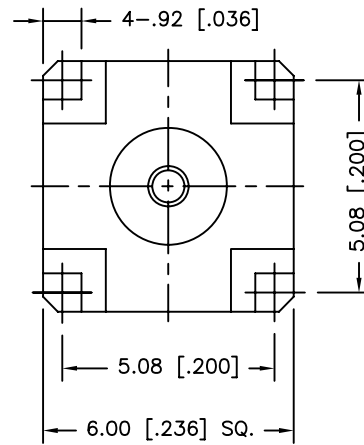
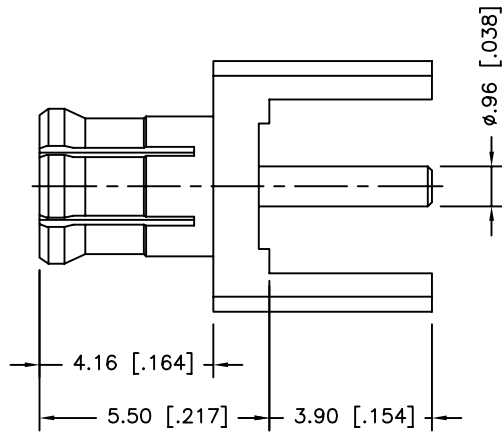


REV.	DATE	ECR NO.	DESCRIPTION
NC	08/18/09	XXXXXX	INITIAL RELEASE



3	CONTACT PIN	BRASS	GOLD	1
2	INSULATOR	PTFE	NATURAL	1
1	BODY	BERYLLIUM COPPER	GOLD	1
	DESCRIPTION	MATERIAL	FINISH	QTY

<small>UNLESS OTHERWISE SPECIFIED DIMENSIONS ARE IN MILLIMETERS. DIMENSIONS IN [] ARE IN INCHES AND FOR CUSTOMER REFERENCE ONLY.</small> <small>UNLESS OTHERWISE SPECIFIED TOLERANCES FOR MILLIMETERS ARE:</small> 0.5 - 8mm ± 0.20mm 8 - 30mm ± 0.40mm 30 - 120mm ± 0.50mm <small>UNLESS OTHERWISE SPECIFIED TOLERANCES FOR INCHES ARE:</small> .020 - .315 = ± 0.007" .315 - 1.180 = ± 0.015" 1.180 - 4.724 = ± 0.020" DO NOT SCALE DRAWING	APPROVALS	DATE	
	DRAWN	J.CHENG	08/18/09
	CHECKED		
	ISSUED		
	SHEET	1 OF 1	
CAD FILE	C:/CONNEX/252153-10-75.DWG		

Amphenol Connex

PART DESCRIPTION			
MCX P.C. BOARD RECEPTACLE. PLUG 75 OHM			
PART NO.		252153-10-75	
DWG. NO.	252153-10-75.DWG	REV.	NC
SIZE	A	SCALE	NA