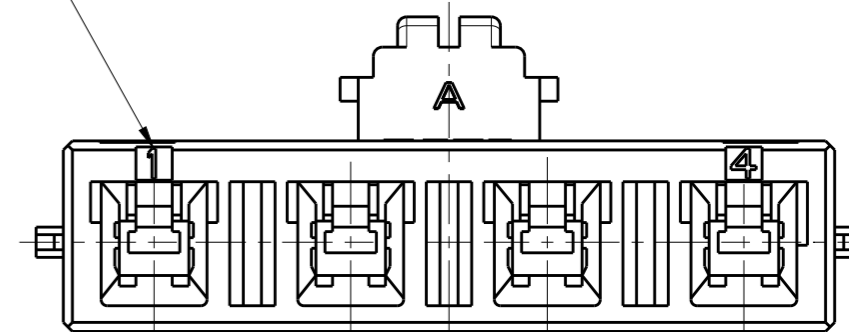
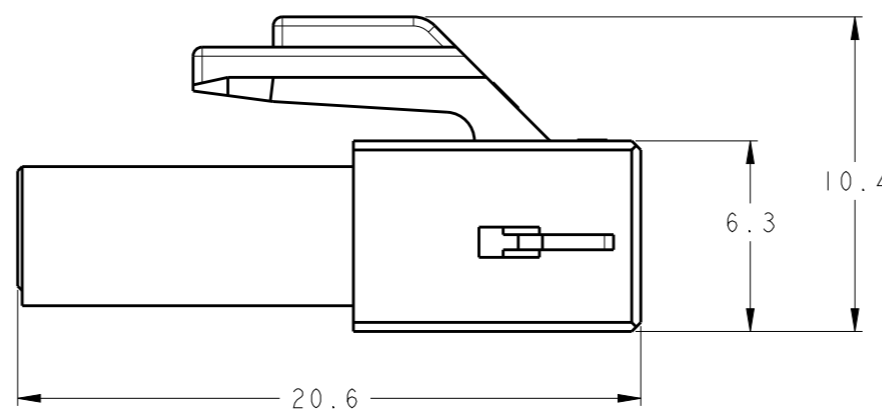
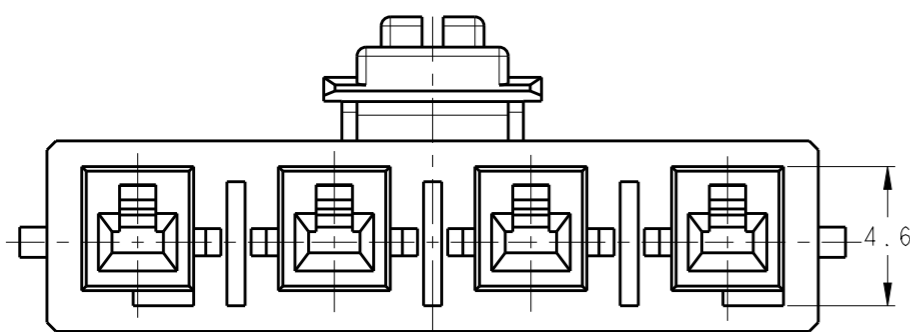
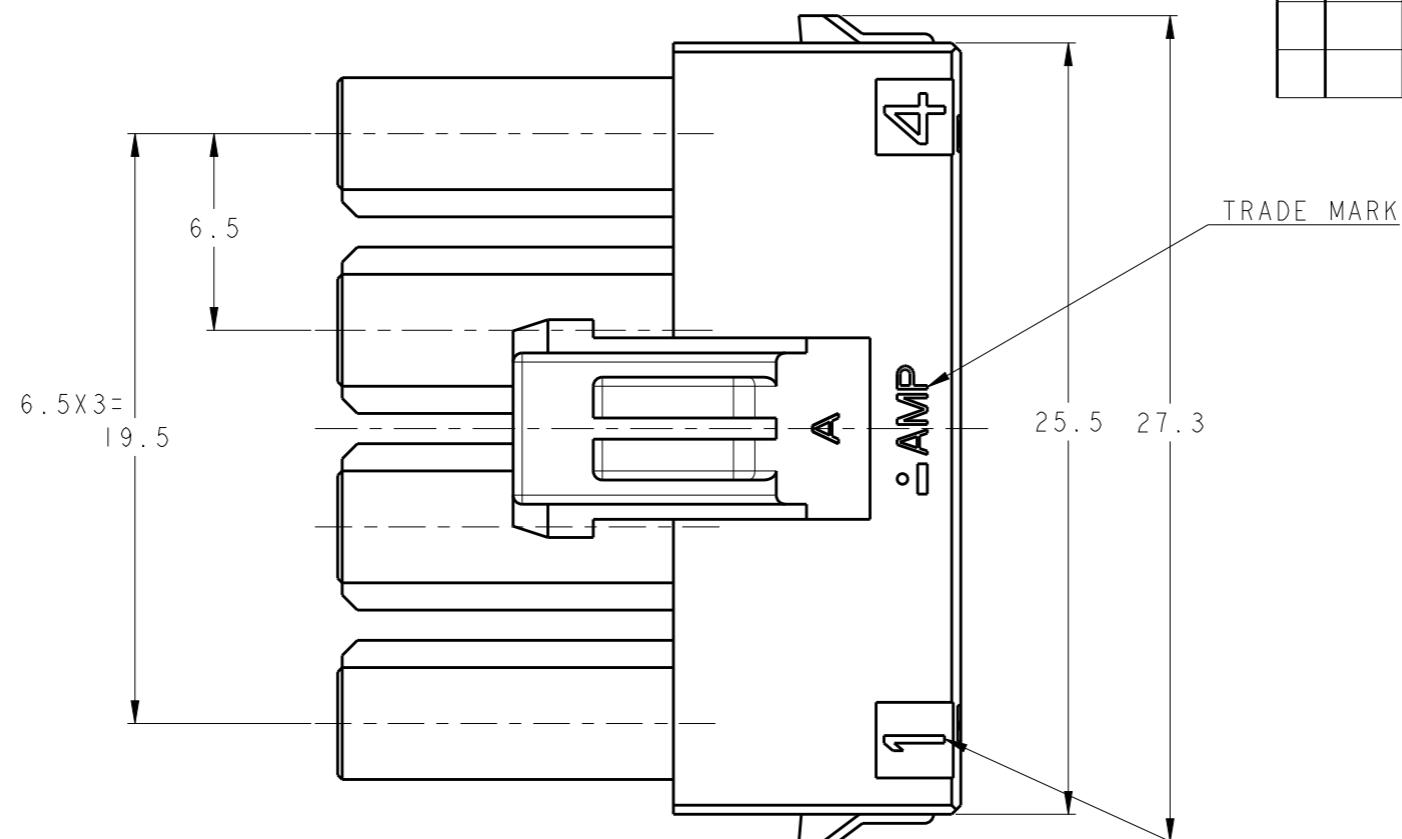


P	LTR	DESCRIPTION	DATE	DWN	APVD
A		RELEASED	28SEP'07	SC	JK
B		REVISED PER ECR-19-009721	01JUL2019	M.G	D.Z



NOTE

1. GENERAL TOLERANCES: ±0.25
2. THIS HOUSING ACCEPTS RECEPTACLE TERMINAL:
- REC CONTACT: 177914-1, 177915-1
3. APPLICABLE DOUBLE LOCK PLATE P/N: 316063-1
4. MATING CONN. P/N: X-179847-X
5. CIRCUIT NO.
6. MATERIAL:
- MATERIAL FOR 368573-1: PA6 UL94V-2
- MATERIAL FOR 1-368573-1: PA66 UL94V-0
COMPLY WITH GLOW WIRE REQUIREMENT FOR PARTS OF
NON-METALLIC MATERIALSUPPORTING A CURRENT-CARRYING
CONNECTION DETAILED IN IEC 60335-1, SECTION 30(GWT)

1-368573-1	NATURAL
368573-1	NATURAL
P/N	COLOR

THIS DRAWING IS A CONTROLLED DOCUMENT.		DWN SC KIM		TE Connectivity	
DIMENSIONS: mm		CHK BW KANG			
TOLERANCES UNLESS OTHERWISE SPECIFIED: 0 PLC ± 1 PLC ± 2 PLC ± 3 PLC ± 4 PLC ± ANGLES ±		APVD JK SONG		NAME PDL 4P PLUG HSG 6.5MM S/R (GWT)	
		PRODUCT SPEC 108-5410		SIZE A3	
MATERIAL 6		FINISH -		APPLICATION SPEC 114-5175	
		WEIGHT -		CAGE CODE 00779	
		CUSTOMER DRAWING		DRAWING NO G-368573	
				RESTRICTED TO -	
				SCALE 4:1	
				SHEET 1 OF 1	
				REV B	