

GMSTBVA 2,5/ 5-G

Order No.: 1766699

The figure shows a 10-position version of the product

<http://eshop.phoenixcontact.de/phoenix/treeViewClick.do?UID=1766699>Header, Nominal current: 12 A, Nom. voltage: 400 V, Pitch: 7.5 mm,
Number of positions: 5, Color: green, Assembly: Soldering

Commercial data

EAN	4017918032715
Pack	50 pcs.
Customs tariff	85366990
Weight/Piece	0.002621 KG
Catalog page information	Page 277 (CC-2009)

Product notes

WEEE/RoHS-compliant since:
01/01/2003

<http://www.download.phoenixcontact.com>
Please note that the data given here has been taken from the online catalog. For comprehensive information and data, please refer to the user documentation. The General Terms and Conditions of Use apply to Internet downloads.

Technical data

Dimensions / positions

Length	8.6 mm
Pitch	7.5 mm
Dimension a	30 mm
Number of positions	5
Pin dimensions	1 x 1 mm

Hole diameter	1.4 mm
Technical data	
Insulating material group	I
Rated surge voltage (III/3)	6 kV
Rated surge voltage (III/2)	6 kV
Rated surge voltage (II/2)	6 kV
Rated voltage (III/2)	630 V
Rated voltage (II/2)	630 V
Connection in acc. with standard	EN-VDE
Nominal current I_N	12 A
Nominal voltage U_N	400 V
Maximum load current	12 A
Insulating material	PA
Inflammability class acc. to UL 94	V0

Certificates / Approvals



Certification CB, CSA, CUL, GOST, UL, VDE-PZI

CSA

Nominal voltage U_N	300 V
Nominal current I_N	10 A

CUL

Nominal voltage U_N	300 V
Nominal current I_N	10 A

UL

Nominal voltage U_N	300 V
Nominal current I_N	10 A

Accessories

Item	Designation	Description
Assembly		
1755477	MSTB-BL	Keying cap, for forming sections, plugs onto header pin, green insulating material

Marking		
0804455	SK 7,5/3,8:FORTL.ZAHLEN	Marker card, self-adhesive, 10-section marker strip, 12 identical decades marked 1-10, 11-20 etc. up to 91-100, sufficient for 120 terminal blocks

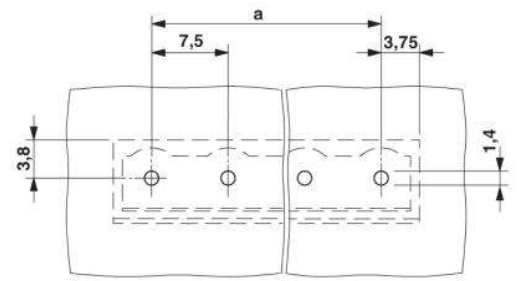
Plug/Adapter		
1734401	CR-MSTB	Coding section, inserted into the recess in the header or the inverted plug, red insulating material

Additional products

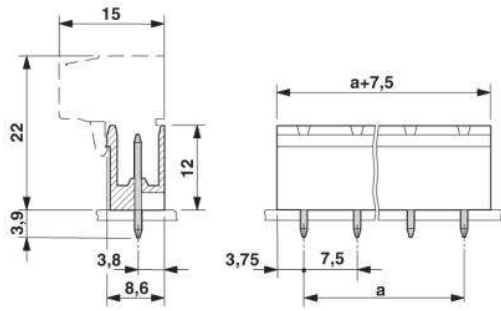
Item	Designation	Description
General		
1766916	GMSTB 2,5/ 5-ST	Plug component, Nominal current: 12 A, Nom. voltage: 400 V, Pitch: 7.5 mm, Number of positions: 5, Connection type: Screw connection, Color: green
1737738	GMVSTBR 2,5/ 5-ST	Plug component, Nominal current: 12 A, Nom. voltage: 500 V, Pitch: 7.5 mm, Number of positions: 5, Connection type: Screw connection
1737848	GMVSTBW 2,5/ 5-ST	Plug component, Nominal current: 12 A, Nom. voltage: 500 V, Pitch: 7.5 mm, Number of positions: 5, Connection type: Screw connection, Color: green

Diagrams/Drawings

Drilling plan/solder pad geometry



Dimensioned drawing



Address

PHOENIX CONTACT Inc., USA
586 Fulling Mill Road
Middletown, PA 17057, USA
Phone (800) 888-7388
Fax (717) 944-1625
<http://www.phoenixcon.com>



© 2010 Phoenix Contact
Technical modifications reserved;