

PART NUMBER	ENG. NUMBER	DIM. "A"
051-24-1040	71626-2000	.092
051-24-1041	71626-2001	.079
71626-2002	71626-2002	.125

REV	DESCRIPTION
G	ADD COSMETIC NOTE FC NO: UCP2006-3051 DRAWN BY: BARRA 2006/07/10 CHKD BY: ORGAN 2006/07/10 APPR: SMILLER 2006/07/11

QUALITY SYMBOLS	
$\nabla=0$	
$\nabla=0$	

GENERAL TOLERANCES (UNLESS SPECIFIED)	
mm	INCH
4 PLACES ± .005	± .0005
3 PLACES ± .010	± .0010
2 PLACES ± 0.13	± .01
1 PLACE ± 0.25	± .01
ANGULAR ± 1/2°	

DIMENSION STYLE	
IN/MM	
DRAWN BY	DATE
SCHMIDGALL	1993/07/20
CHECKED BY	DATE
MOS	1993/07/20
APPROVED BY	DATE
BIXLER	1993/07/20
MATERIAL NO.	
SEE TABLE	

SCALE	DESIGN UNITS	THIRD ANGLE PROJECTION
4:1	INCH	\odot \square
.050 PITCH LFH 160 CKT RIGHT ANGLE I/O FEMALE SALES ASSEMBLY		
MOLEX INCORPORATED		SHEET NO. 1 OF 2
SDA-71626-200*		
THIS DRAWING CONTAINS INFORMATION THAT IS PROPRIETARY TO MOLEX INCORPORATED AND SHOULD NOT BE USED WITHOUT WRITTEN PERMISSION		

NOTES:

1) MATERIALS:

HOUSING: GLASS FILLED LCP (LIQUID CRYSTAL POLYMER),
UL 94V-0, COLOR: BLACK.
TAIL ALIGNER: GLASS FILLED LCP (LIQUID CRYSTAL POLYMER),
UL 94V-0, COLOR: BLACK.
MOLDED STICK: LCP 30% GLASS FILLED, 94V-0, BLACK.
FEMALE CONTACT: BERYLLIUM COPPER .0100±.0005 THICK.
OUTER SHELL: LOW CARBON STEEL.
THREADED INSERT: BRASS.

2) PLATING :

TERMINAL: .000030/(0.00076) MINIMUM GOLD IN SELECTIVE AREA;
.000100/(0.00254) MINIMUM TIN IN SELECTIVE AREA;
OVER NICKEL UNDERPLATE OVERALL.

OUTER SHELL: .000150/(0.00381) MINIMUM TIN OVER
.000050/(0.00127) MINIMUM NICKEL OVER
COPPER FLASH (OPTIONAL).

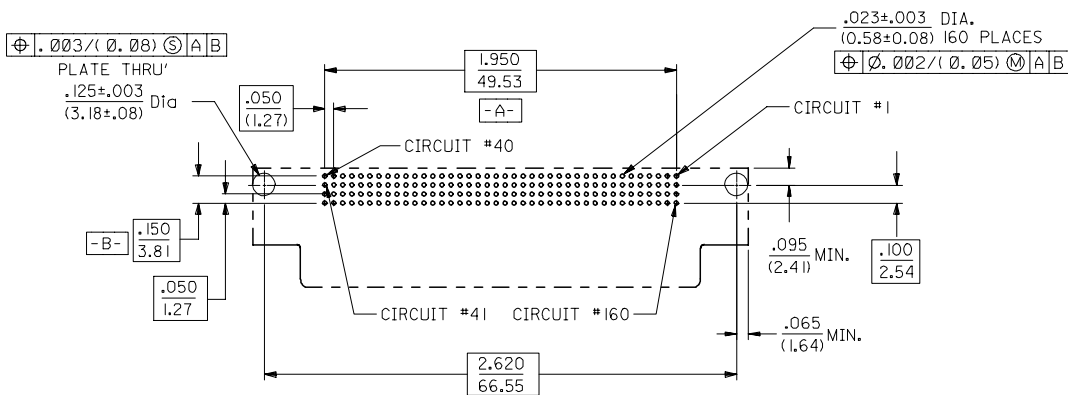
3) THIS PART CONFORMS TO MOLEX PRODUCT SPECIFICATION PS-71626.

4) PACKAGING SPECIFICATION PK-70873-0229 APPLIES.

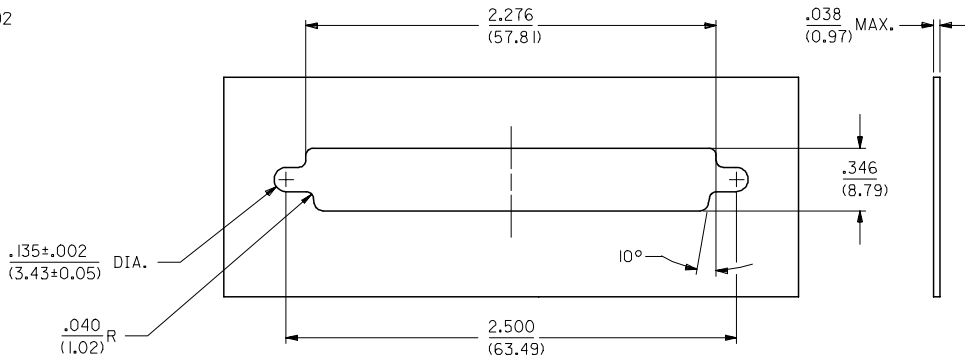
5) PART COMPLIES WITH CLASS B OF COSMETIC SPECIFICATION PS-45499-002

NOTE FOR LEAD FREE CONVERSION:

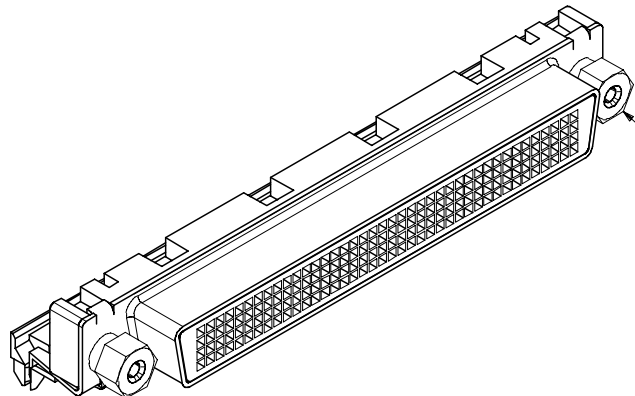
THE PRIMARY SHIPPING CARTON WILL BE
LABELED 'COMPLIANT TO RoHS DIRECTIVE
2002/95/EC AND ELV ANNEX II OF
DIRECTIVE 2000/53/EC'. CARTONS
WITHOUT THIS LABEL MAY CONTAIN
PRODUCT WITH LEAD.



RECOMMENDED PC BOARD LAYOUT
COMPONENT SIDE



PANEL CUT-OUT DIMENSIONS
ALL TOLERANCES ±.003/(0.08)
UNLESS OTHERWISE STATED.



FOR OPTIONAL HARDWARE DETAILS
SEE SDA-71629-*****

ADD NOTE 5 FC NO: UCP2006-3051 DRWN:MS:BARRA 2006/07/10 CHKD:DMORGAN 2006/07/10 APPR:SMILLER 2006/07/11	QUALITY SYMBOLS ▽=0 ▽=0	GENERAL TOLERANCES (UNLESS SPECIFIED)		DIMENSION STYLE IN/MM		SCALE 2:1	DESIGN UNITS INCH	THIRD ANGLE PROJECTION			
		4 PLACES ± --- ± ---	3 PLACES ± --- ± .010	DRAWN BY SCHMIDGALL	DATE 1993/07/20	TITLE .050 PITCH LFH 160 CKT RIGHT ANGLE I/O FEMALE SALES ASSEMBLY					
		2 PLACES ± 0.25 ± ---	1 PLACE ± --- ± ---	CHECKED BY MOS	DATE 1993/07/20	APPROVED BY BIXLER					
		ANGULAR ±1/2°		MATERIAL NO. SEE TABLE		DOCUMENT NO. SDA-71626-200*		SHEET NO. 2 OF 2			
DRAFT WHERE APPLICABLE MUST REMAIN WITHIN DIMENSIONS				THIS DRAWING CONTAINS INFORMATION THAT IS PROPRIETARY TO MOLEX INCORPORATED AND SHOULD NOT BE USED WITHOUT WRITTEN PERMISSION							