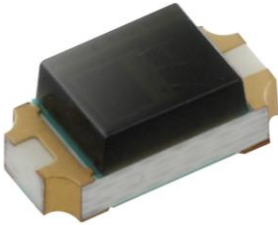


Ambient Light Sensor – Surface Mount EAALSDIC3215A0



Features

- Monolithic IC containing photodiode and current amplifier
- Human-eye spectral response and excellent IR-cut (from 700 to 1050 nm)
- Wide dynamic range: 1lx to 30,000lx
- Excellent output to illuminance linearity
- Size : 3.2mm(L)*1.5mm(W)*1.1mm(H)
- Very low (< 3%) photocurrent fluctuation versus temperature change (0 to 60 °C)
- Supply voltage range: 1.8V to 5.5V
- Standby current: <1 uA
- Light to Current, analog output
- Operating temperature performance, -40oC to 85oC
- RoHS compliant and Pb Free package
- Compliance with EU REACH.

Description

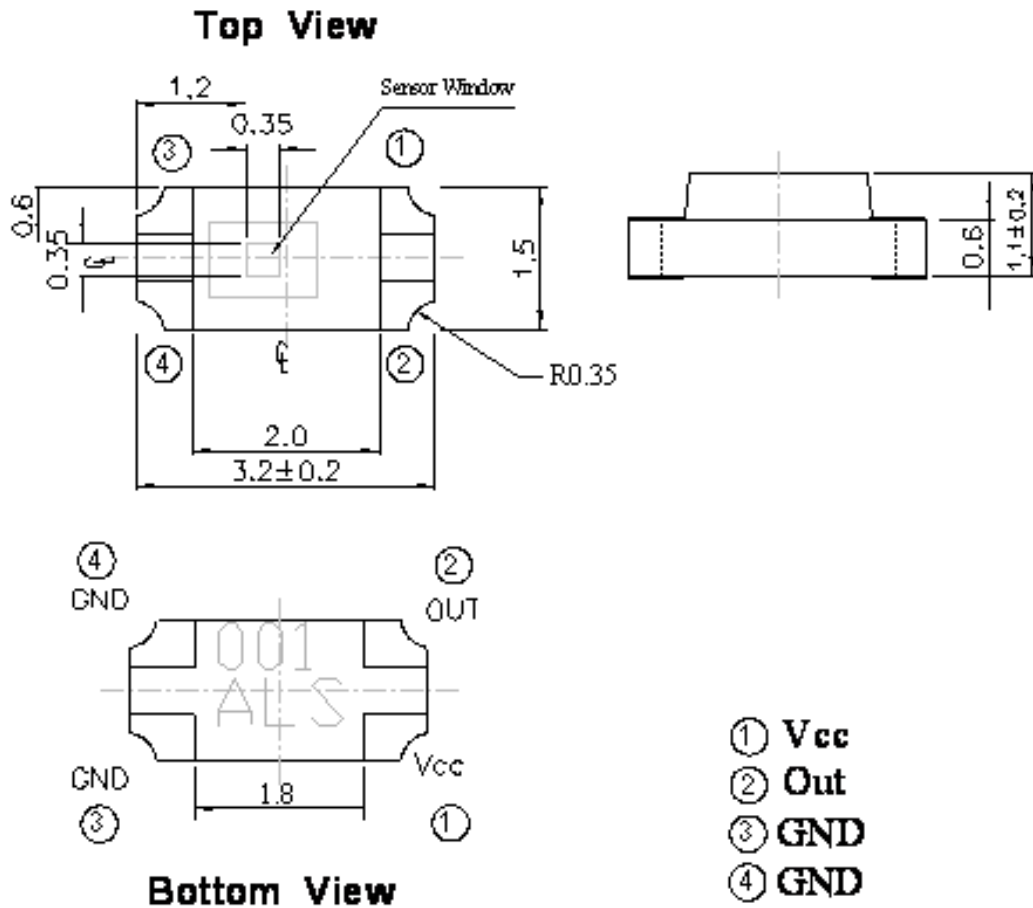
The EAALSDIC3215A0 is a compact surface mount photo-sensor IC for detecting ambient light illuminating intensity. The sensitivity is superior to that of a phototransistor, and exhibits little chip-to-chip variation. It has excellent spectral sensitivity to the illuminating light source and excellent output linearity. It is suitable in the power-saving control for backlighting displays in mobile phones.

Applications

- Detection of ambient light to control display backlighting
 - Mobile devices – mobile phones, PDAs
 - Computing device – TFT LCD monitor for Notebook computer
 - Consumer device – TFT LCD TV, plasma TV, video camera, digital camera, toys
- Automatic residential and commercial management
- Automatic contrast enhancement for electronic signboard
- Ambient light monitoring device for daylight and artificial light

– Street light, CCD/CCTV

Packaging dimension



Note: Tolerances unless mentioned ± 0.1 mm. Unit = mm

Absolute Maximum Ratings (Ta=25°C)

Parameter	Symbol	Rating	Unit
Supply Voltage	V _{CC}	-0.5 ~ 6	V
Output Voltage	V _O	0 ~ V _{CC} -0.6	V
Output Photo Current	I _{PH}	0 ~ 5	mA
Operating Temperature	T _{opr}	-40 ~ +85	°C
Storage Temperature	T _{stg}	-40 ~ +100	°C
ESD	ESD _{HBM}	5500	V
	ESD _{MM}	700	V
Soldering Temperature	T _{sol}	260	°C

Note: For detail reflow time and the recommended temperature profile, please refer to page 9.

Recommended Operating Conditions (Ta=25°C)

Parameter	Symbol	Rating	Unit
Supply Voltage	V _{CC}	1.8 ~ 5.5	V
Operating Temperature	T _{opr}	-40 ~ +85	°C

Electro-Optical Characteristics (Ta=25°C)

Parameter	Symbol	Min.	Typ.	Max.	Unit	Condition	
Supply Current	I _{CC}	-----	90	-----	μA	E _V =1000Lux	
Dark Current	I _D	-----	-----	100	nA	E _V =0Lux	
Light Current	I _{PH1}	5	7.5	10	μA	V _{CC} =3V; E _V =100Lux (Note1, Fig. 2)	
	I _{PH2}	6	9	12	μA	V _{CC} =3V; E _V =1000Lux (Note2, Fig. 2)	
	I _{PH3}	50	75	100	μA	V _{CC} =3V; E _V =1000Lux (Note1, Fig. 2)	
Photocurrent Ratio	I _{PH2} / I _{PH1}	-----	1.2	-----	-----		
Saturation Output Voltage	V _O	2.2	2.4	-----	V	V _{CC} =3V; E _V =1000Lux R _L =150KΩ (Fig. 3)	
Peak Sensitivity Wavelength	λ _P	-----	550	-----	nm		
Switching Time	Rise Time	t _r	-----	11	1000	μS	
	Fall Time	t _f	-----	400	2000	μS	V _{CC} =3V; E _V =1000Lux R _L =150KΩ
	Delay Time	t _d	-----	250	-----	μS	(Fig. 4)
	Storage Time	t _s	-----	35	-----	μS	

Note:

1. White Fluorescent light (Color Temperature = 6500K) is used as light source. However, White LED is substituted in mass production.
2. Illuminance by CIE standard illuminant-A / 2856K, incandescent lamp.

Fig.1 Block Diagram

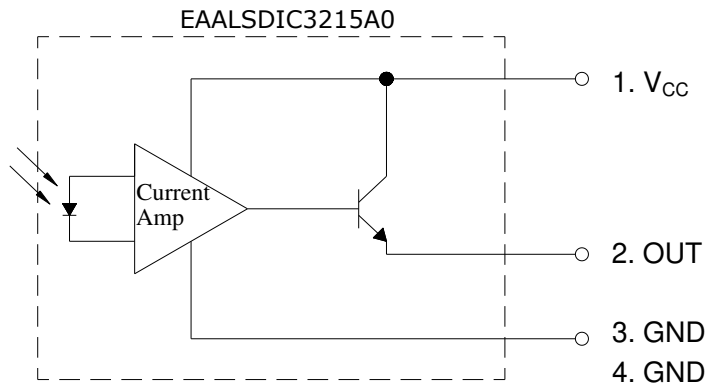


Fig. 2 Measurement Method of Light Current

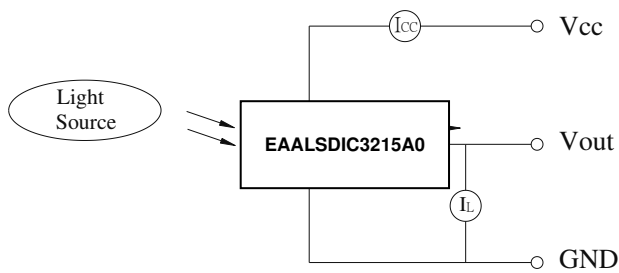


Fig.3 Measurement Method of Saturation Output Voltage

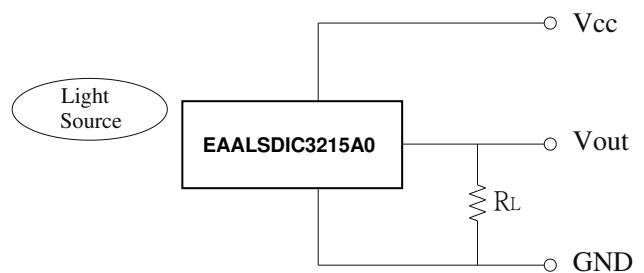
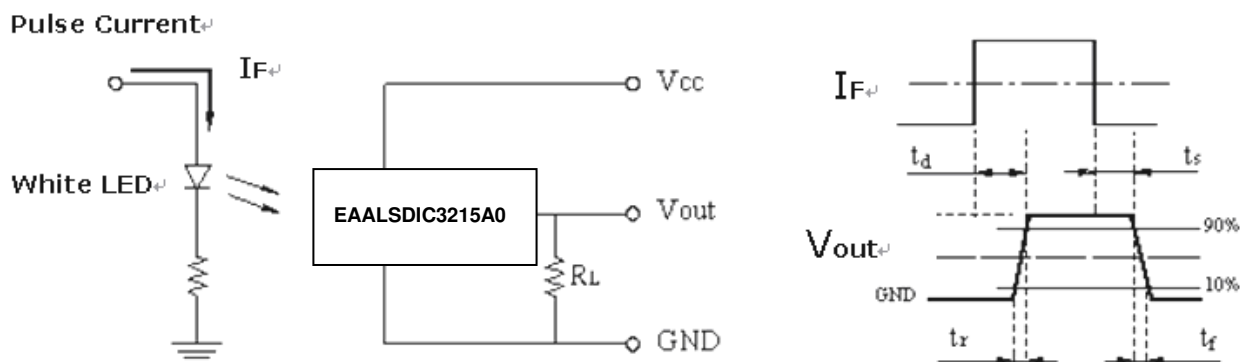
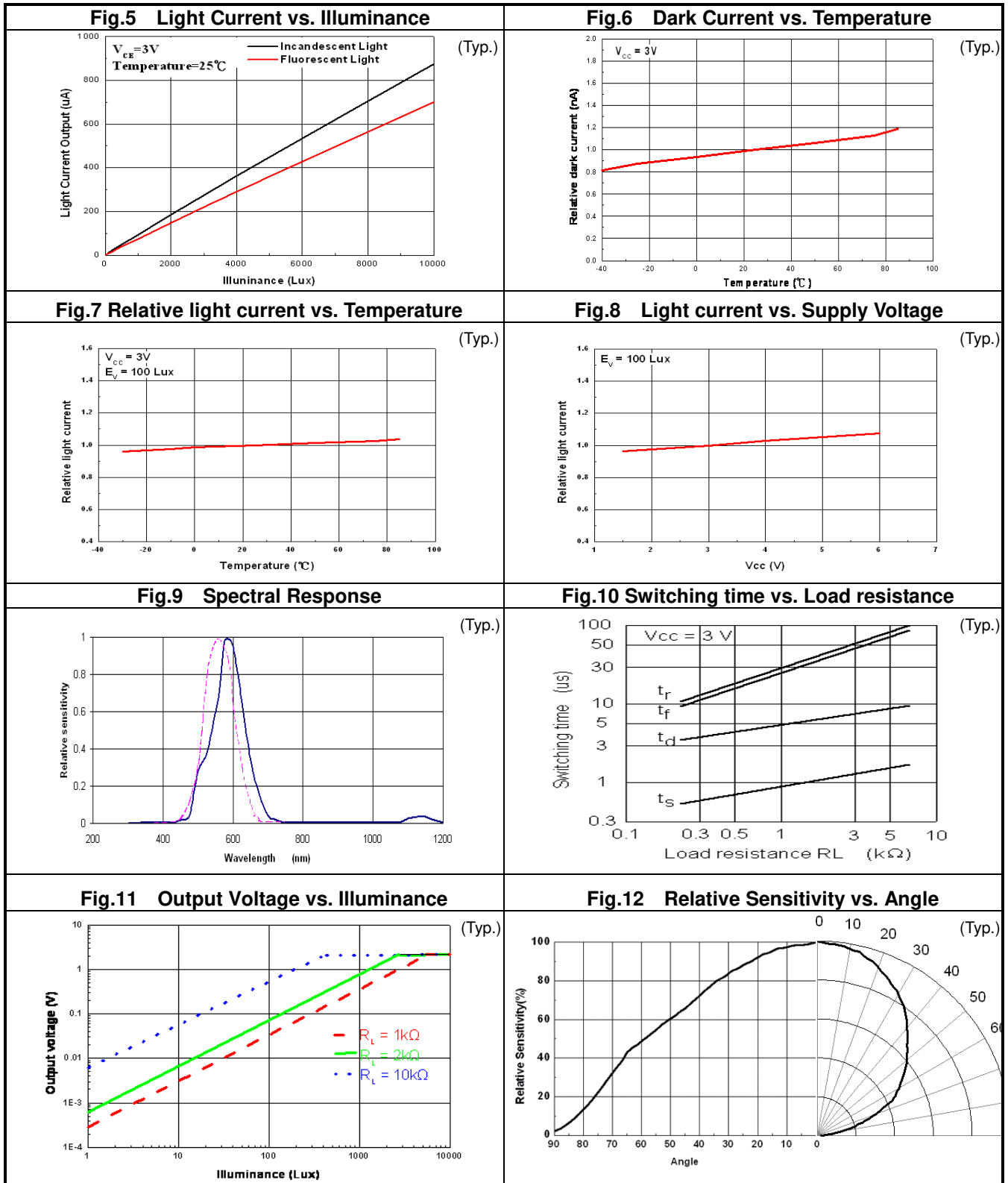


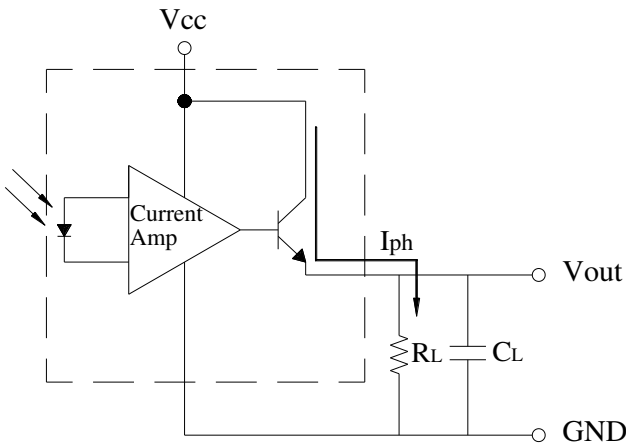
Fig.4 Switching Time Measurement Method



Typical Electro-Optical Characteristics Curves



Converting Photocurrent to Voltage



Note:

1. The output voltage (Vout) is the product of photocurrent (IPH) and loading resistor (RL)
2. A right loading resistor shall be chosen to meet the requirement of maximum ambient light, and output saturation voltage:

$$V_{out(max.)} = I_{out(max.)} \times R_L \leq V_{out(saturation)} = V_{cc} - 0.6V$$

Packing Quantity Specification

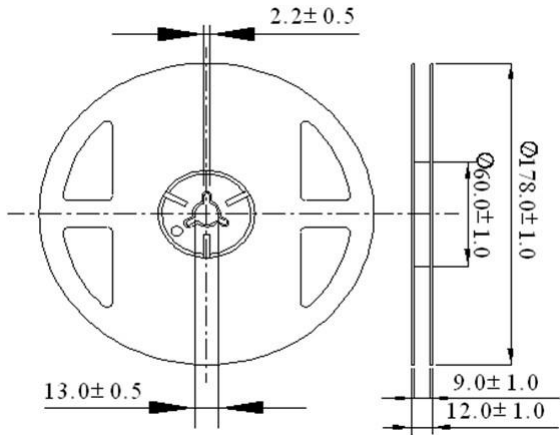
2000 PCS/ 1 Reel

Label Explanation

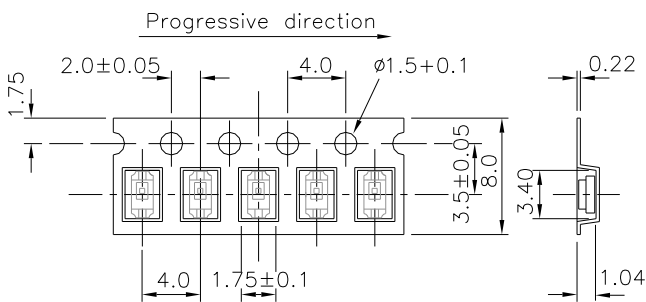


- CPN: Customer's Product Number
- P/N: Product Number
- QTY: Packing Quantity
- CAT: Luminous Intensity Rank
- HUE: Dom. Wavelength Rank
- REF: Forward Voltage Rank
- LOT No: Lot Number
- MADE IN TAIWAN: Production Place

Reel Dimensions

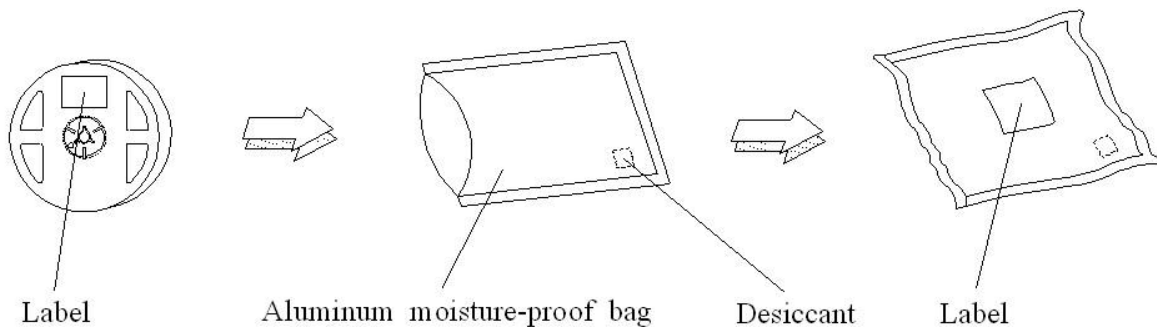


Carrier Tape Dimensions: Loaded Quantity 2000 pcs Per Reel



Note: Tolerances unless mentioned ± 0.1 mm. Unit = mm

Moisture Resistant Packing Process

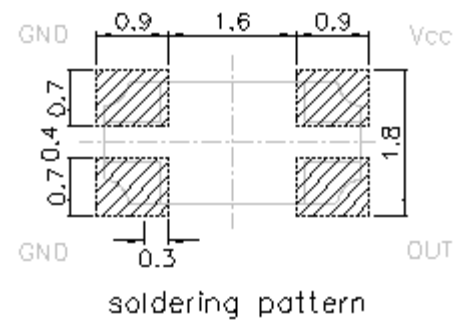
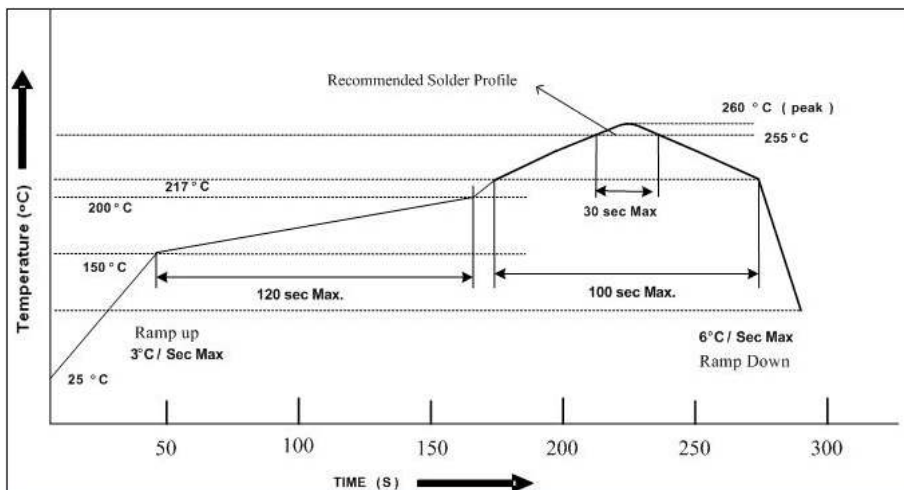


Note: Tolerances unless mentioned ± 0.1 mm. Unit = mm

Recommended method of storage

1. Do not open moisture proof bag before devices are ready to use.
2. Shelf life in sealed bag from the bag seal date: 18 months at 10°C~30°C and < 90% RH.
3. After opening the package, the devices must be stored at 10°C~30°C and 60%RH, and used within 168 hours (floor life).
4. If the moisture absorbent material (desiccant material) has faded or unopened bag has exceeded the shelf life or devices (out of bag) have exceeded the floor life, baking treatment is required.
5. If baking is required, refer to IPC/JEDEC J-STD-033 for bake procedure or recommend the following conditions:
 - 192 hours at 40°C +5/-0°C and < 5 % RH (reeled/tubed/loose units) or
 - 96 hours at 60°C ± 5°C and < 5 % RH (reeled/tubed/loose units) or
 - 24 hours at 125°C ± 5°C, not suitable for reel or tubes.

Recommended solder profile



Notice:

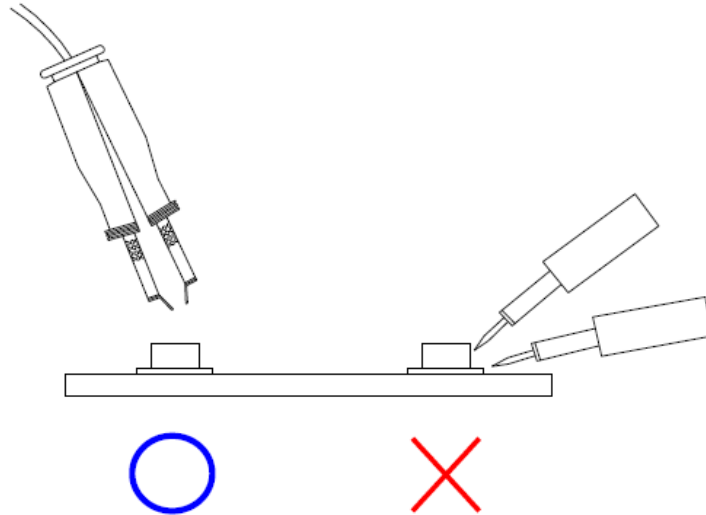
1. Reflow soldering should not be done more than two times.
2. When soldering, do not put stress on the devices during heating.
3. After soldering, do not warp the circuit board.
4. Reference: IPC/JEDEC J-STD-020D
5. Recommend soldering pad as drawing.

Soldering Iron

Each terminal is to go to the tip of soldering iron temperature less than 350°C for 3 seconds within once in less than the soldering iron capacity 25W. Leave two seconds and more intervals, and do soldering of each terminal. Be careful because the damage of the product is often started at the time of the hand solder.

Repairing

Repair should not be done after the device have been soldered. When repairing is unavoidable, a double-head soldering iron should be used (as below figure). It should be confirmed beforehand whether the characteristics of the device will or will not be damaged by repairing.



Note:

1. Above specification may be changed without notice. Everlight Americas will reserve authority on material change for above specification.
2. When using this product, please observe the absolute maximum ratings and the instructions for using outlined in these specification sheets. Everlight Americas assumes no responsibility for any damage resulting from use of the product which does not comply with the absolute maximum ratings and the instructions included in these specification sheets.
3. These specification sheets include materials protected under copyright of Everlight Americas Inc. Please don't reproduce or cause anyone to reproduce them without Everlight Americas's consent.