

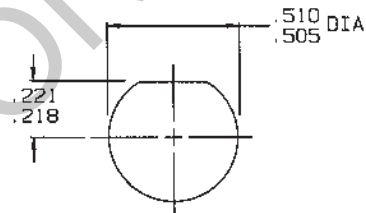
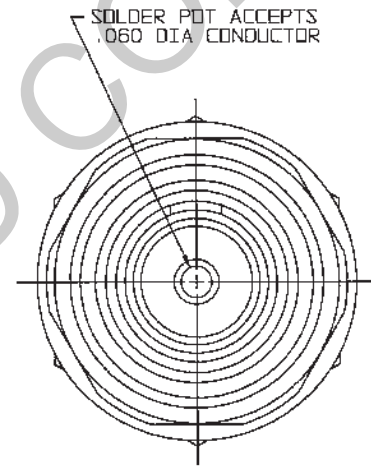
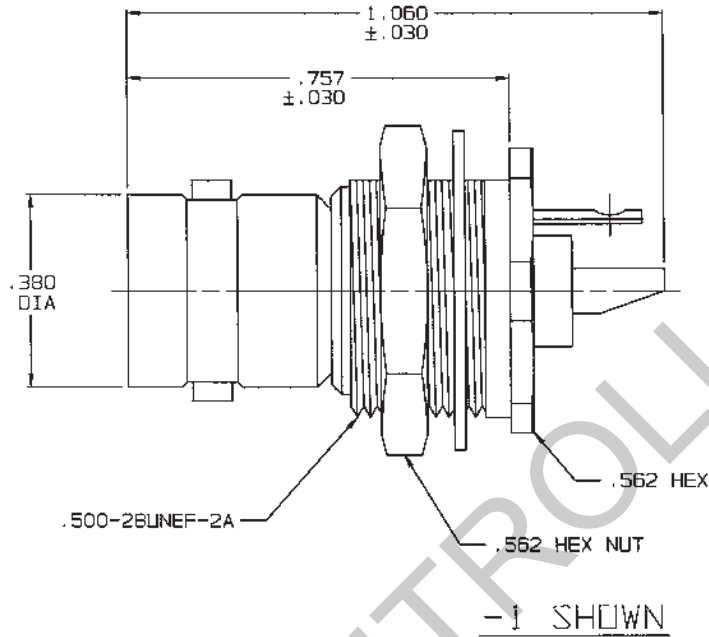
RED INDICATES ORIGINAL

DATA CONTAINED IN THIS DOCUMENT IS PROPRIETARY TO TROMPETER ELECTRONICS INC. AND SHALL NOT BE DISCLOSED, COPIED OR USED FOR PROCUREMENT OR MANUFACTURE WITHOUT EXPRESS WRITTEN PERMISSION.

DASH NO	MODEL NO	IMPD OHMS
-1	BJ21	50
-2	UBJ21	75

INCH	MM
.005	0.13
.030	0.76
.060	1.52
.147	3.73
.218	5.54
.221	5.61
.380	9.65
.505	12.83
.510	12.95
.562	14.27
.757	19.23
1.060	26.92

REV		ED	DESCRIPTION	OWN	APPROVED	DATE
D		13257	SH 2; ±.030 TOLERANCE REPLACES ±.003 ON .757 DIMENSION; SEE ECO	DKC	<i>[Signature]</i>	2/18/00



RECOMMENDED
PANEL CUTOUT
SCALE: 2/1

4. 50 & 75 OHM COAXIAL REAR MOUNT INSULATED 2-LUG BNC TYPE SOLDER POT BULKHEAD RECEPTACLE
3. MAX PANEL THK: .147
2. FINISH: TFS-1A (NICKEL)
1. ALL DIM ARE IN INCHES

QTY	DESCRIPTION	PART NUMBER	ITEM			
TOL UNLESS SPECIFIED .XX ± .XXX ± .005 .XXXX ± ANGLES ±			BJ21 / UBJ21			
OWN	DKC		2-3-00	MATERIAL	CODE IDENT	DRAWING NO.
CHK	<i>[Signature]</i>	2/18/00		14949	1-0010	D
ENGR	<i>[Signature]</i>					
APPR	<i>[Signature]</i>	2/18/00	SCALE 4/1	DATE 5-12-82	SHEET	1C

NEXT ASSY