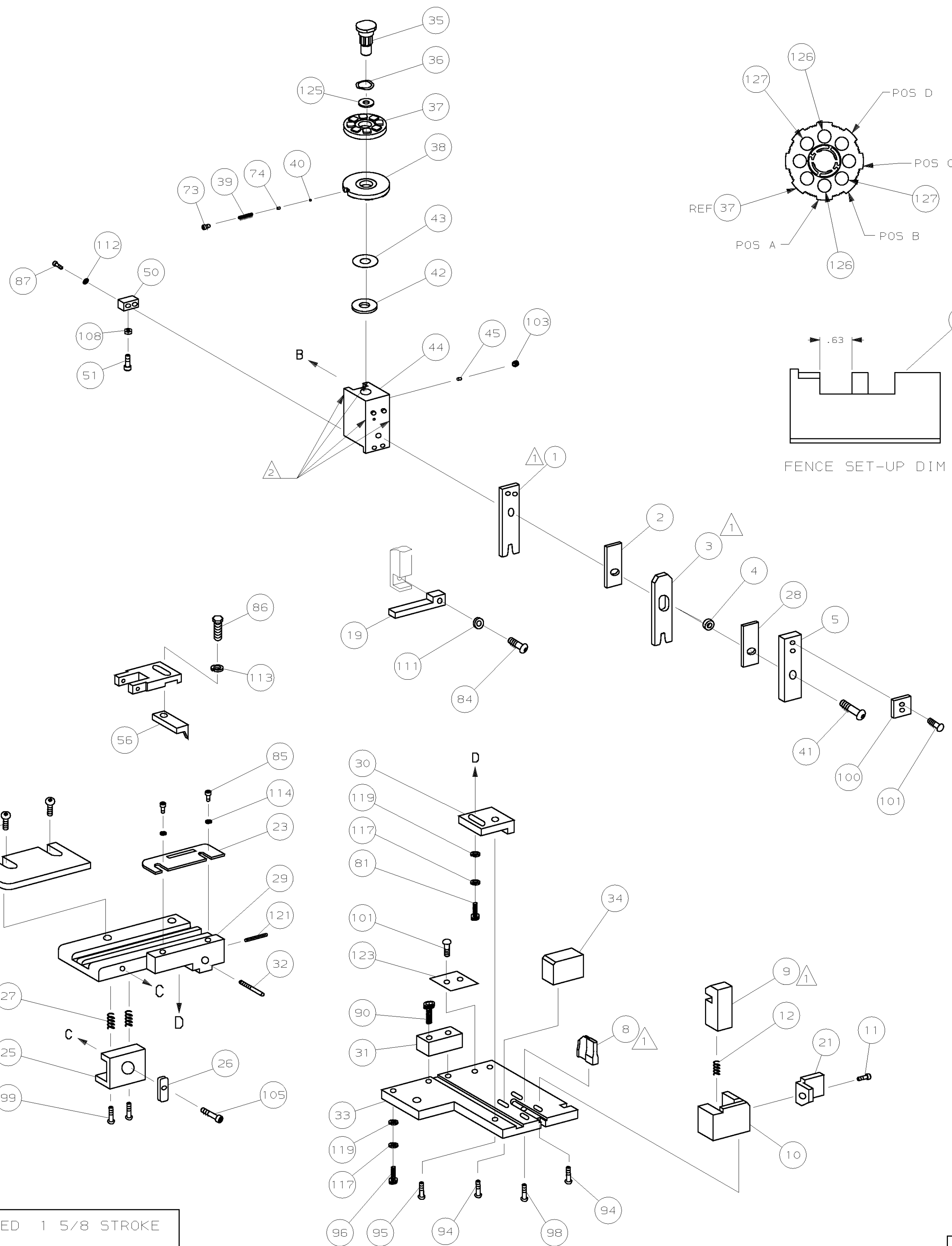


PART NUMBER	REV	FIRST USED
567907-1	D	854040-3

TERMINAL NAME:		CRIMPING DATA			
PIN CONTACT, SPECIAL		VISIBLE PAD LTR	CRIMP HEIGHT	WIRE SIZE	
787113		A	NOT	USED	
		B	NOT	USED	
		C	.025 ±.001	24	
		D	.023 ±.001	26-28	
CRIMP	SIZE	TYPE	RANGE		
WIRE	.042	F	28-24		
INSUL	.042	0	.020-.025		
FEED	APPL INST	SET UP GAGE	LAYOUT		
.300	SEE CUSTOMER MANUAL	NONE	L1585		
TERM APPL SPEC	-				
WIRE STRIP LENGTH	-				

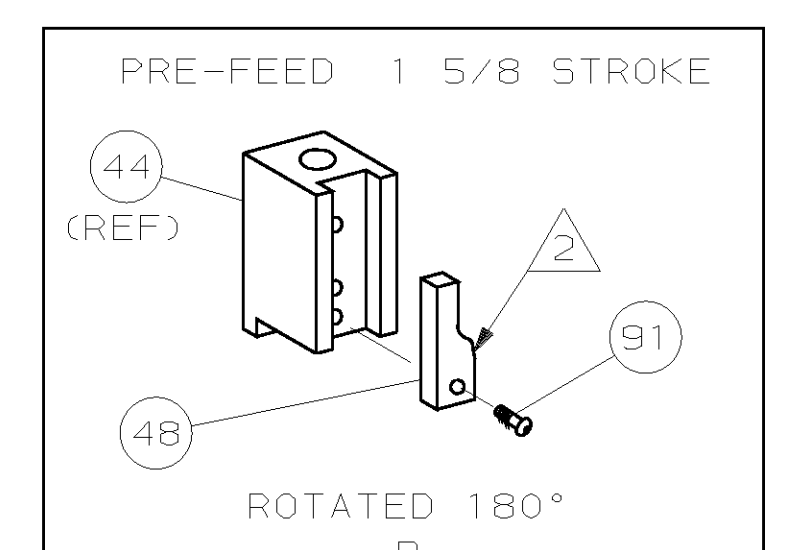
SIM TO HDM 680106					
QTY	REV	DESCRIPTION	PART NO	DESCRIPTION	ITEM NO
					70
					69
					68
					67
					66
					65
					64
					63
					62
					61
					60
					59
					58
					57
REF	-	B	694433-8	PAWL, FEED	56
					55
					54
					53
					52
1	-	A	811242-2	BUMPER, HOLDDOWN	51
1	-	A	690753-1	SPACER, TONKER	50
					49
1	-	A	690602-6	CAM, PRE-FEED 1.62 STROKE	48
					47
					46
1	-	A	690191-1	PLUG, NYLON	45
1	-	C	455673-1	RAM	44
1	-	A	690125-1	WASHER, LAMINATED	43
1	-	A	690124-1	WASHER, RAM	42
1	-	A	7-21002-9	BOLT, CRIMPER (5/16x1.00)	41
1	-	A	23241-6	BALL, STEEL	40
1	-	A	690170-1	SPRING, COMPRESSION	39
1	-	C	690142-1	DISC, INSULATION	38
1	-	D	354777-1	WIRE DISC, PLASTIC	37
1	-	A	22480-5	WASHER, SPRING	36
1	-	B	690212-1	POST, RAM	35
1	-	B	2-690786-3	SUPPORT, TERMINAL	34
1	-	C	462544-1	PLATE, BASE SPECIAL	33
1	-	A	690432-3	SCREW, ADJUSTMENT	32
1	-	B	462543-1	BLOCK, SCREW SPECIAL	31
1	-	B	455689-1	BLOCK, STRIP GUIDE ADJ	30
1	-	C	843869-1	PLATE, STRIP GUIDE	29
1	-	C	1-455888-4	SPACER, FRONT SHEAR DEP	28
2	-	A	1-22284-0	SPRING, DRAG	27
1	-	B	240793-1	LEVER, DRAG RELEASE	26
1	-	B	240792-1	DRAG, TERMINAL	25
1	-	D	6-690504-4	GUIDE, STRIP (REAR)	24
1	-	A	690438-1	GUIDE, STRIP (FRONT)	23
					22
1	-	A	463756-1	GUIDE, SCRAP	21
					20
REF	-	C	462615-1	STRIPPER	19
					18
					17
					16
					15
					14
					13
1	-	A	5-22280-0	SPRING, SHEAR	12
1	-	B	690461-2	STOP, SHEAR (FRONT)	11
1	-	B	462548-1	HOLDER, SHEAR (FRONT) SP	10
1	-	B	462547-1	SHEAR, FLOAT (FRONT) SP	9
1	-	C	6-683403-9	ANVIL	8
					7
					6
1	-	A	462838-1	DEPRESSOR, SHEAR (FRONT) SP	5
1	-	B	238011-7	SPACER, BLOCK CRIMPER	4
1	-	C	6-683454-9	CRIMPER, INSULATION	3
1	-	C	455888-6	SPACER, CRIMPER	2
1	-	C	2-456401-1	CRIMPER, WIRE	1

THIS DRAWING IS A CONTROLLED DOCUMENT.



QTY	REV	DESCRIPTION	PART NO	DESCRIPTION	ITEM NO
					129
					128
2	-	C	7-354779-6	PIN, WIRE DISC (.3370)B	127
2	-	C	7-354779-2	PIN, WIRE DISC (.3350)A	126
1	-	A	986950-1	WASHER, FLAT PRECISION	125
					124
1	-	B	690701-2	PLATE, SERIAL NO.	123
					122
1	-	A	4-21028-0	PIN, SLT SPR (Ø.093x.75) ST GDE PL	121
					120
2	-	A	21899-2	WASHER, FLAT (#10) S G ADJ BLK	119
					118
2	-	A	21024-5	WASHER, LOCK (#10) ADJ BLOCK	117
					116
					115
2	-	A	21024-2	WASHER, LOCK (#4) FRONT STP GUIDE	114
REF	-	A	21024-4	WASHER, LOCK (#8) FEED FINGER	113
2	-	A	21024-4	WASHER, LOCK (#8) DEP-HOLD	112
REF	-	A	21024-4	WASHER, LOCK (#8) STRIPPER	111
					110
					109
1	-	A	21018-5	NUT, HEX (#6) HOLD DOWN	108
					107
					106
1	-	A	22353-8	SCR, SHLD (Ø.187x.25) DRAG LEVER	105
					104
1	-	A	21009-2	SCR, SKT 5ET (1/4-20x.25 LW) RAM	103
					102
4	-	A	21017-2	SCR, DRIVE (#2x.19) ID PLATE	101
1	-	B	819347-1	PLATE, IDENTIFICATION	100
2	-	A	3-21002-0	SCR, BHC (10-32x.88) DRAG	99
1	-	A	22733-8	SCR, BHC (8-32x.38 LW) ANVIL	98
					97
1	-	A	3-21000-8	SCR, SHC (10-32x.88) MOUNTING	96
1	-	A	2-21002-7	SCR, BHC (10-32x.50) S6 ADJ BLK	95
4	-	A	2-21002-2	SCR, BHC (8-32x.50) SHEAR-TERM SUP	94
2	-	A	2-21002-1	SCR, BHC (8-32x.38) R STP GDE	93
					92
1	-	A	1-21002-7	SCR, SHC (6-32x.50) CAM	91
2	-	A	2-21000-7	SCR, SHC (8-32x.50) SCR BLK	90
					89
					88
2	-	A	2-21000-7	SCR, SHC (8-32x.48) DEP-HOLD DOWN	87
REF	-	A	2-22603-0	SCR, HEX HD (8-32x.31) FEED FINGER	86
2	-	A	1-21000-3	SCR, SHC (4-40x.25) F ST GUIDE	85
REF	-	A	22733-9	SCR, BHC (8-32x.50 SL) STRIPPER	84
					83
					82
1	-	A	3-22603-1	SCR, HEX (10-32x.38) S6 ADJ BL	81
					80
					79
					78
2	-	B	463310-8	BLADE, STRIPPING (#26)	77
					76
					75
1	-	A	690603-1	SPRING, ASSIST	74
1	-	A	23030-1	SCR, SKT CAP (6-32x.25) CP DSC	73
					72
					71

THIS DRAWING IS UNCLASSIFIED
DATE 08-14-02 BY 60322/UC/STP/STP



- 1 RECOMMENDED SPARE PARTS.
- 2 GREASE LIGHTLY.
- 3 ITEM NOT SHOWN
- 4 CUT TO LENGTH AT ASSEMBLY.

QTY	REV	DESCRIPTION	PART NO	DESCRIPTION	ITEM NO
-1	U/M	DWG SIZE			
REVISION OF EACH ASSY NO (WHEN BLANK, USE DWG REVISION)					
QTY REOD PER ASSY		PARTS LIST			

QTY	REV	DESCRIPTION	PART NO	DESCRIPTION	ITEM NO
-1	U/M	DWG SIZE			
REVISION OF EACH ASSY NO (WHEN BLANK, USE DWG REVISION)					
QTY REOD PER ASSY		PARTS LIST			

DIMENSIONS IN INCHES. DO NOT SCALE PRINT. TOLERANCES UNLESS OTHERWISE SPECIFIED:		MATL	HT TR	FIN
2 PLC DEC ±.02	3 PLC DEC ±.01			
4 PLC DEC ±.01				
ANGLES ±				
SURF TEXTURE:				
REMOVE BURRS, BREAK SHARP EDGES R.015 MAX				
DR 7/13/94 JC BAKER	APP 7/13/94 A BEDDICK			
CHK 7/13/94 C.ERISMAN	REL 9/22/94 B. MORGAN			
NAME		STRIPPER CRIMPER APPLICATOR		MACHINE REF
SCALE		DWG NO 567907		STRIPPER CRIMPER
SHEET 1 OF 1		REV D		