

GloTek, Inc. www.globtek.com 186 Veterans Drive, Northvale, NJ 07647 Tel. (201) 784-1000 Fax (201) 784-0111	Drawing Title: GT-81081-6015-1.5-T3, ICT/ITE Power Supply, Efficiency Level: IV @ 115V / III @ 230V, Case Color/Style: GlobTek Black, Desktop/External, Regulated Switchmode AC-DC Power Supply AC Adaptor, Input Rating: 100-240V , 50/60Hz, IEC 60320/C14 , Output Rating: 60W, 13.5V@4.44A, Output Configuration: 1830 mm, 18/1C + Shield Cond, UL 1185, Female Barrel 5.5*2.1*11mm No internal Spring Clip nor Locking Notch or Equal, Ferrite: None, GlobTek Black, GT Cord # C0632, Pin Out: Center Positive (+V), symbol compliant with IEC 60417 symbol no. 5926, Blades/Input Cord: (Order Separately), Approvals: UKCA; Conforms to 62368-1; FCC; China RoHS; CE; CB 60950; VCCI; NrCAN; WEEE; RoHS; EMC; NOM (12V and 15V); Ukraine; CCC; Class I; IRAM; PSE; cULus; Level IV 115V; Level III 230V; Korea (20V, 22V, 24V); ITE; Level 3; Korea (12V 14V Only); IP40; Korea (14V,14.1V, 15V, 16V, 19V); India BIS; GEMS (12V) pending; CB 62368; Taiwan BSMI (15V only); CU Kazakhstan; RCM; LPS 60950;	
	Model No. GT-81081-6015-1.5-T3	
	Part No./Ordering No. TR9CJ4444CCP-F(R)	Rev E

In Addition to GlobTek Inc.'s renewed ISO9001:2015 - Quality Management System Certification, GlobTek Inc. is now certified to:

ISO13485:2016 - Medical Devices Quality Management System Certification
ISO14001:2015 - Environmental Management System Certification

ISO Certificates are available online at <https://www.globtek.com/iso-certificates/>

The acceptance of this specification and use of the product described in this document indicates the acceptance and binding of the customer to Globtek TERMS AND CONDITIONS (attached to the end of this document), which supersede all other agreements, terms, and conditions (<https://en.globtek.com/terms-and-conditions/>).

The purchaser of this product (Customer) agrees that it is their sole responsibility to determine suitability/fitness of the product described in this specification for their application and to take precautions for protection against any hazards attendant to the handling and use of the product.

Footnote:

GlobTek Inc. will not be liable for the safety and performance of these power supplies/battery packs if unauthorized access and repair occurs. End user should consult applicable UL, CSA or EN standards for proper installation instruction.

Limitation of Use:

GlobTek products are intended for use with commercial, medical, and/or industrial equipment only. GlobTek product are not authorized for use as mission critical components in life support hazardous environment, nuclear or aircraft applications without prior written approval from the CEO of GlobTek Inc.

Contents of this document are subject to change without prior notice.

Customer Approval of Specification:

Please approve, sign and send back to GlobTek so we can complete order processing.
A delay in receipt of this form will delay delivery schedule.

Company Name: _____	Customer P/N: _____
Quote Number: _____	Date: _____
Authorized Representative Name: _____	Authorized Representative Signature: _____

GloTek, Inc. www.globtek.com 186 Veterans Drive, Northvale, NJ 07647 Tel. (201) 784-1000 Fax (201) 784-0111	Drawing Title: GT-81081-6015-1.5-T3, ICT/ITE Power Supply, Efficiency Level: IV @ 115V / III @ 230V, Case Color/Style: GlobTek Black, Desktop/External, Regulated Switchmode AC-DC Power Supply AC Adaptor, Input Rating: 100-240V , 50/60Hz, IEC 60320/C14 , Output Rating: 60W, 13.5V@4.44A, Output Configuration: 1830 mm, 18/1C + Shield Cond, UL 1185, Female Barrel 5.5*2.1*11mm No internal Spring Clip nor Locking Notch or Equal, Ferrite: None, GlobTek Black, GT Cord # C0632, Pin Out: Center Positive (+V), symbol compliant with IEC 60417 symbol no. 5926, Blades/Input Cord: (Order Separately), Approvals: UKCA; Conforms to 62368-1; FCC; China RoHS; CE; CB 60950; VCCI; NrCAN; WEEE; RoHS; EMC; NOM (12V and 15V); Ukraine; CCC; Class I; IRAM; PSE; cULus; Level IV 115V; Level III 230V; Korea (20V, 22V, 24V); ITE; Level 3; Korea (12V 14V Only); IP40; Korea (14V,14.1V, 15V, 16V, 19V); India BIS; GEMS (12V) pending; CB 62368; Taiwan BSMI (15V only); CU Kazakhstan; RCM; LPS 60950;	
	Model No. GT-81081-6015-1.5-T3	
	Part No./Ordering No. TR9CJ4444CCP-F(R)	Rev E

REVISION HISTORY

REV	DESCRIPTION	SUB	DATE	APPROVED
E	Update to SF format, update approvals	QA	05/10/2021	QA
D	UPDATE O/P CABLE TO 18AWG, UL1185	jsund	10/29/2010	QA
C	UPDATE O/P CABLE	jsund	04/01/2009	QA
B	UPDATE SPEC. FORMAT	jsund	03/11/2009	QA
A	INITIAL RELEASE	jsund	01/20/2006	QA

POWER SUPPLY INFORMATION

TYPE	Desktop/External
TECHNOLOGY	Regulated Switchmode AC-DC Power Supply AC Adaptor
CASE COLOR	GlobTek Black
NAMEPLATE RATED INPUT	100-240V , 50/60Hz, 1.5A
INPUT CONFIG	IEC 60320/C14
WATTS	60.00
VOLTS OUT	13.5
CURRENT OUT (Amps)	4.44
BLADE/CORD INCLUDED	None (Order Separately)
BLADE/CORD INSTALLED	None :(Order Separately)
INGRESS PROTECTION	IP40
GROUNDING CONFIGURATION	(E1) Earthed output
EFFICIENCY LEVEL	IV @ 115V / III @ 230V
OUTPUT CONFIGURATION	1830 mm, 18/1C + Shield Cond, UL 1185, Female Barrel 5.5*2.1*11mm No internal Spring Clip nor Locking Notch or Equal, Ferrite: None, GlobTek Black, GT Cord # C0632
OVERMOLDED	Yes
OUTPUT CONNECTOR GENDER	Female
CONNECTOR PIN OUT	Center Positive (+V), symbol compliant with IEC 60417 symbol no. 5926
LABEL SPECS	Standard GT,L-1186
SPECIAL BARCODE LABEL MATERIAL	No
PACK SPEC	Standard DT, Individually Box
USER MANUAL	

PROPRIETARY INFORMATION

PROPRIETARY OF GLOBTEK, INC. ANY REPRODUCTION, DISCLOSURE OR USE OF THIS DRAWING, IN WHOLE OR IN PART, IS HEREBY PROHIBITED EXCEPT AS SPECIFIED IN WRITING BY GLOBTEK, INC. © GlobTek, Inc. 2012 - 2023

<p>GlobTek, Inc. www.globtek.com 186 Veterans Drive, Northvale, NJ 07647 Tel. (201) 784-1000 Fax (201) 784-0111</p>	<p>Drawing Title: GT-81081-6015-1.5-T3, ICT/ITE Power Supply, Efficiency Level: IV @ 115V / III @ 230V, Case Color/Style: GlobTek Black, Desktop/External, Regulated Switchmode AC-DC Power Supply AC Adaptor, Input Rating: 100-240V , 50/60Hz, IEC 60320/C14 , Output Rating: 60W, 13.5V@4.44A, Output Configuration: 1830 mm, 18/1C + Shield Cond, UL 1185, Female Barrel 5.5*2.1*11mm No internal Spring Clip nor Locking Notch or Equal, Ferrite: None, GlobTek Black, GT Cord # C0632, Pin Out: Center Positive (+V), symbol compliant with IEC 60417 symbol no. 5926, Blades/Input Cord: (Order Separately), Approvals: UKCA; Conforms to 62368-1; FCC; China RoHS; CE; CB 60950; VCCI; NrCAN; WEEE; RoHS; EMC; NOM (12V and 15V); Ukraine; CCC; Class I; IRAM; PSE; cULus; Level IV 115V; Level III 230V; Korea (20V, 22V, 24V); ITE; Level 3; Korea (12V 14V Only); IP40; Korea (14V,14.1V, 15V, 16V, 19V); India BIS; GEMS (12V) pending; CB 62368; Taiwan BSMI (15V only); CU Kazakhstan; RCM; LPS 60950;</p>
	<p>Model No. GT-81081-6015-1.5-T3</p>
	<p>Part No./Ordering No. TR9CJ4444CCP-F(R) Rev E</p>

Notes/Modifications/Customizations (notes in this section supersede the values shown in the standard spec)

DIMENSIONS ARE IN MM UNLESS SPECIFIED OTHERWISE

GlobTek, Inc. www.globtek.com 186 Veterans Drive, Northvale, NJ 07647 Tel. (201) 784-1000 Fax (201) 784-0111	Drawing Title: GT-81081-6015-1.5-T3, ICT/ITE Power Supply, Efficiency Level: IV @ 115V / III @ 230V, Case Color/Style: GlobTek Black, Desktop/External, Regulated Switchmode AC-DC Power Supply AC Adaptor, Input Rating: 100-240V , 50/60Hz, IEC 60320/C14 , Output Rating: 60W, 13.5V@4.44A, Output Configuration: 1830 mm, 18/1C + Shield Cond, UL 1185, Female Barrel 5.5*2.1*11mm No internal Spring Clip nor Locking Notch or Equal, Ferrite: None, GlobTek Black, GT Cord # C0632, Pin Out: Center Positive (+V), symbol compliant with IEC 60417 symbol no. 5926, Blades/Input Cord: (Order Separately), Approvals: UKCA; Conforms to 62368-1; FCC; China RoHS; CE; CB 60950; VCCI; NrCAN; WEEE; RoHS; EMC; NOM (12V and 15V); Ukraine; CCC; Class I; IRAM; PSE; cULus; Level IV 115V; Level III 230V; Korea (20V, 22V, 24V); ITE; Level 3; Korea (12V 14V Only); IP40; Korea (14V,14.1V, 15V, 16V, 19V); India BIS; GEMS (12V) pending; CB 62368; Taiwan BSMI (15V only); CU Kazakhstan; RCM; LPS 60950;	
	Model No. GT-81081-6015-1.5-T3	
	Part No./Ordering No. TR9CJ4444CCP-F(R)	Rev E

ELECTRICAL SPECIFICATIONS

A) ELECTRICAL SPECIFICATIONS:

1. Input Voltage: Specified 90-264 Vac, Nameplate rated 100-240 Vac
2. Input Frequency: Specified 47-63 Hz, Nameplate rated 50-60 Hz
3. Output Load Regulation: +/- 5% measured at the output connector
4. Line Voltage Regulation: +/- 1% typical measures at the Output connector
5. Output Ripple (peak to peak): 1% or 50 mV whichever is greater measured at nominal output voltage. measured at 20 MHz bandwidth with 0.1 μ f ceramic capacitor in parallel with 10 μ f electrolytic capacitor connected at the end of output connector
6. Turn-On/Turn-Off Overshoot: 5% maximum, 500 uS recovery time for 25% step load
7. Turn-On Delay: 2 sec max
8. Hold-Up Time: 8 mSec Min at 120Vac, Input and full load
9. Inrush Current: 40A max at cold start at 120vac and 60A at 230Vac
10. Switching Frequency: 100 KHz typical
11. Efficiency: 84% typical at full load

B) PROTECTION

1. Over-Voltage: Protected, unit will autorecover upon removal of fault
2. Short Circuit: Protected, unit will autorecover upon removal of fault
3. Input Protection: Input line fusing

C) SAFETY

1. Dielectric Withstand Voltage: 4242Vdc from primary to secondary
2. Touch Current: <0.25mA @ 240Vac input voltage
3. Earth Leakage Current: <3.5 mA at 240Vac
4. Earth continuity test:<0.1 Ohm or < 0.2 Ohm when with a non-detachable Power Supply cord, Class I Only

D) OTHER:

1. MTBF: 200,000 hours @ 25°C ambient temperature
2. Operating Temperature: 0°C to 40°C ambient temperature
3. Humidity: 5% to 95% relative humidity
4. Storage Temperature: -40°C to 80°C
5. RoHS 2: Complies with EU 2011/65/EU and China SJ/T 11363-2006

E) ENCLOSURE

1. Upper Housing: High impact plastic, 94V0 polycarbonate, non-vented
2. Lower Housing: High impact plastic, 94V0 polycarbonate, non-vented
3. Size: 121.6*56.5*33.2 +/-1.0 mm
4. LED: Green Indicator for output present

PROPRIETARY INFORMATION

PROPRIETARY OF GLOBTEK, INC. ANY REPRODUCTION, DISCLOSURE OR USE OF THIS DRAWING, IN WHOLE OR IN PART, IS HEREBY PROHIBITED EXCEPT AS SPECIFIED IN WRITING BY GLOBTEK, INC. © GlobTek, Inc. 2012 - 2023

<p>GlobTek, Inc. www.globtek.com 186 Veterans Drive, Northvale, NJ 07647 Tel. (201) 784-1000 Fax (201) 784-0111</p>	<p>Drawing Title: GT-81081-6015-1.5-T3, ICT/ITE Power Supply, Efficiency Level: IV @ 115V / III @ 230V, Case Color/Style: GlobTek Black, Desktop/External, Regulated Switchmode AC-DC Power Supply AC Adaptor, Input Rating: 100-240V , 50/60Hz, IEC 60320/C14 , Output Rating: 60W, 13.5V@4.44A, Output Configuration: 1830 mm, 18/1C + Shield Cond, UL 1185, Female Barrel 5.5*2.1*11mm No internal Spring Clip nor Locking Notch or Equal, Ferrite: None, GlobTek Black, GT Cord # C0632, Pin Out: Center Positive (+V), symbol compliant with IEC 60417 symbol no. 5926, Blades/Input Cord: (Order Separately), Approvals: UKCA; Conforms to 62368-1; FCC; China RoHS; CE; CB 60950; VCCI; NrCAN; WEEE; RoHS; EMC; NOM (12V and 15V); Ukraine; CCC; Class I; IRAM; PSE; cULus; Level IV 115V; Level III 230V; Korea (20V, 22V, 24V); ITE; Level 3; Korea (12V 14V Only); IP40; Korea (14V,14.1V, 15V, 16V, 19V); India BIS; GEMS (12V) pending; CB 62368; Taiwan BSMI (15V only); CU Kazakhstan; RCM; LPS 60950;</p>
	<p>Model No. GT-81081-6015-1.5-T3</p>
	<p>Part No./Ordering No. TR9CJ4444CCP-F(R) Rev E</p>

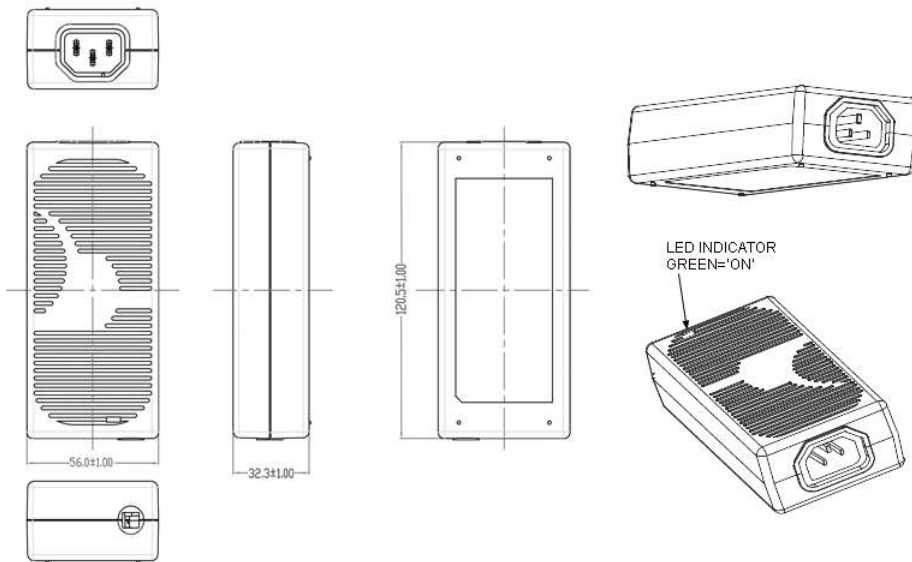
TO ADDRESS SYSTEM-LEVEL EMI CONCERNS, FERRITE CHOKES/BEADS MAY BE ADDED/REVISED UPON REQUEST. A SAMPLE KIT OF GLOBTEK'S STANDARD FERRITES IS AVAILABLE UNDER GLOBTEK P/N: EMI-MITIGATION-KIT1

FOR ADDITIONAL INFORMATION, PLEASE READ OUR WHITE PAPER AT: <https://r.globtek.info/3QeaqtD>

INGRESS PROTECTION: IP40

<p>GlobTek, Inc. www.globtek.com 186 Veterans Drive, Northvale, NJ 07647 Tel. (201) 784-1000 Fax (201) 784-0111</p>	<p>Drawing Title: GT-81081-6015-1.5-T3, ICT/ITE Power Supply, Efficiency Level: IV @ 115V / III @ 230V, Case Color/Style: GlobTek Black, Desktop/External, Regulated Switchmode AC-DC Power Supply AC Adaptor, Input Rating: 100-240V , 50/60Hz, IEC 60320/C14 , Output Rating: 60W, 13.5V@4.44A, Output Configuration: 1830 mm, 18/1C + Shield Cond, UL 1185, Female Barrel 5.5*2.1*11mm No internal Spring Clip nor Locking Notch or Equal, Ferrite: None, GlobTek Black, GT Cord # C0632, Pin Out: Center Positive (+V), symbol compliant with IEC 60417 symbol no. 5926, Blades/Input Cord: (Order Separately), Approvals: UKCA; Conforms to 62368-1; FCC; China RoHS; CE; CB 60950; VCCI; NrCAN; WEEE; RoHS; EMC; NOM (12V and 15V); Ukraine; CCC; Class I; IRAM; PSE; cULus; Level IV 115V; Level III 230V; Korea (20V, 22V, 24V); ITE; Level 3; Korea (12V 14V Only); IP40; Korea (14V,14.1V, 15V, 16V, 19V); India BIS; GEMS (12V) pending; CB 62368; Taiwan BSMI (15V only); CU Kazakhstan; RCM; LPS 60950;</p> <p>Model No. GT-81081-6015-1.5-T3</p>	<p>Part No./Ordering No. TR9CJ4444CCP-F(R)</p> <p>Rev E</p>
--	--	---

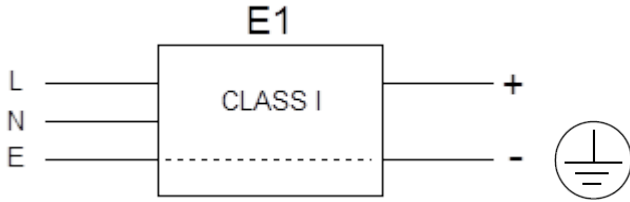
Mechanical drawing



GlobTek, Inc. www.globtek.com 186 Veterans Drive, Northvale, NJ 07647 Tel. (201) 784-1000 Fax (201) 784-0111	Drawing Title: GT-81081-6015-1.5-T3, ICT/ITE Power Supply, Efficiency Level: IV @ 115V / III @ 230V, Case Color/Style: GlobTek Black, Desktop/External, Regulated Switchmode AC-DC Power Supply AC Adaptor, Input Rating: 100-240V , 50/60Hz, IEC 60320/C14 , Output Rating: 60W, 13.5V@4.44A, Output Configuration: 1830 mm, 18/1C + Shield Cond, UL 1185, Female Barrel 5.5*2.1*11mm No internal Spring Clip nor Locking Notch or Equal, Ferrite: None, GlobTek Black, GT Cord # C0632, Pin Out: Center Positive (+V), symbol compliant with IEC 60417 symbol no. 5926, Blades/Input Cord: (Order Separately), Approvals: UKCA; Conforms to 62368-1; FCC; China RoHS; CE; CB 60950; VCCI; NrCAN; WEEE; RoHS; EMC; NOM (12V and 15V); Ukraine; CCC; Class I; IRAM; PSE; cULus; Level IV 115V; Level III 230V; Korea (20V, 22V, 24V); ITE; Level 3; Korea (12V 14V Only); IP40; Korea (14V,14.1V, 15V, 16V, 19V); India BIS; GEMS (12V) pending; CB 62368; Taiwan BSMI (15V only); CU Kazakhstan; RCM; LPS 60950;	
	Model No. GT-81081-6015-1.5-T3	
	Part No./Ordering No. TR9CJ4444CCP-F(R)	Rev E

INPUT CONFIGURATION

(E1) Earthed output

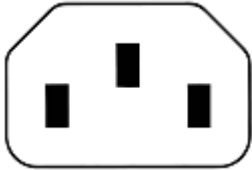


[Alternate grounding configurations](#) available upon request.

Blades/Cord Included:None:(Order Separately)

Blades/Cord Installed:None:(Order Separately)

IEC 60320/C14 AC Inlet Connector, Class I, Earth Ground



Mates with IEC 60320/C13 Plug

Optional Locking IEC60320 Receptacle and cord option available on some models by request.:



[Standard International IEC 320/C13 Cordsets](#)

Below are standard cordsets which are "not included" (unless stated above); these can be purchased separately or packaged with the power supply. Contact your Sales Engineer if the style required is not shown below. Many more available in different lengths, colors or cable material.

GloboTek, Inc. www.globtek.com 186 Veterans Drive, Northvale, NJ 07647 Tel. (201) 784-1000 Fax (201) 784-0111	Drawing Title: GT-81081-6015-1.5-T3, ICT/ITE Power Supply, Efficiency Level: IV @ 115V / III @ 230V, Case Color/Style: GlobTek Black, Desktop/External, Regulated Switchmode AC-DC Power Supply AC Adaptor, Input Rating: 100-240V , 50/60Hz, IEC 60320/C14 , Output Rating: 60W, 13.5V@4.44A, Output Configuration: 1830 mm, 18/1C + Shield Cond, UL 1185, Female Barrel 5.5*2.1*11mm No internal Spring Clip nor Locking Notch or Equal, Ferrite: None, GlobTek Black, GT Cord # C0632, Pin Out: Center Positive (+V), symbol compliant with IEC 60417 symbol no. 5926, Blades/Input Cord: (Order Separately), Approvals: UKCA; Conforms to 62368-1; FCC; China RoHS; CE; CB 60950; VCCI; NrCAN; WEEE; RoHS; EMC; NOM (12V and 15V); Ukraine; CCC; Class I; IRAM; PSE; cULus; Level IV 115V; Level III 230V; Korea (20V, 22V, 24V); ITE; Level 3; Korea (12V 14V Only); IP40; Korea (14V,14.1V, 15V, 16V, 19V); India BIS; GEMS (12V) pending; CB 62368; Taiwan BSMI (15V only); CU Kazakhstan; RCM; LPS 60950;	
	Model No. GT-81081-6015-1.5-T3	
	Part No./Ordering No. TR9CJ4444CCP-F(R)	Rev E

Stock Power Supply Cords

Part Number/ Link	Country	Plug	Termination	Length (mm)	(Ft)
3021457F701(R)	N. American (Type B)	NEMA 5-15P	IEC 320/C13	2150	7
1191068F0701(R)	N. American (Type B)	NEMA 5-15P Hospital	IEC 320/C13	2459	8
2194272M5701-T(R)	Argentina (Type I)	IRAM 2073	IEC 320/C13	2500	8
5502022M5701A(R)	Australian (Type I)	AS3112 / 3 PRONG	IEC 320/C13	2500	8
204B4272M5701(R)	Brazil (Type N)	BRAZIL	IEC 320/C13	2500	8
6023602M5701(R)	China (Type I)	CCC GR2099	IEC 320/C13	2500	8
G8014272M5701(R)	Danish (Type K)	AFSNIT SECTION 107-2-D1	IEC 320/C13	2500	8
23144272M5701-T(R)	Europe (Type E)	CEE 7/7	IEC 320/C13	2500	8
23134272M5701EUKR(R)	Europe/Korea Combo (Type E)	CEE 7/7 / KSC8305	IEC 320/C13	2500	8
205IN4272M5701(R)	India (Type D)	India IS 1293 (also known as IA16A3 or BS546)	IEC 320/C13	2500	8
208IN4272M5701(R)	India (Type M)	India IS 1293 (also known as IA16A3 or BS546)	IEC320/C13	2500	8
377C4272M5701(R)	Israel (Type H)	ISL 377C	IEC 320/C13	2500	8
23024272M5701(R)	Italy (Type L)	CEI 23-16/VII	IEC 320/C13	2500	8
3003339F701(R) [3x1.25mm2]	Japan (Type B)	JIS 8303 / 3 PINS	IEC 320/C13	2500	8
3003068F2701-HK(R) [3 x 2.0mm2]					
302J115J6F0701J(R)	North America / Japan (Type B – 12A)	NEMA 5-15P (cULus approved), Japan JIS C 8303 (PSE Approved)	IEC 320/C13	1830	6
302J104J6F0701J(R)	North America / Japan (Type B – 15A)	NEMA 5-15P (cULus approved), Japan JIS C 8303 (PSE Approved)	IEC 320/C13	1830	6
302JT104J9F0701JT(R)	North America / Japan / Taiwan (Type B – 15A)	NEMA 5-15P (cULus approved), Japan JIS C 8303 (PSE Approved), Taiwan CNS 6797 (BSMI Approved)	IEC 320/C13	2800	9
2313K3432M5701(R)	Korea (Type F)	KS C 8305	IEC 320/C13	2500	8
5804272M5701(R)	Russia (Type F)	GOST 7396	IEC 320/C13	2500	8
2084272M5701(R)	South Africa (Type M)	South Africa SABS164-1 (16A type)	IEC 320/C13	2500	8

PROPRIETARY INFORMATION

PROPRIETARY OF GLOBTEK, INC. ANY REPRODUCTION, DISCLOSURE OR USE OF THIS DRAWING, IN WHOLE OR IN PART, IS HEREBY PROHIBITED EXCEPT AS SPECIFIED IN WRITING BY GLOBTEK, INC. © GlobTek, Inc. 2012 - 2023

GloTek, Inc. www.globtek.com 186 Veterans Drive, Northvale, NJ 07647 Tel. (201) 784-1000 Fax (201) 784-0111	Drawing Title: GT-81081-6015-1.5-T3, ICT/ITE Power Supply, Efficiency Level: IV @ 115V / III @ 230V, Case Color/Style: GlobTek Black, Desktop/External, Regulated Switchmode AC-DC Power Supply AC Adaptor, Input Rating: 100-240V , 50/60Hz, IEC 60320/C14 , Output Rating: 60W, 13.5V@4.44A, Output Configuration: 1830 mm, 18/1C + Shield Cond, UL 1185, Female Barrel 5.5*2.1*11mm No internal Spring Clip nor Locking Notch or Equal, Ferrite: None, GlobTek Black, GT Cord # C0632, Pin Out: Center Positive (+V), symbol compliant with IEC 60417 symbol no. 5926, Blades/Input Cord: (Order Separately), Approvals: UKCA; Conforms to 62368-1; FCC; China RoHS; CE; CB 60950; VCCI; NrCAN; WEEE; RoHS; EMC; NOM (12V and 15V); Ukraine; CCC; Class I; IRAM; PSE; cULus; Level IV 115V; Level III 230V; Korea (20V, 22V, 24V); ITE; Level 3; Korea (12V 14V Only); IP40; Korea (14V,14.1V, 15V, 16V, 19V); India BIS; GEMS (12V) pending; CB 62368; Taiwan BSMI (15V only); CU Kazakhstan; RCM; LPS 60950;	
	Model No. GT-81081-6015-1.5-T3	
	Part No./Ordering No. TR9CJ4444CCP-F(R)	Rev E

23214272M5701(R)	Switzerland (Type J)	SEV 1011	IEC 320/C13	2500	8
3003322M5701(R)	Taiwan (Type B)	BSMI	IEC 320/C13	2500	8
6363762M5701(R)	Thailand (Type O)	TIS 166-2549	IEC 320/C13	2500	8
PZ0800100-2M5BK13H(R)	UK, Hong Kong, Singapore, Gulf States (Type G)	BS 1363A	IEC 320/C13	2500	8
7055002M5701A(R)	International	IEC 320 C14-C13	IEC 320/C13	2500	8

<p>GlobTek, Inc. www.globtek.com 186 Veterans Drive, Northvale, NJ 07647 Tel. (201) 784-1000 Fax (201) 784-0111</p>	<p>Drawing Title: GT-81081-6015-1.5-T3, ICT/ITE Power Supply, Efficiency Level: IV @ 115V / III @ 230V, Case Color/Style: GlobTek Black, Desktop/External, Regulated Switchmode AC-DC Power Supply AC Adaptor, Input Rating: 100-240V , 50/60Hz, IEC 60320/C14 , Output Rating: 60W, 13.5V@4.44A, Output Configuration: 1830 mm, 18/1C + Shield Cond, UL 1185, Female Barrel 5.5*2.1*11mm No internal Spring Clip nor Locking Notch or Equal, Ferrite: None, GlobTek Black, GT Cord # C0632, Pin Out: Center Positive (+V), symbol compliant with IEC 60417 symbol no. 5926, Blades/Input Cord: (Order Separately), Approvals: UKCA; Conforms to 62368-1; FCC; China RoHS; CE; CB 60950; VCCI; NrCAN; WEEE; RoHS; EMC; NOM (12V and 15V); Ukraine; CCC; Class I; IRAM; PSE; cULus; Level IV 115V; Level III 230V; Korea (20V, 22V, 24V); ITE; Level 3; Korea (12V 14V Only); IP40; Korea (14V,14.1V, 15V, 16V, 19V); India BIS; GEMS (12V) pending; CB 62368; Taiwan BSMI (15V only); CU Kazakhstan; RCM; LPS 60950;</p>
	<p>Model No. GT-81081-6015-1.5-T3</p>
	<p>Part No./Ordering No. TR9CJ4444CCP-F(R) Rev E</p>

OUTPUT CONNECTOR HOOK UP

TO ADDRESS SYSTEM-LEVEL EMI CONCERNS, FERRITE CHOKES/BEADS MAY BE ADDED/REVISED UPON REQUEST. A SAMPLE KIT OF GLOBTEK'S STANDARD FERRITES IS AVAILABLE UNDER GLOBTEK P/N: EMI-MITIGATION-KIT1

FOR ADDITIONAL INFORMATION, PLEASE READ OUR WHITE PAPER AT:

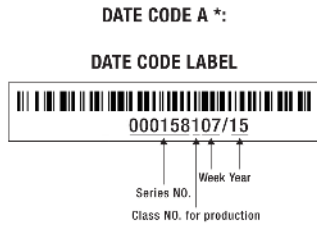
<https://en.globtek.com/technical-articles/ferrite-kit-radiated-emi-suppression-kit-for-globtek-power-supplies-cable-assemblies>

GloTek, Inc. www.globtek.com 186 Veterans Drive, Northvale, NJ 07647 Tel. (201) 784-1000 Fax (201) 784-0111	Drawing Title: GT-81081-6015-1.5-T3, ICT/ITE Power Supply, Efficiency Level: IV @ 115V / III @ 230V, Case Color/Style: GlobTek Black, Desktop/External, Regulated Switchmode AC-DC Power Supply AC Adaptor, Input Rating: 100-240V- , 50/60Hz, IEC 60320/C14 , Output Rating: 60W, 13.5V@4.44A, Output Configuration: 1830 mm, 18/1C + Shield Cond, UL 1185, Female Barrel 5.5*2.1*11mm No internal Spring Clip nor Locking Notch or Equal, Ferrite: None, GlobTek Black, GT Cord # C0632, Pin Out: Center Positive (+V), symbol compliant with IEC 60417 symbol no. 5926, Blades/Input Cord: (Order Separately), Approvals: UKCA; Conforms to 62368-1; FCC; China RoHS; CE; CB 60950; VCCI; NrCAN; WEEE; RoHS; EMC; NOM (12V and 15V); Ukraine; CCC; Class I; IRAM; PSE; cULus; Level IV 115V; Level III 230V; Korea (20V, 22V, 24V); ITE; Level 3; Korea (12V 14V Only); IP40; Korea (14V,14.1V, 15V, 16V, 19V); India BIS; GEMS (12V) pending; CB 62368; Taiwan BSMI (15V only); CU Kazakhstan; RCM; LPS 60950;
	Model No. GT-81081-6015-1.5-T3
	Part No./Ordering No. TR9CJ4444CCP-F(R) Rev E

LABEL:L-1186

LABEL P/N	Standard GT
MATERIAL	Flat Thermal Transfer, Imprintable, Polyester Label and/or Pad Printed and/or Molded, and/or Laser Engraved in the case
BACKGROUND COLOR	Black if housing is Black, White or Silver if housing is White or Gray.
TEXT COLOR	White or Silver if label is Black Background for Black housing. Black if label is White or Silver background and Housing is White or Gray.
LABEL WIDTH (mm)	40.4
LABEL HEIGHT (mm)	90.7
SPECIAL BARCODE LABEL MATERIAL	No

Below is the minimum information which will appear on the label. NOTE: in the logo area additional/actual positioning of symbols and text is subjected to change as per agency updates/requirements or additional model approvals become available. Regulatory certifications/label markings may be in logo area on the label or molded into the case housing outside the label area. Information will be shown via label and/or pad printed and/or molded and/or laser engraved in the case. * Date code markings at GlobTek option



or
DATE CODE B *:
WWYY
WW = WEEK
YY = YEAR

A=ICT/ITE Power Supply
B=P/N: (料号) TR9CJ4444CCP-F(R)
C=Model (型号) GT-81081-6015-1.5-T3
D=Input (输入)100-240V- , 50/60Hz, 1.5A
E=Output (输出)13.5 V 4.44 A, 60.00W

GlobTek, Inc. www.globtek.com 186 Veterans Drive, Northvale, NJ 07647 Tel. (201) 784-1000 Fax (201) 784-0111	Drawing Title: GT-81081-6015-1.5-T3, ICT/ITE Power Supply, Efficiency Level: IV @ 115V / III @ 230V, Case Color/Style: GlobTek Black, Desktop/External, Regulated Switchmode AC-DC Power Supply AC Adaptor, Input Rating: 100-240V , 50/60Hz, IEC 60320/C14 , Output Rating: 60W, 13.5V@4.44A, Output Configuration: 1830 mm, 18/1C + Shield Cond, UL 1185, Female Barrel 5.5*2.1*11mm No internal Spring Clip nor Locking Notch or Equal, Ferrite: None, GlobTek Black, GT Cord # C0632, Pin Out: Center Positive (+V), symbol compliant with IEC 60417 symbol no. 5926, Blades/Input Cord: (Order Separately), Approvals: UKCA; Conforms to 62368-1; FCC; China RoHS; CE; CB 60950; VCCI; NrCAN; WEEE; RoHS; EMC; NOM (12V and 15V); Ukraine; CCC; Class I; IRAM; PSE; cULus; Level IV 115V; Level III 230V; Korea (20V, 22V, 24V); ITE; Level 3; Korea (12V 14V Only); IP40; Korea (14V,14.1V, 15V, 16V, 19V); India BIS; GEMS (12V) pending; CB 62368; Taiwan BSMI (15V only); CU Kazakhstan; RCM; LPS 60950;	
	Model No. GT-81081-6015-1.5-T3	
	Part No./Ordering No. TR9CJ4444CCP-F(R)	Rev E

AGENCY ONLINE DOCUMENTS	http://www.globtek.info/certs/GT-81081/
CE EC-Declaration for Medical	Contact GlobTek for more information
CE EC-Declaration for Industrial/Commercial/ITE	http://globtek.force.com/models/ec_declaration_product?id=01t30000002p9Mf&i=3
CE EC-Declaration for Household	Contact GlobTek for more information
UKCA-Declaration for Medical	Contact GlobTek for more information
UKCA-Declaration for Industrial/Commercial/ITE	http://globtek.force.com/models/ukca_declaration_product?id=01t30000002p9Mf&i=3
UKCA-Declaration for Household	Contact GlobTek for more information
Morocco SDoC Declaration	https://globtek.secure.force.com/models/Morocco_SDoC_Declaration?id=a0O30000007P7ZgEAK
RoHS/RoHS3 Declaration	https://www.globtek.com/pdf/rohs_cert/01t30000002p9MfAAI
REACH Declaration	https://www.globtek.com/pdf/iso_certificates/REACH.pdf
Conflict Minerals Declaration	https://www.globtek.com/pdf/conflict-minerals.pdf
Prop 65 Statement	https://en.globtek.com/prop-65-statement.pdf
IPXY rating is based on 3rd party testing and customers should check suitability and test system level IPXY rating before ordering.	

Regulatory Certifications/Label Markings

Below follows a link to the latest regulatory certifications and marks for this specific product. National standards as well as certification schemes are constantly changing and so is the set of certification marks and symbols applicable to this product. Various standards, marks and symbols, and certificates are subject to change at any time without notice.

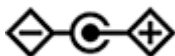
Additional standards or unique country certifications are available upon request. Please contact Globtek to request a quotation.

LATEST PRODUCT/MODEL CERTIFICATIONS: <https://www.globtek.com/datasheet/w70502>

AGENCY ONLINE DOCUMENTS <http://www.globtek.info/certs/GT-81081/>



(E1) Earthed output



Center Positive (+V), symbol compliant with IEC 60417 symbol no. 5926

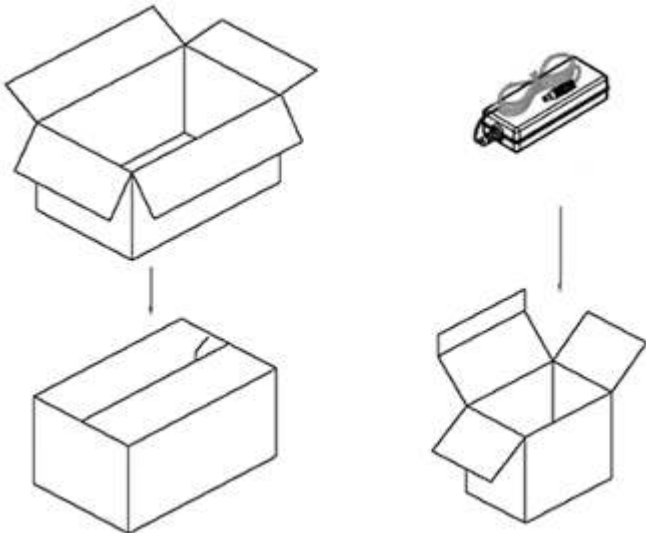
GlobTek, Inc. www.globtek.com 186 Veterans Drive, Northvale, NJ 07647 Tel. (201) 784-1000 Fax (201) 784-0111	Drawing Title: GT-81081-6015-1.5-T3, ICT/ITE Power Supply, Efficiency Level: IV @ 115V / III @ 230V, Case Color/Style: GlobTek Black, Desktop/External, Regulated Switchmode AC-DC Power Supply AC Adaptor, Input Rating: 100-240V , 50/60Hz, IEC 60320/C14 , Output Rating: 60W, 13.5V@4.44A, Output Configuration: 1830 mm, 18/1C + Shield Cond, UL 1185, Female Barrel 5.5*2.1*11mm No internal Spring Clip nor Locking Notch or Equal, Ferrite: None, GlobTek Black, GT Cord # C0632, Pin Out: Center Positive (+V), symbol compliant with IEC 60417 symbol no. 5926, Blades/Input Cord: (Order Separately), Approvals: UKCA; Conforms to 62368-1; FCC; China RoHS; CE; CB 60950; VCCI; NrCAN; WEEE; RoHS; EMC; NOM (12V and 15V); Ukraine; CCC; Class I; IRAM; PSE; cULus; Level IV 115V; Level III 230V; Korea (20V, 22V, 24V); ITE; Level 3; Korea (12V 14V Only); IP40; Korea (14V,14.1V, 15V, 16V, 19V); India BIS; GEMS (12V pending; CB 62368; Taiwan BSMI (15V only); CU Kazakhstan; RCM; LPS 60950;	
	Model No. GT-81081-6015-1.5-T3	
	Part No./Ordering No. TR9CJ4444CCP-F(R)	Rev E

PACKAGING

Packing Spec P/N	Standard DT, Individually Box
Box Qty	60
Gift Box Size (mm)	142*62*60
Gift Box Color	White
Master Carton Size (mm)	442 x 330 x 275
Master Carton Cubic Volume (m³)	0.04
Master GW (Kg)	15.6 kg
BLADES INCLUDED	None: (Order Separately)
BLADE/CORD INSTALLED	None: (Order Separately)
USER MANUAL*	
USER MANUAL WEB LINK	

* This specification sheet is considered the user manual for all applications. It is expected that the buyer of this product will use it to formulate their own user manual for their end product and a user manual specifically for the power adapter is not usually required. If a user manual is not specifically listed above then none will be provided with this unit.

If specific packaging is required, this section must specify all requirements and note "no exceptions". If this section does not specify packaging, it is subject to change without notice at GlobTek's discretion



PROPRIETARY INFORMATION

<p>GlobTek, Inc. www.globtek.com 186 Veterans Drive, Northvale, NJ 07647 Tel. (201) 784-1000 Fax (201) 784-0111</p>	<p>Drawing Title: GT-81081-6015-1.5-T3, ICT/ITE Power Supply, Efficiency Level: IV @ 115V / III @ 230V, Case Color/Style: GlobTek Black, Desktop/External, Regulated Switchmode AC-DC Power Supply AC Adaptor, Input Rating: 100-240V , 50/60Hz, IEC 60320/C14 , Output Rating: 60W, 13.5V@4.44A, Output Configuration: 1830 mm, 18/1C + Shield Cond, UL 1185, Female Barrel 5.5*2.1*11mm No internal Spring Clip nor Locking Notch or Equal, Ferrite: None, GlobTek Black, GT Cord # C0632, Pin Out: Center Positive (+V), symbol compliant with IEC 60417 symbol no. 5926, Blades/Input Cord: (Order Separately), Approvals: UKCA; Conforms to 62368-1; FCC; China RoHS; CE; CB 60950; VCCI; NrCAN; WEEE; RoHS; EMC; NOM (12V and 15V); Ukraine; CCC; Class I; IRAM; PSE; cULus; Level IV 115V; Level III 230V; Korea (20V, 22V, 24V); ITE; Level 3; Korea (12V 14V Only); IP40; Korea (14V,14.1V, 15V, 16V, 19V); India BIS; GEMS (12V) pending; CB 62368; Taiwan BSMI (15V only); CU Kazakhstan; RCM; LPS 60950;</p>
	<p>Model No. GT-81081-6015-1.5-T3</p>
	<p>Part No./Ordering No. TR9CJ4444CCP-F(R) Rev E</p>

INSTRUCTIONS TO THE OEM SYSTEMS ENGINEER

It is the responsibility of the OEM systems engineer to provide the end system user instructions and warnings for the use of this product in the end system.

If an input cord is required for this product, AC Mains voltage should be provided to the power supply by a power supply cord approved to the national standards of the country in which it will be used.

This product is not designed to be repaired. No serviceable parts inside. A blown internal fuse is an indication of catastrophic failure of circuit component(s). If a Failure Analysis is required for a failed power supply/battery charger, please return the damaged unit to GlobTek for an accurate determination of the root cause of the failure.

EMC Compliance of the complete OEM product, including the GlobTek power supply/battery charger needs to be verified by the OEM systems engineer.

INSTRUCTION SHEET

N/A

<p>GlobTek, Inc. www.globtek.com 186 Veterans Drive, Northvale, NJ 07647 Tel. (201) 784-1000 Fax (201) 784-0111</p>	<p>Drawing Title: GT-81081-6015-1.5-T3, ICT/ITE Power Supply, Efficiency Level: IV @ 115V / III @ 230V, Case Color/Style: GlobTek Black, Desktop/External, Regulated Switchmode AC-DC Power Supply AC Adaptor, Input Rating: 100-240V , 50/60Hz, IEC 60320/C14 , Output Rating: 60W, 13.5V@4.44A, Output Configuration: 1830 mm, 18/1C + Shield Cond, UL 1185, Female Barrel 5.5*2.1*11mm No internal Spring Clip nor Locking Notch or Equal, Ferrite: None, GlobTek Black, GT Cord # C0632, Pin Out: Center Positive (+V), symbol compliant with IEC 60417 symbol no. 5926, Blades/Input Cord: (Order Separately), Approvals: UKCA; Conforms to 62368-1; FCC; China RoHS; CE; CB 60950; VCCI; NrCAN; WEEE; RoHS; EMC; NOM (12V and 15V); Ukraine; CCC; Class I; IRAM; PSE; cULus; Level IV 115V; Level III 230V; Korea (20V, 22V, 24V); ITE; Level 3; Korea (12V 14V Only); IP40; Korea (14V,14.1V, 15V, 16V, 19V); India BIS; GEMS (12V) pending; CB 62368; Taiwan BSMI (15V only); CU Kazakhstan; RCM; LPS 60950;</p>
	<p>Model No. GT-81081-6015-1.5-T3</p>
	<p>Part No./Ordering No. TR9CJ4444CCP-F(R) Rev E</p>

