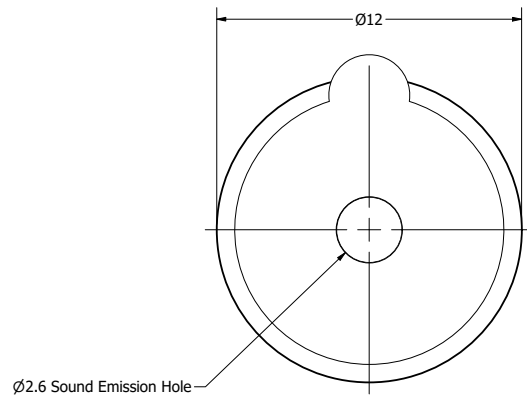
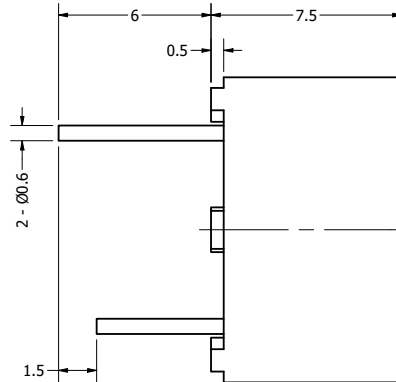


Part Number:	IE122305-2	
DRAWN	CJ	8/13/2021
CHECKED	P.D.	8/13/2021
Description:	Electro-Mechanical Indicator	
APPROVED	J.S.	8/13/2021
This document contains data proprietary to DB Unlimited. Any use or reproduction, in any form, without prior written permission of DB Unlimited is prohibited. All terms and conditions can be found at www.dbunlimitedco.com		

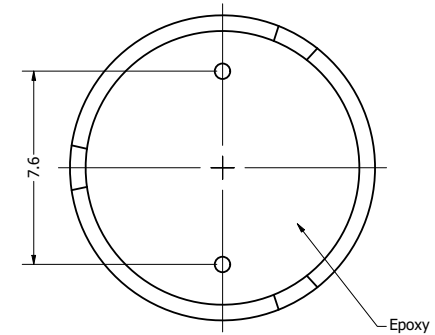
Top View



Side View



Bottom View



Items	Specifications	Conditions
Min. Sound Pressure Level	83	dB (@ 10cm)
Tone	Single	
Resonant Frequency	2,300	Hz
Rated Voltage	5	V
Voltage Range	3 ~ 6.5	V
Max. Rated Current	30	mA
Storage Temperature	-20 ~ +70	°C
Operating Temperature	-20 ~ +70	°C
Connection Method	PC Pins	
Mount Type	Thru Hole	
Housing Material	PBT	
Weight	2	g

REVISION HISTORY

REV	DESCRIPTION	DATE	APPROVED
	Released from Engineering	10/21/2013	J.S.
1	Updated drawing template, housing material, voltage range	8/13/2021	P.D.

NOTES

- 1) All dimensions are in mm unless otherwise noted
- 2) All tolerances are ± 0.5 mm unless otherwise noted
- 3) All parts meet RoHS
- 4) Subject to change or redrawn without notice