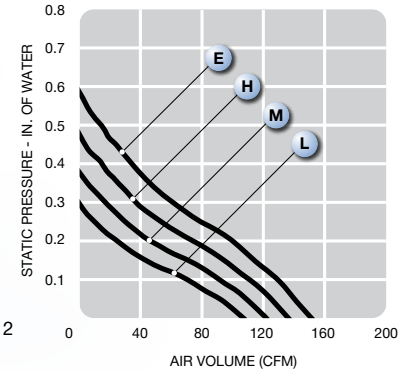
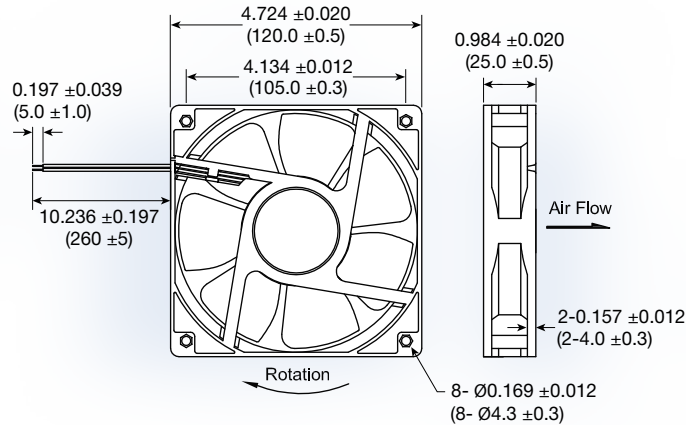


## MR1225 series



(120 x 120 x 25 mm)

4.72 x 4.72 x .98 inches

Features: soft start, polarity protection, auto-restart

Operating Voltage: 12 or 24 VDC

Construction: UL94V-0 plastic impeller and frame

Bearing option: ball bearing or sleeve

Air Flow: air exhaust over struts

Options: tachometer output or locked rotor alarm signal; PWM speed control

Model No.	Rated Voltage VDC	Current A		Speed RPM	Air Volume		Max. Static Pressure (H <sub>2</sub> O)		Sound Noise dbA	Weight g
		12	24		M <sup>3</sup> /Min.	CFM	MM	INCH		
MR1225L	12/24	0.60	0.30	3,500	3.01	107	7.45	0.29	47.2	125
MR1225M	12/24	0.76	0.38	4,000	3.43	122	9.68	0.38	50.5	125
MR1225H	12/24	0.82	0.41	4,500	3.85	136	12.19	0.48	53.8	125
MR1225E	12/24	1.20	0.60	5,000	4.26	151	14.99	0.59	56.6	125