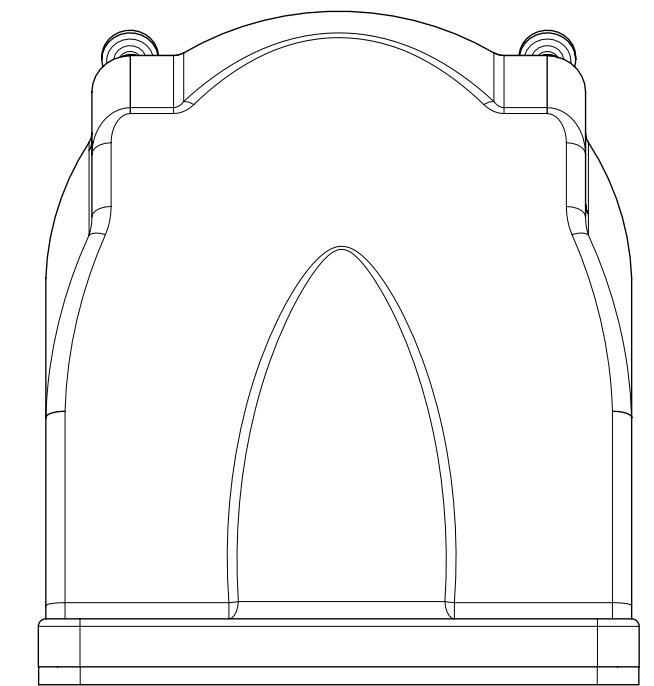
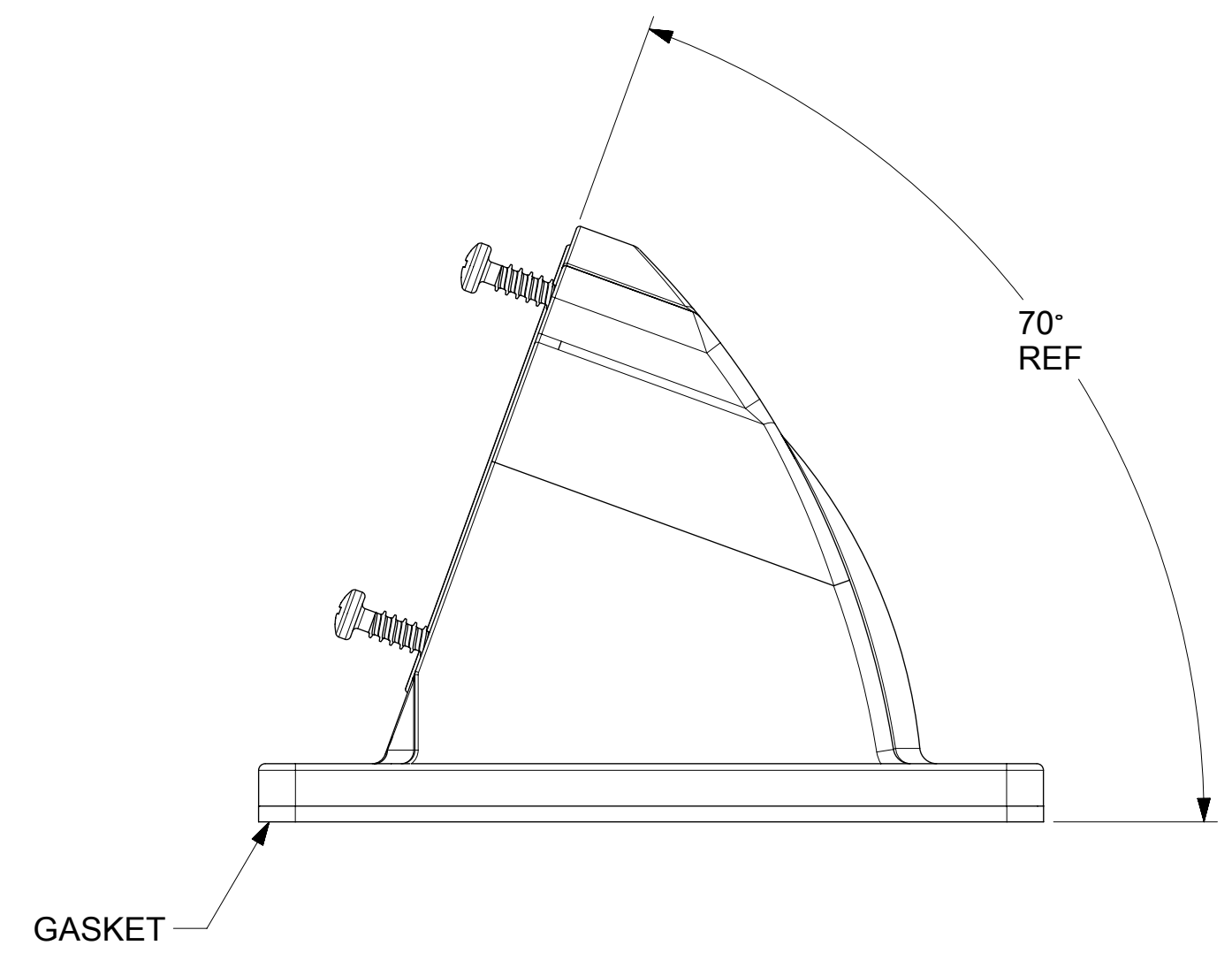
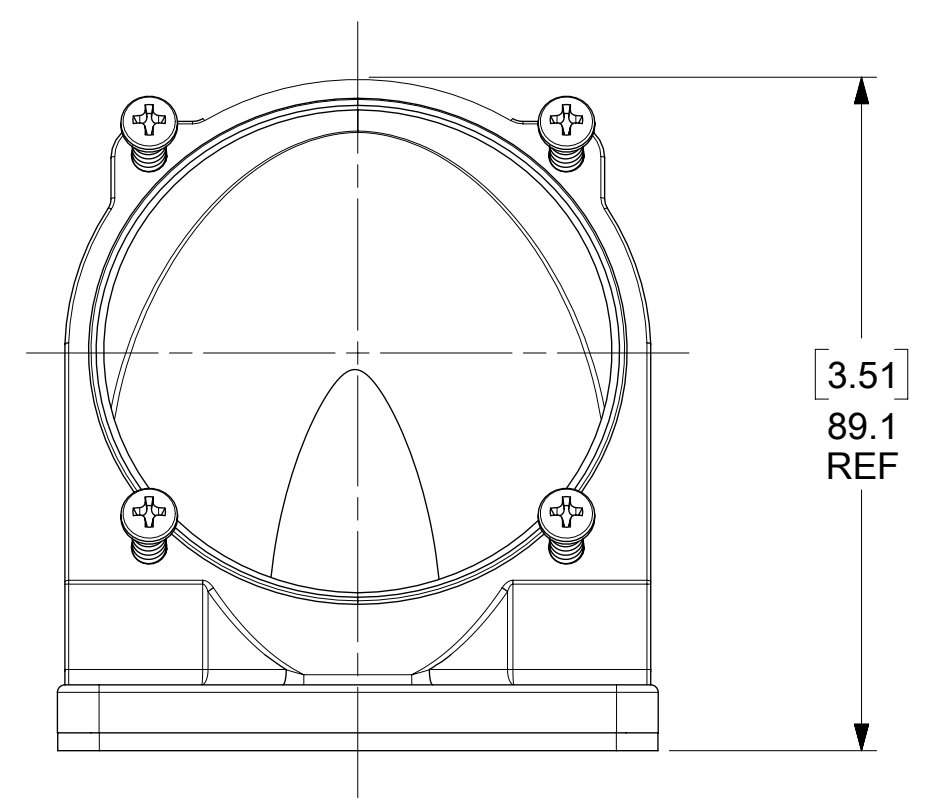


SELF TAPPING SCREWS  
(SHOWN FOR REF. ONLY)



NOTES:

- MATERIAL:  
 MOUNTING ANGLE - GREY PBT  
 GASKET - BLACK EPDM  
 SELF TAPPING SCREWS (TO ASSEMBLE TO DEVICE) - STAINLESS STEEL  
 FS/FD BOX MOUNTING SCREWS - STAINLESS STEEL WITH EPDM O-RING (NOT SHOWN)
- AMBIENT OPERATING TEMPERATURE: -25°C (-13°F) TO 60°C (140°F)  
 (WITH MAX. 30°C RISE ABOVE AMBIENT)

THIS DRAWING CONTAINS INFORMATION THAT IS PROPRIETARY TO MOLEX ELECTRONIC TECHNOLOGIES, LLC AND SHOULD NOT BE USED WITHOUT WRITTEN PERMISSION									
DIMENSION UNITS <b>MM/INCH</b>		SCALE <b>1:1</b>		CURRENT REV DESC: GENERAL MARKET RELEASE					
GENERAL TOLERANCES (UNLESS SPECIFIED)				<b>molex</b>  BOX MOUNTING ANGLE ASSEMBLY  PRODUCT CUSTOMER DRAWING  EC NO: 674097 DRWN: MJANTELEZIO 2021/08/17 CHK'D: WLEUNG 2021/08/17 APPR: WLEUNG 2021/08/17  INITIAL REVISION: DRWN: VHANDI 2017/08/29 APPR: JFMURPHY 2020/11/17					
		MM	INCH						
4 PLACES	±	±							
3 PLACES	±	±							
2 PLACES	±	±							
1 PLACE	±	±							
0 PLACES	±	±							
ANGULAR TOL		±	°	DOCUMENT NUMBER <b>1122176002</b>		DOC TYPE <b>PSD</b>		DOC PART <b>000</b>	
DRAFT WHERE APPLICABLE MUST REMAIN WITHIN DIMENSIONS		THIRD ANGLE PROJECTION		DRAWING <b>C-SIZE</b>		SERIES <b>112217</b>		MATERIAL NUMBER CUSTOMER <b>GENERAL MARKET</b>	
DOCUMENT STATUS <b>P1</b>		RELEASE DATE <b>2021/08/17 21:15:15</b>		SHEET NUMBER <b>1 OF 1</b>		REVISION <b>A2</b>			