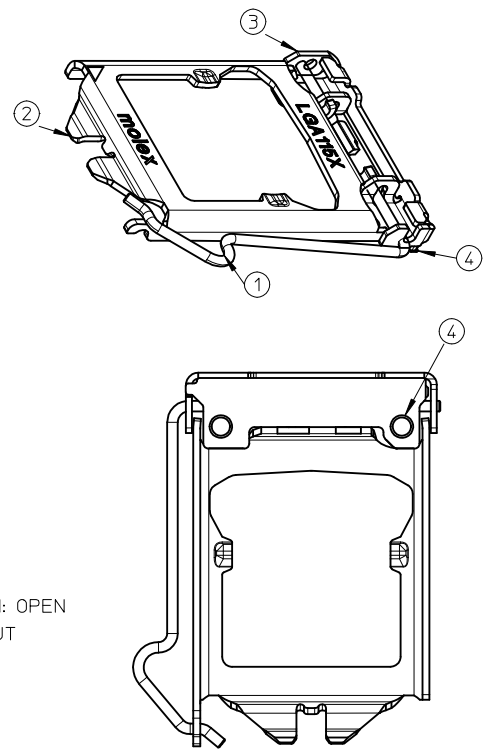
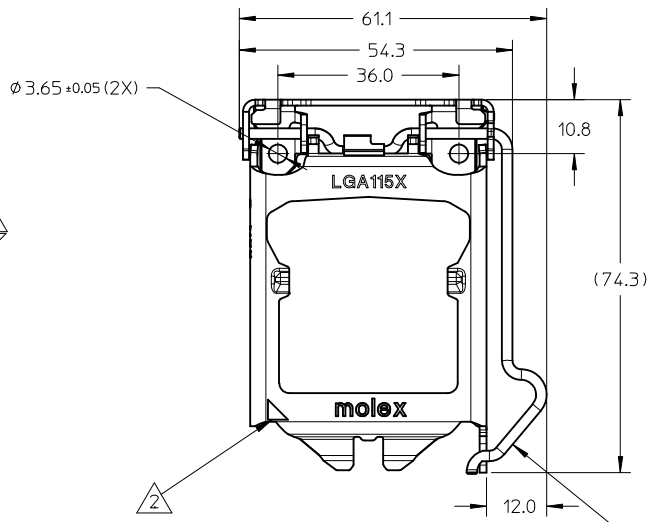
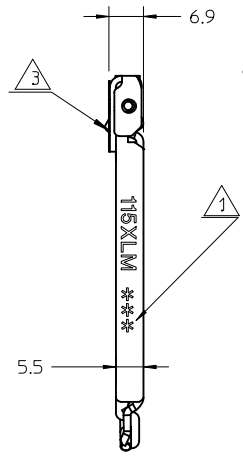
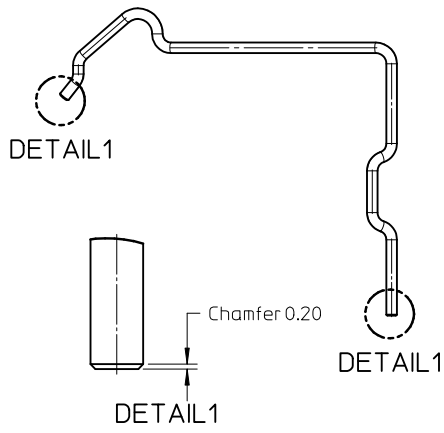


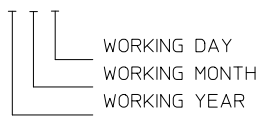
10 9 8 7 6 5 4 3 2 1



LEVER POSITION: OPEN
PUSH LEVER OUT
TO UNLOCK

NOTES:

- 1. INK PRINTED DATE CODE: * * *
- 2. AREA FILLED WITH BLACK INK.
- 3. INSULATOR OVERHANG ILM FRAME.
- 4. PARTS ARE COMPLIANT TO RoHS DIRECTIVE 2002/95/EC AND ELV 2000/53/EC.
- 5. PARTS ARE HALOGEN FREE.

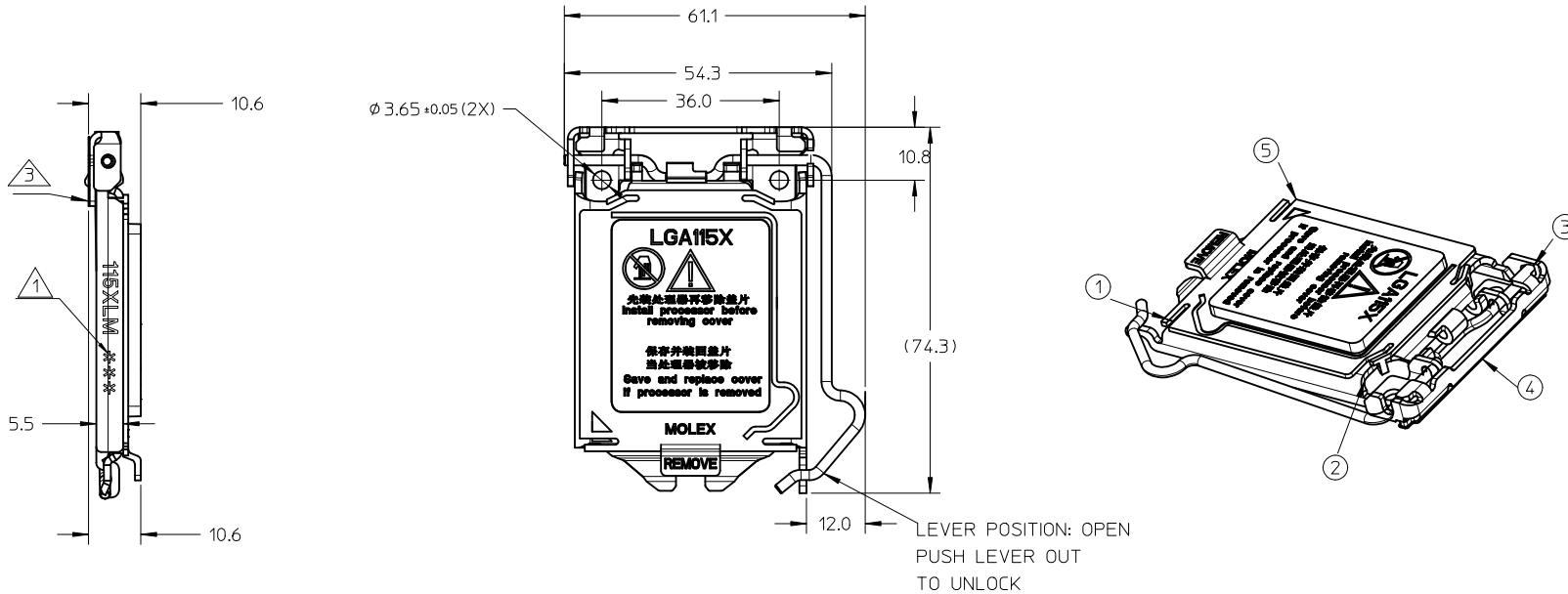


BILL OF MATERIAL (47596-8811)			
ITEM NO	Q'TY	DESCRIPTION	MATERIAL
	1	ILM TOP ASSY WITHOUT SCREW	
①	1	ILM LEVER	STAINLESS STEEL
②	1	ILM LOAD PLATE	STAINLESS STEEL
③	1	ILM FRAME	STEEL WITH NICKEL PLATING
④	1	ILM FRAME INSULATOR	POLYCARBONATE FILM

ENTER DESCRIPTION EC NO: SH2012-0210 DRWN: ZHANG11 2012/01/05 CHKD: APPR: AYIN 2012/02/02	QUALITY SYMBOLS	GENERAL TOLERANCES (UNLESS SPECIFIED)	DIMENSION STYLE	SCALE	DESIGN UNITS	THIRD ANGLE PROJECTION
	$F_A=0$	4 PLACES \pm --- \pm ---	MM ONLY	1:1	METRIC	115X ILM TOP ASSY MOLEX INCORPORATED SD-47596-002 1 OF 2
	$F_C=0$	3 PLACES \pm --- \pm ---	mm INCH			
	$F_D=0$	2 PLACES ± 0.10 \pm ---				
$F_E=0$	1 PLACE ± 0.25 \pm ---					
		ANGULAR \pm --- °				
		DRAFT WHERE APPLICABLE MUST REMAIN WITHIN DIMENSIONS				
			SIZE A3			

47596-8811	WITHOUT ILM PNP COVER*
PART NO.	DESCRIPTION

9 8 7 6 5 4 3 2 1

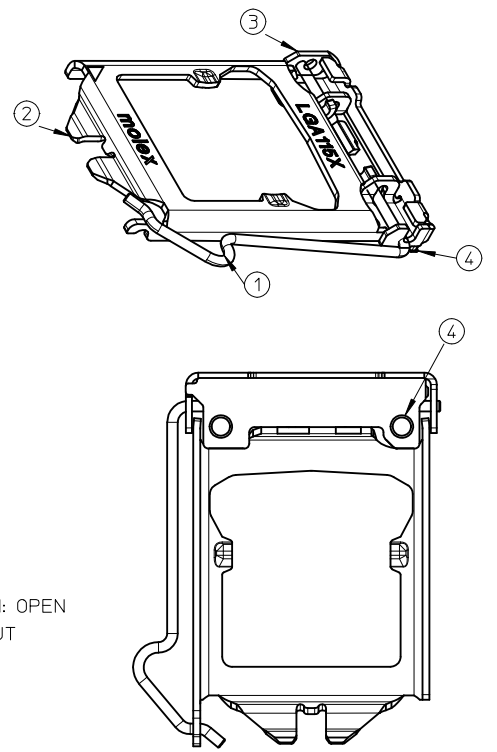
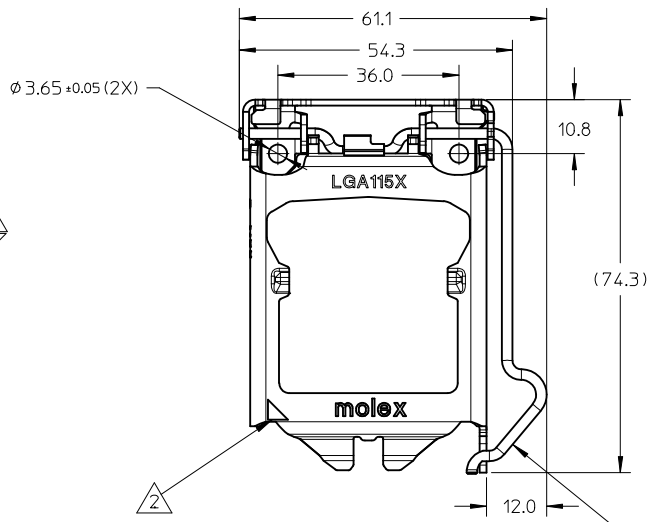
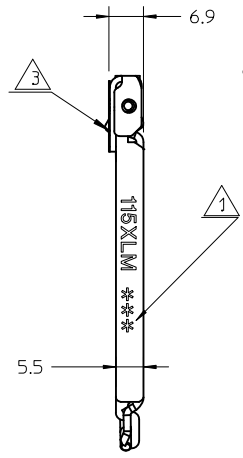
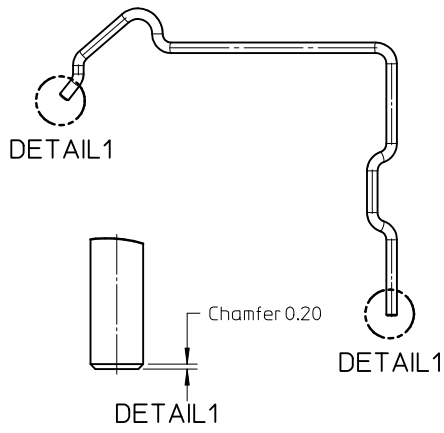


BILL OF MATERIAL (47596-8711)			
ITEM NO	Q'TY	DESCRIPTION	MATERIAL
	1	ILM TOP ASSY WITHOUT SCREW	
①	1	ILM LEVER	STAINLESS STEEL
②	1	ILM LOAD PLATE	STAINLESS STEEL
③	1	ILM FRAME	STEEL WITH NICKEL PLATING
④	1	ILM FRAME INSULATOR	POLYCARBONATE FILM
⑤	1	ILM PNP COVER	PC/ABS

47596-8711	WITH ILM PNP COVER
PART NO.	DESCRIPTION

ENTER DESCRIPTION EC NO: SHZ012-0210 DRWN: ZHANG11 CHKD: APPR: AYIN 2012/01/05 2012/02/02	QUALITY SYMBOLS $F_A=0$ $F_C=0$ $F_P=0$	GENERAL TOLERANCES (UNLESS SPECIFIED)		DIMENSION STYLE MM ONLY		SCALE 1:1	DESIGN UNITS METRIC	THIRD ANGLE PROJECTION		
		4 PLACES	± ---	± ---	DRAWN BY	DATE	TITLE			
		3 PLACES	± ---	± ---	JGU007	2008/01/10	115X ILM TOP ASSY			
2 PLACES	± 0.10	± ---	CHECKED BY	DATE	MATERIAL NO.					
1 PLACE	± 0.25	± ---	JKACHLIC	2008/01/10	SEE TABLE					
ANGULAR ± ---°		APPROVED BY		DATE	DOCUMENT NO.					
		AYIN		2010/12/10	SD-47596-002					
DRAFT WHERE APPLICABLE MUST REMAIN WITHIN DIMENSIONS		SIZE		THIS DRAWING CONTAINS INFORMATION THAT IS PROPRIETARY TO MOLEX INCORPORATED AND SHOULD NOT BE USED WITHOUT WRITTEN PERMISSION						
		A3		SHEET NO. 2 OF 2						

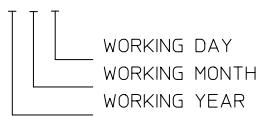
10 9 8 7 6 5 4 3 2 1



LEVER POSITION: OPEN
PUSH LEVER OUT
TO UNLOCK

NOTES:

- ① INK PRINTED DATE CODE: * * *
- ② AREA FILLED WITH BLACK INK.
- ③ INSULATOR OVERHANG ILM FRAME.
- 4. PARTS ARE COMPLIANT TO RoHS DIRECTIVE 2002/95/EC AND ELV 2000/53/EC.
- 5. PARTS ARE HALOGEN FREE.

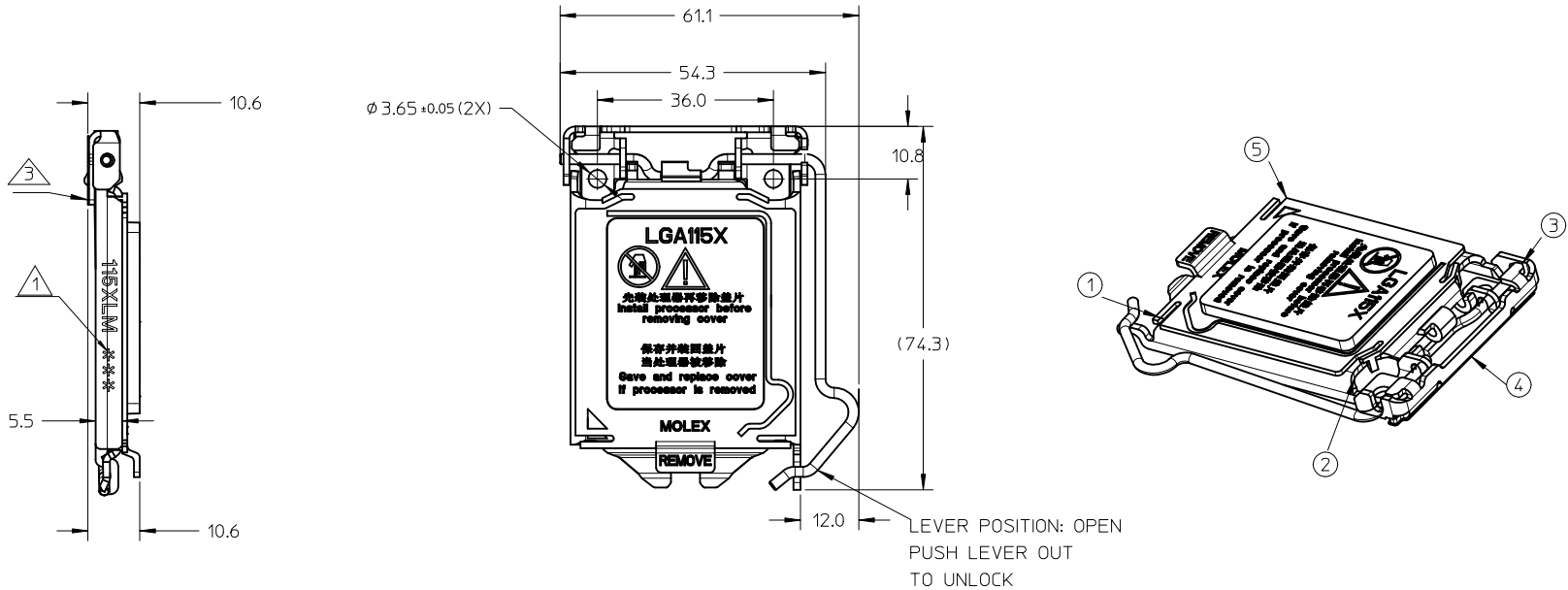


BILL OF MATERIAL (47596-8811)			
ITEM NO	Q'TY	DESCRIPTION	MATERIAL
	1	ILM TOP ASSY WITHOUT SCREW	
①	1	ILM LEVER	STAINLESS STEEL
②	1	ILM LOAD PLATE	STAINLESS STEEL
③	1	ILM FRAME	STEEL WITH NICKEL PLATING
④	1	ILM FRAME INSULATOR	POLYCARBONATE FILM

ENTER DESCRIPTION EC NO: SH2012-0210 DRWN: ZHANG11 2012/01/05 CHKD: APPR: AYIN 2012/02/02	QUALITY SYMBOLS $F_A=0$ $F_C=0$ $F_B=0$	GENERAL TOLERANCES (UNLESS SPECIFIED)		DIMENSION STYLE MM ONLY	SCALE 1:1	DESIGN UNITS METRIC	THIRD ANGLE PROJECTION		
		4 PLACES \pm --- \pm ---	mm INCH	DRAWN BY JGU007	DATE 2008/01/10	TITLE 115X ILM TOP ASSY			
		3 PLACES \pm --- \pm ---		CHECKED BY JKACHLIC	DATE 2008/01/10	MOLEX INCORPORATED			
		2 PLACES ± 0.10 \pm --- 1 PLACE ± 0.25 \pm ---		APPROVED BY AYIN	DATE 2010/12/10	MATERIAL NO. SEE TABLE	DOCUMENT NO. SD-47596-002	SHEET NO. 1 OF 2	

47596-8811	WITHOUT ILM PNP COVER*
PART NO.	DESCRIPTION

9 8 7 6 5 4 3 2 1



BILL OF MATERIAL (47596-8711)

ITEM NO	Q'TY	DESCRIPTION	MATERIAL
	1	ILM TOP ASSY WITHOUT SCREW	
①	1	ILM LEVER	STAINLESS STEEL
②	1	ILM LOAD PLATE	STAINLESS STEEL
③	1	ILM FRAME	STEEL WITH NICKEL PLATING
④	1	ILM FRAME INSULATOR	POLYCARBONATE FILM
⑤	1	ILM PNP COVER	PC/ABS

47596-8711	WITH ILM PNP COVER
PART NO.	DESCRIPTION

ENTER DESCRIPTION EC NO: SHZ012-0210 DRWN: ZHANG11 CHKD: APPR: AYIN 2012/01/05 2012/02/02	DESCRIPTION REV	QUALITY SYMBOLS	GENERAL TOLERANCES (UNLESS SPECIFIED)	DIMENSION STYLE	SCALE	DESIGN UNITS	THIRD ANGLE PROJECTION	
		$F_A=0$ $F_C=0$ $F_P=0$	mm INCH 4 PLACES ± --- ± --- 3 PLACES ± --- ± --- 2 PLACES ± 0.10 ± --- 1 PLACE ± 0.25 ± --- ANGULAR ± ---°	MM ONLY	1:1	METRIC		
			DRAFT WHERE APPLICABLE MUST REMAIN WITHIN DIMENSIONS	DRAWN BY: JGU007 CHECKED BY: JKACHLIC APPROVED BY: AYIN DATE: 2008/01/10 DATE: 2008/01/10 DATE: 2010/12/10	TITLE	115X ILM TOP ASSY		
				MATERIAL NO. SEE TABLE SIZE: A3 THIS DRAWING CONTAINS INFORMATION THAT IS PROPRIETARY TO MOLEX INCORPORATED AND SHOULD NOT BE USED WITHOUT WRITTEN PERMISSION	MOLEX INCORPORATED DOCUMENT NO. SD-47596-002 SHEET NO. 2 OF 2			