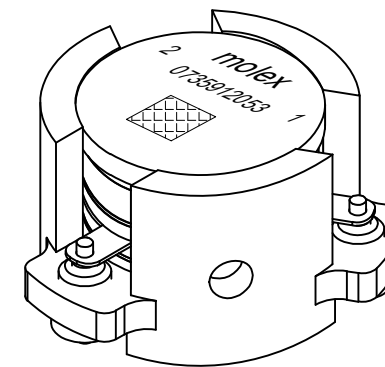
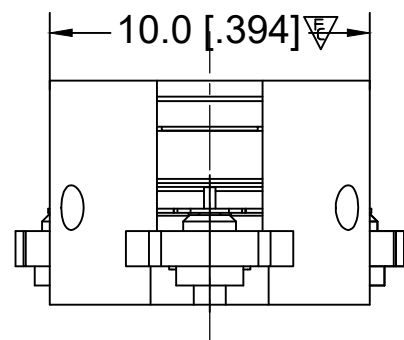
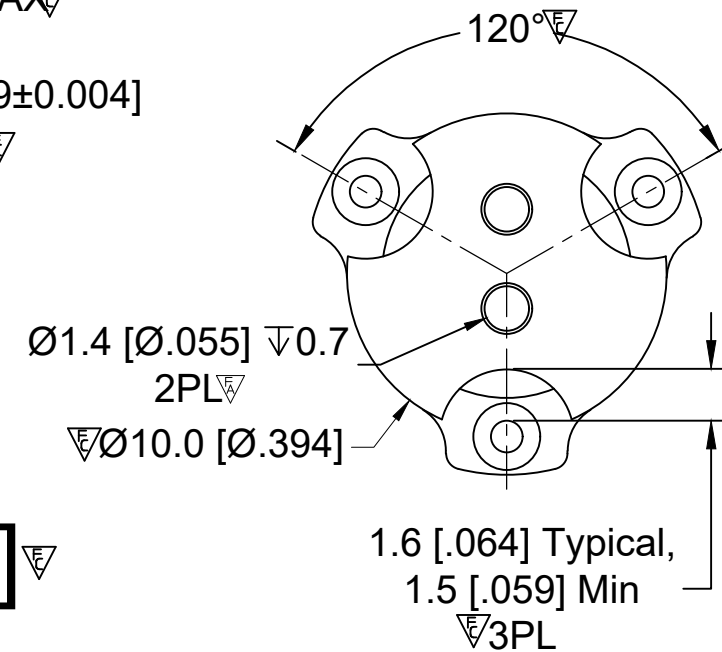
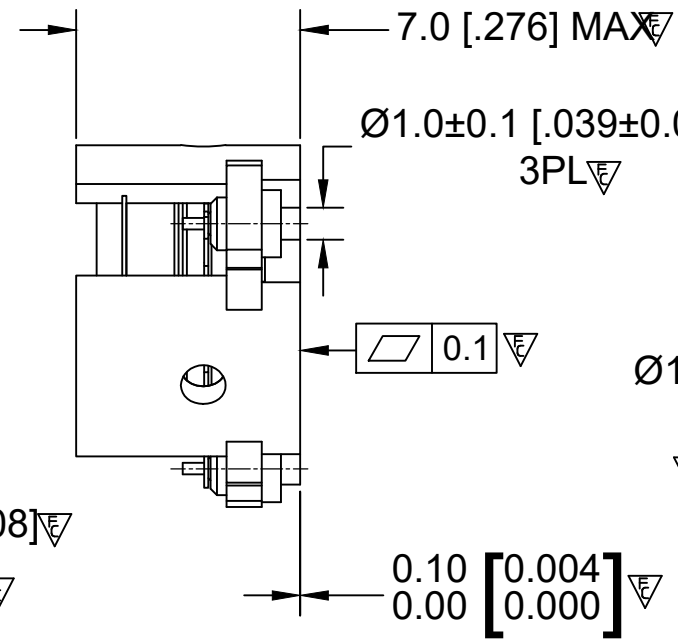
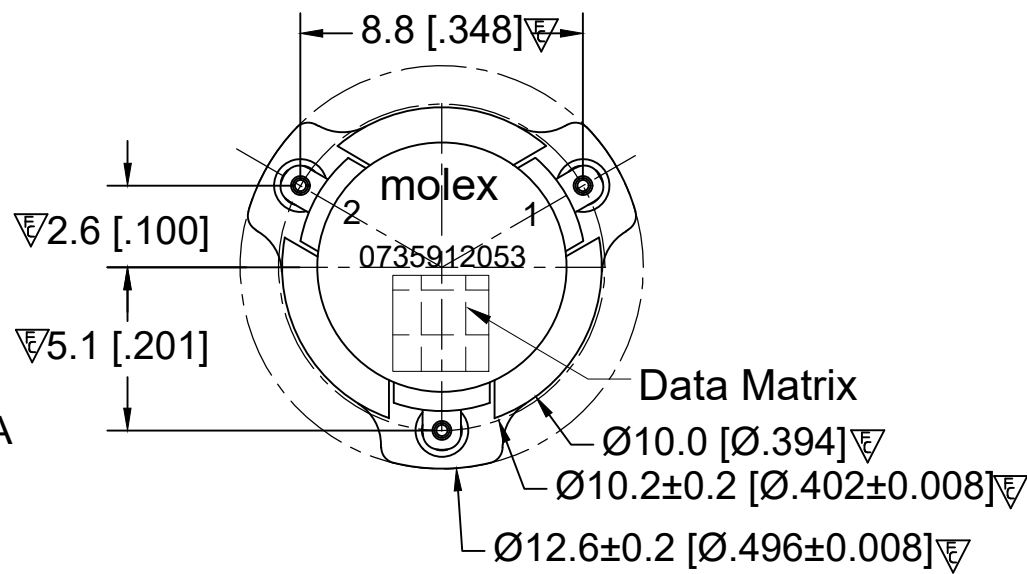
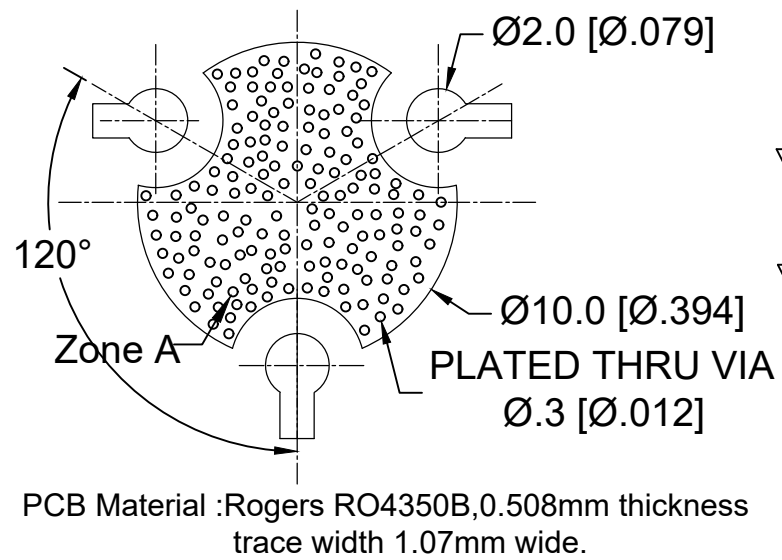


RECOMMENDED LAND PATTERN :

Zone A must be attached to heat sink. Thermal conductivity of intermediate layers between Zone A and heat sink must be better than 0.1 W / [°C x mm].



ELECTRICAL SPECIFICATIONS :

- Frequency Range : 4500~5000 MHz
- Insertion Loss : 0.25 dB@25°C ,0.28dB Max
- Isolation : 21 dB Min
- Return Loss : 21 dB Min
- Average Power : 20 W (CW)
- Peak Power : 160 W
- 2nd Harmonic : 10 dB min
- 3rd Harmonic : 5 dB min
- FMD(2 x 5 W, 1 MHz space) : -60 dBc Max
- Operating Temperature : -40°C to +105°C
- +105°C to +130°C : power capacity and reliability no change ,
Insertion loss reduce 20%, other spec.reduce 10%,
No reliability risk for long period work.
- Storage Temperature : -65°C to +155°C
- Direction : CCW

BODY: CARBON STEEL, SILVER PLATED

RIGID PINS: COPPER, SILVER PLATED

NOTES:

- 1.STANDARD INPUT/OUTPUT IMPEDANCE 50 Ohm
- 2.LEAD FREE, NO Nd MATERIAL, BeO FREE
- 3.THE DIMENSION OF DATE MATRIX IS 3X3MM INFORMATION INCLUDING WORK ORDER NUMBER-SERIAL NUMBER-MATERIAL NUMBER
- 4.THIS PART COMPLIES WITH ALL RoHS REQUIREMENTS

ENG PART#:812-450-500-VP040

FUNCTIONAL SYMBOLS FA=0 FE=0 FP=0	THIS DRAWING CONTAINS INFORMATION THAT IS PROPRIETARY TO MOLEX ELECTRONIC TECHNOLOGIES, LLC AND SHOULD NOT BE USED WITHOUT WRITTEN PERMISSION		CURRENT REV DESC: RELEASE TO PROD		molex				
	DIMENSION UNITS MM	SCALE 1:1	EC NO: 696580					SMSJ CIRCULATOR/4500~5000MHZ/CCW	
	GENERAL TOLERANCES (UNLESS SPECIFIED)		DRWN: SREN05 2022/02/21		RESTRICTED PRODUCT CUSTOMER DRAWING				
	DIVISIONAL SYMBOLS		CHK'D: JLI252 2022/02/23		DOCUMENT NUMBER				
4 PLACES ±0.005 ±----		APPR: HWANG186 2022/03/01		735912053		PSD	000	A	
3 PLACES ±0.025 ±----		INITIAL REVISION:		735912053					
2 PLACES ±0.13 ±----		DRWN: SREN05 2021/11/15		735912053					
1 PLACE ±0.2 ±----		APPR: HWANG186 2022/03/01		735912053					
0 PLACES ±0.4 ±----		ANGULAR TOL ± 1.5 °		735912053					
DRAFT WHERE APPLICABLE MUST REMAIN WITHIN DIMENSIONS		THIRD ANGLE PROJECTION		DRAWING		SERIES		MATERIAL NUMBER	
		A3-SIZE		73591		0735912053		CUSTOMER	
								SHEET NUMBER	
								1 OF 1	