

LOC	DIST	REVISIONS					
A	66	P	LTR	DESCRIPTION	DATE	DWN	APVD
			S1	SEE PRODUCT DRAWING	-	-	-


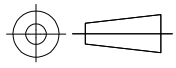
SEE PRODUCTION DRAWING
687638-7

THIS DRAWING IS UNPUBLISHED.

ALL INTERNATIONAL RIGHTS RESERVED.

BY TYCO ELECTRONICS CORPORATION.

© COPYRIGHT

DIMENSIONS: INCHES	DWN	M.YOUNGER	11NOV2009	MATERIAL	-	FINISH	-	
	CHK	-	-	 Tyco Electronics Corporation Harrisburg, PA 17105-3608				
TOLERANCES UNLESS OTHERWISE SPECIFIED:	APVD	-	-					NAME
	PRODUCT SPEC	-	-	APPLICATOR, MINIATURE QUICK CHANGE HINGE BAR E.F.(TAB LOK(LEFT HAND))				
0 PLC ± -	APPLICATION SPEC	-	-	SIZE	A4	CAGE CODE	C-687638-7	
1 PLC ± -	WEIGHT	-	-	DRAWING NO		RESTRICTED TO	-	
2 PLC ± -		CUSTOMER DRAWING					SCALE	1:1
3 PLC ± -							SHEET	1 OF 1
4 PLC ± -						REV	S1	
ANGLES ± -								