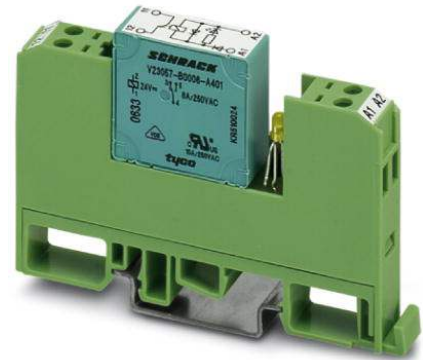


## EMG 10-REL/KSR-G 24/ 1-LC AU

Order No.: 2940087

The illustration shows version EMG 10-REL/KSR-G 24/1-LC AU, with soldered-in miniature switching relay



<http://eshop.phoenixcontact.de/phoenix/treeViewClick.do?UID=2940087>

Relay module, with soldered-in miniature switching relay, gold contact for small loads, 1 N/O contact, input voltage 24 V DC

### Commercial data

EAN	4017918079857
Pack	10 pcs.
Customs tariff	85364190
Weight/Piece	0.03768 KG
Catalog page information	Page 123 (IF-2009)

### Product notes

WEEE/RoHS-compliant since:  
10/17/2006



<http://www.download.phoenixcontact.com>  
Please note that the data given here has been taken from the online catalog. For comprehensive information and data, please refer to the user documentation. The General Terms and Conditions of Use apply to Internet downloads.

### Technical data

#### Coil side

Nominal input voltage $U_N$	24 V DC
Input voltage range in reference to $U_N$	0.8 ... 1.1
Nominal input current at $U_{IN}$	21 mA
Typical response time	7 ms
Typical release time	11 ms

Operating voltage display	Yellow LED
Name of protection	Polarity protection
Protective circuit/component	Polarity protection diode

#### Contact side

Contact type	Double contact, 1 N/O contact
Contact material	AgPd60 5 µm hard gold-plated
Maximum switching voltage	30 V AC 36 V DC
Maximum inrush current	0.2 A
Limiting continuous current	0.5 A
Interrupting rating (ohmic load) max.	5 W (for 24 V DC)
Note	<b>the following values are applicable if a gold layer is destroyed</b>
Maximum switching voltage	125 V AC
Limiting continuous current	2 A
Maximum inrush current	2 A
Interrupting rating (ohmic load) max.	29 W (for 24 V DC) 29 W (for 48 V DC) 29 W (for 60 V DC)

#### General data

Width	10.6 mm
Height	53.5 mm
Depth	75 mm
Test voltage relay winding/relay contact	4 kV AC (50 Hz, 1 min)
Ambient temperature (operation)	-20 °C ... 40 °C
Ambient temperature (storage/transport)	-20 °C ... 70 °C
Operating mode	100% operating factor
Service life mechanical	Approx. $2 \times 10^7$ cycles
Standards/regulations	IEC 60664 IEC 60664 A DIN VDE 0110 DIN EN 50178/DIN VDE 0160 (in relevant parts) Basic insulation
Pollution degree	2
Surge voltage category	III

Mounting position	Any
Assembly instructions	In rows with zero spacing

#### Connection data

Type of connection	Screw connection
Conductor cross section solid min.	0.2 mm <sup>2</sup>
Conductor cross section solid max.	4 mm <sup>2</sup>
Conductor cross section stranded min.	0.2 mm <sup>2</sup>
Conductor cross section stranded max.	2.5 mm <sup>2</sup>
Conductor cross section AWG/kcmil min.	24
Conductor cross section AWG/kcmil max	12
Stripping length	8 mm
Screw thread	M3

#### Certificates / Approvals



Certification CUL, GOST, UL

#### Accessories

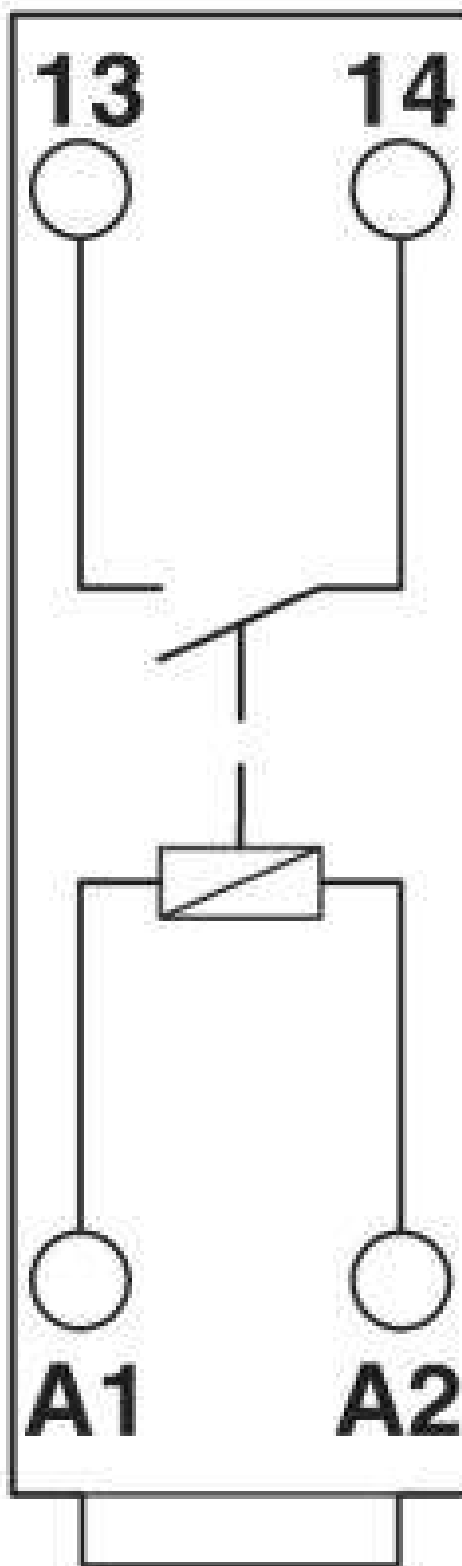
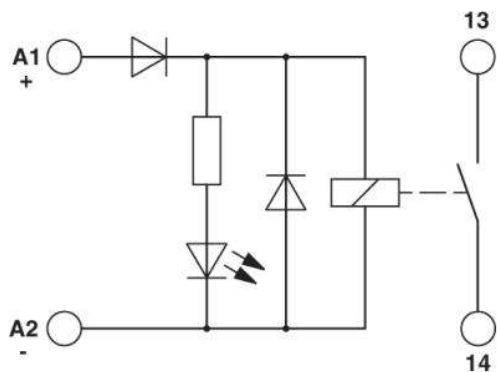
Item	Designation	Description
2947585	EMG-SGKS 10	Equipment marker, narrow

#### Marking

2947585	EMG-SGKS 10	Equipment marker, narrow
---------	-------------	--------------------------

**Diagrams/Drawings**

Circuit diagram



**Address**

PHOENIX CONTACT Inc., USA  
586 Fulling Mill Road  
Middletown, PA 17057, USA  
Phone (800) 888-7388  
Fax (717) 944-1625  
<http://www.phoenixcon.com>



© 2010 Phoenix Contact  
Technical modifications reserved;