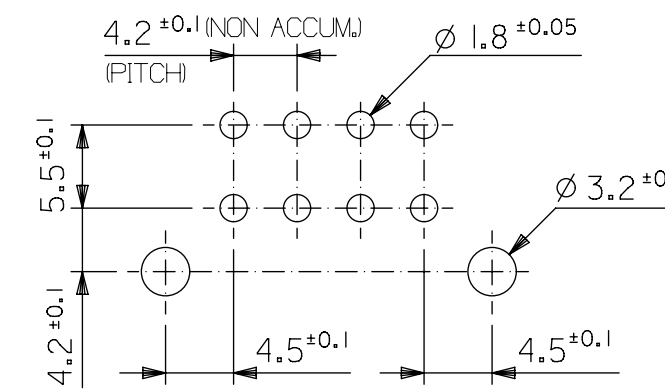
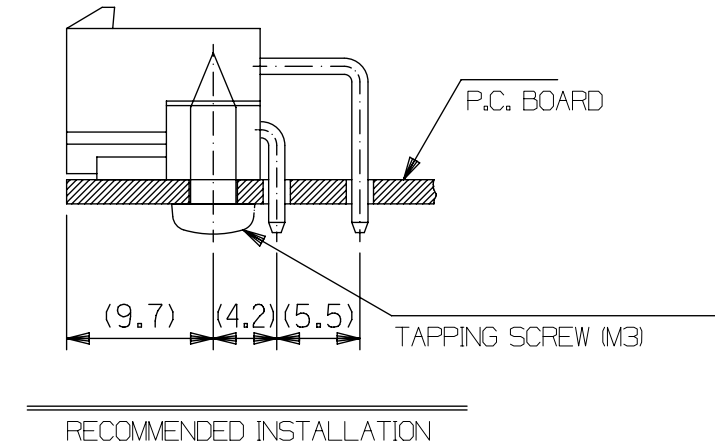
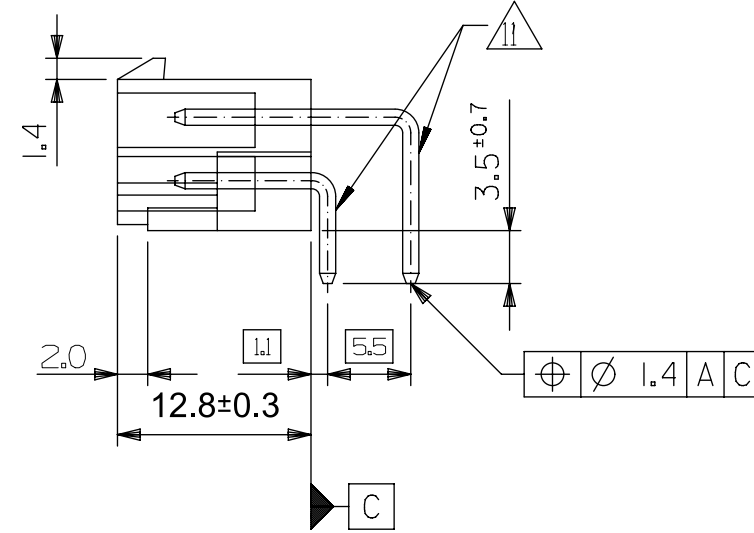
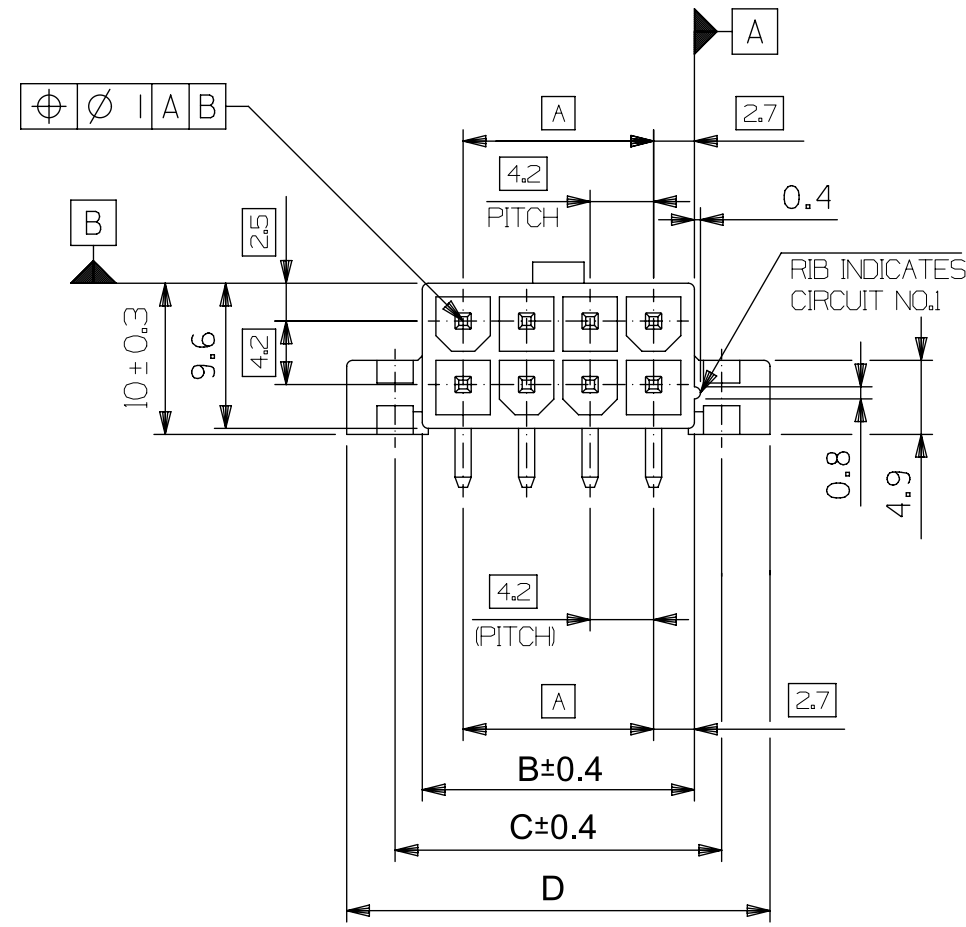
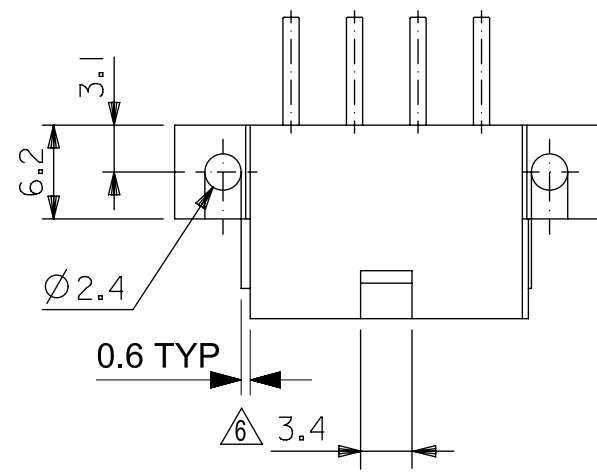


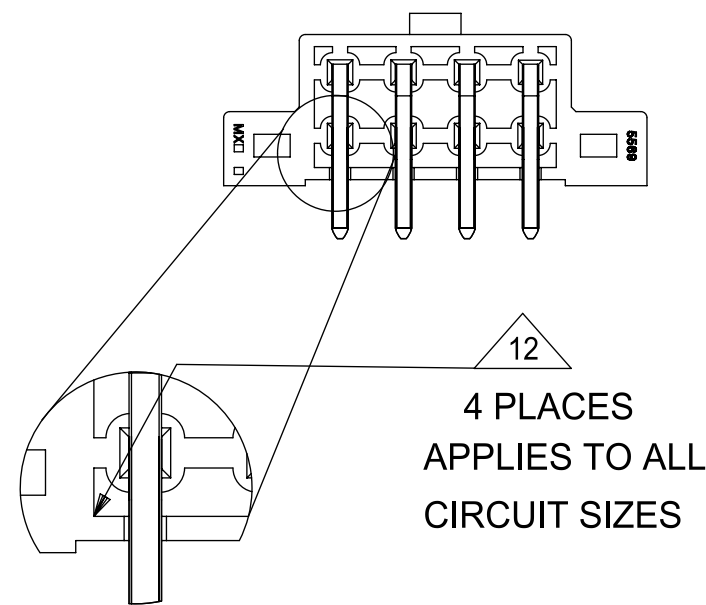
ENG. NO.	HEADER MATERIAL	FINISH OF PIN
5569-NA1	NYLON 66, UL94V-2, COLOR: NATURAL	MATTE TIN 2.54µm MIN. OVER NICKEL 1.27µm MIN.
▲ -NA1-T	NYLON 66, UL94V-2, COLOR: NATURAL	
-NA1-210	NYLON 66, UL94V-0, COLOR: NATURAL	
-NA1-210-T	NYLON 66, UL94V-0, COLOR: NATURAL	
-NA1-400	NYLON 66, UL94V-0, COLOR: BLACK	
-NAG1	NYLON 66, UL94V-2, COLOR: NATURAL	GOLD 0.76µm MIN. AND TIN OVER 2.54µm MIN. OVER NICKEL 1.27µm MIN.
-NA1G-T	NYLON 66, UL94V-2, COLOR: NATURAL	
-NAG1-210	NYLON 66, UL94V-0, COLOR: NATURAL	
-NA1G-210-T	NYLON 66, UL94V-0, COLOR: NATURAL	
-NA1G-400	NYLON 66, UL94V-0, COLOR: BLACK	GOLD 0.38µm MIN. AND TIN OVER 2.54µm MIN. OVER NICKEL 1.27µm MIN.
-NAIGS2	NYLON 66, UL94V-2, COLOR: NATURAL	
-NAIGS2-210	NYLON 66, UL94V-0, COLOR: NATURAL	
-NAIGS3	NYLON 66, UL94V-2, COLOR: NATURAL	GOLD 1.27µm MIN. AND TIN OVER 2.54µm MIN. OVER NICKEL 1.27µm MIN.
5569-NAIGS3-210	NYLON 66, UL94V-0, COLOR: NATURAL	



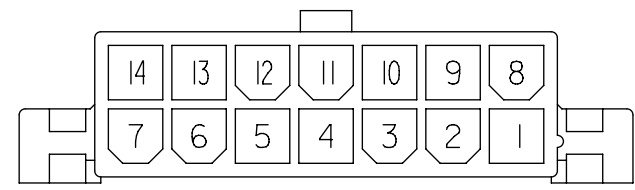
RECOMMENDED PCB HOLE LAYOUT  
VIEWED FROM COMPONENT SIDE  
1.78 MAX. THICK P.C. BOARD

- NOTES:
- MATERIAL:  
HOUSING MATERIAL: SEE CHART  
TERMINAL MATERIAL: BRASS ALLOY
  - FINISH: SEE CHART
  - PRODUCT SPECIFICATION: PS-5556-001
  - PACKAGING SPECIFICATION: SEE CHART  
BULK PACKED PER 55690001-PK OR PK-5569-002  
TRAY PACKED PER PK-5569-004, 39295083 IS TRAY PACKED
  - MATES WITH 5557 SERIES MINIFIT JR RECEPTACLE
  - FOR THE 2 CIRCUITS HEADER, THIS DIMENSION IS 4.2 MM
  - DISCOLORATION IN THE BANDOLIER CARRIER AREA OF THE PIN IS INHERENT TO THE PLATING PROCESS AND IS DUE TO THE MASKING EFFECT OF THE CARRIER. THIS DISCOLORATION IS IN A NON-FUNCTIONAL AREA OF THE PIN AND WILL NOT AFFECT THE PERFORMANCE OF THE HEADER ASSEMBLY.
  - PARTS ARE NOT DESIGNED FOR CURRENT SHARING.
  - CONNECTORS ARE NOT TO BE MATED OR UNMATED WHILE CIRCUITS ARE LIVE.
  - CONFORMS TO CLASS "B" REQUIREMENTS OF COSMETIC SPECIFICATION PS-45499-002.
  - FORMING MARKS ON PINS ARE ACCEPTABLE.
  - CORNER CORE-OUTS ARE OPTIONAL AND MAY OR MAY NOT BE PRESENT.
  - TEXT ON PART IS FOR REFERENCE ONLY. TEXT AND TEXT LOCATION MAY VARY DEPENDING ON PART NUMBER AND/OR TOOL.

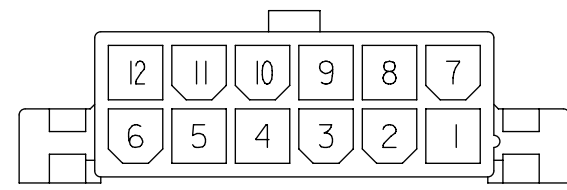
61.6		55.2	51.6	46.2	24
57.4		51.0	47.4	42.0	22
53.2	+0.8 -0.4	46.8	43.2	37.8	20
49.0		42.6	39.0	33.6	18
44.8		38.4	34.8	29.4	16
40.6		34.2	30.6	25.2	14
36.4	+0.6 -0.4	30.0	26.4	21.0	12
32.2		25.8	22.2	16.8	10
28.0		21.6	18.0	12.6	8
23.8		17.4	13.8	8.4	6
19.6	+/- 0.4	13.2	9.6	4.2	4
15.4		9.0	5.4	---	2
D	D TOL.	C	B	A	CIRCUIT COUNT



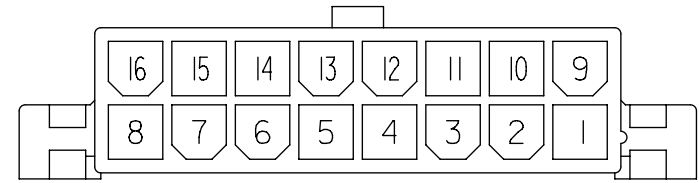
THIS DRAWING CONTAINS INFORMATION THAT IS PROPRIETARY TO MOLEX ELECTRONIC TECHNOLOGIES, LLC AND SHOULD NOT BE USED WITHOUT WRITTEN PERMISSION									
SYMBOLS	DIMENSION UNITS	SCALE	CURRENT REV DESC: MODIFY "D" TOLERANCE						
∇ = 0	MM ONLY	2:1	EC NO: 605022 DRWN: DSTEIER 2018/09/26 CHK'D: MKIPPER 2018/09/26 APPR: FSMITH 2018/09/28 INITIAL REVISION: DRWN: H. HIRAMOTO 1990/04/23 APPR: M. ENOMOTO 1991/07/04						
∇ = 0	GENERAL TOLERANCES (UNLESS SPECIFIED)								
∇ = 0									
∇ = 0									
S = 0	4 PLACES	±	±	PRODUCT CUSTOMER DRAWING DOCUMENT NUMBER: SD-5569-002 DOC TYPE: PSD DOC PART: 000 REVISION: N2 MATERIAL NUMBER: SEE CHART CUSTOMER: GENERAL MARKET SHEET NUMBER: 1 OF 2					
∇ = 0	3 PLACES	±	±						
∇ = 0	2 PLACES	±	0.2						
∇ = 0	1 PLACE	±	0.38						
∇ = 0	0 PLACES	±	±						
∇ = 0	ANGULAR TOL	±	3.0 °	THIRD ANGLE PROJECTION	DRAWING	SERIES	MATERIAL NUMBER	CUSTOMER	SHEET NUMBER
∇ = 0	DRAFT WHERE APPLICABLE MUST REMAIN WITHIN DIMENSIONS			∅	C-SIZE	5569	SEE CHART	GENERAL MARKET	1 OF 2



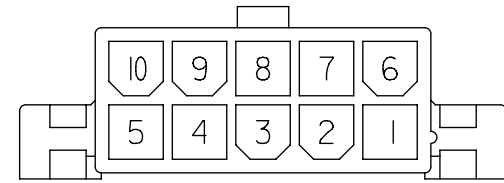
14 CKTS.



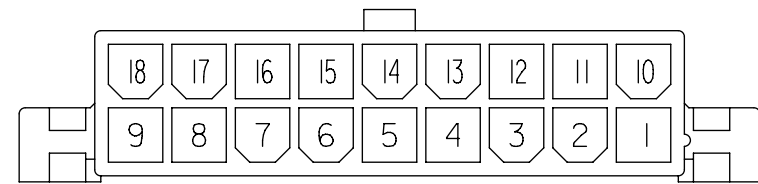
12 CKTS.



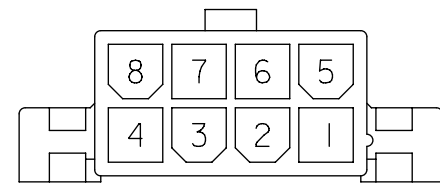
16 CKTS.



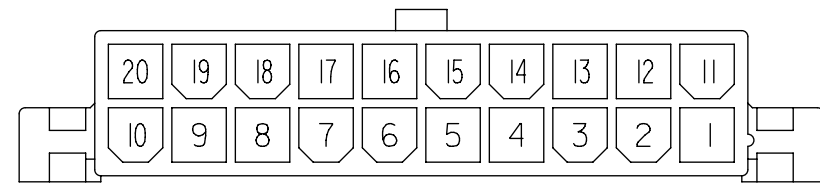
10 CKTS.



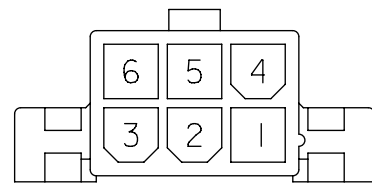
18 CKTS.



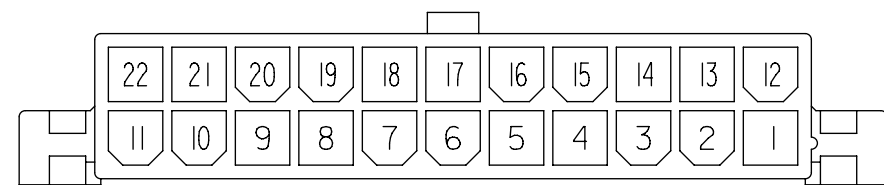
8 CKTS.



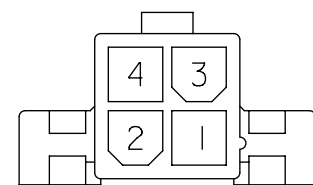
20 CKTS.



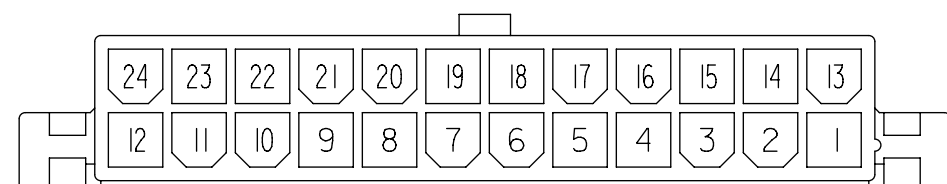
6 CKTS.



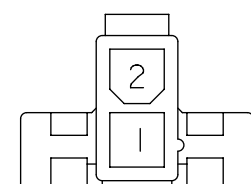
22 CKTS.



4 CKTS.



24 CKTS.



2 CKTS.

CIRCUIT SIZE LAYOUT  
(SCALE 2:1)

TRAY PACKED $\triangle$					BULK PACKED $\triangle$				
EDP NO.	ENG. NO.	EDP NO.	ENG. NO.	CIRCUIT SIZE	EDP NO.	ENG. NO.	EDP NO.	ENG. NO.	CIRCUIT SIZE
46999-0859	5569-24A1G-210-T	46999-0835	5569-24A1-210-T	24	39-29-4249	5569-24AG1-210	39-29-1247	5569-24A1-210	24
▲ -0858	▲ -22A1G-210-T	▲ -0834	▲ -22A1-210-T	22	▲ -4229	▲ -22AG1-210	▲ -1227	▲ -22A1-210	22
-0857	-20A1G-210-T	-0833	-20A1-210-T	20	-4209	-20AG1-210	-1207	-20A1-210	20
-0856	-18A1G-210-T	-0832	-18A1-210-T	18	-4189	-18AG1-210	-1187	-18A1-210	18
-0855	-16A1G-210-T	-0831	-16A1-210-T	16	-4169	-16AG1-210	-1167	-16A1-210	16
-0854	-14A1G-210-T	-0830	-14A1-210-T	14	-4149	-14AG1-210	-1147	-14A1-210	14
-0853	-12A1G-210-T	-0829	-12A1-210-T	12	-4129	-12AG1-210	-1127	-12A1-210	12
-0852	-10A1G-210-T	-0828	-10A1-210-T	10	-4109	-10AG1-210	-1107	-10A1-210	10
-0851	-08A1G-210-T	-0827	-08A1-210-T	8	-4089	-08AG1-210	-1087	-08A1-210	8
-0850	-06A1G-210-T	-0826	-06A1-210-T	6	-4069	-06AG1-210	-1067	-06A1-210	6
▼ -0849	▼ -04A1G-210-T	▼ -0825	▼ -04A1-210-T	4	▼ -4049	▼ -04AG1-210	▼ -1047	▼ -04A1-210	4
46999-0848	5569-02A1G-210-T	46999-0824	5569-02A1-210-T	2	39-29-4029	5569-02AG1-210	39-29-1027	5569-02A1-210	2
EDP NO.	ENG. NO.	EDP NO.	ENG. NO.	CIRCUIT SIZE	EDP NO.	ENG. NO.	EDP NO.	ENG. NO.	CIRCUIT SIZE
5569-NA1G-210-T		5569-NA1-210-T			5569-NAG1-210		5569-NA1-210		
46999-0847	5569-24A1G-T	46999-0823	5569-24A1-T	24	39-29-5243	5569-24AG1	39-29-1248	5569-24A1	24
▲ -0846	▲ -22A1G-T	▲ -0822	▲ -22A1-T	22	▲ -5223	▲ -22AG1	▲ -1228	▲ -22A1	22
-0845	-20A1G-T	-0821	-20A1-T	20	-5203	-20AG1	-1208	-20A1	20
-0844	-18A1G-T	-0820	-18A1-T	18	-5183	-18AG1	-1188	-18A1	18
-0843	-16A1G-T	-0819	-16A1-T	16	-5163	-16AG1	-1168	-16A1	16
-0842	-14A1G-T	-0818	-14A1-T	14	-5143	-14AG1	-1148	-14A1	14
-0841	-12A1G-T	-0817	-12A1-T	12	-5123	-12AG1	-1128	-12A1	12
-0840	-10A1G-T	-0816	-10A1-T	10	-5103	-10AG1	-1108	-10A1	10
-0839	-08A1G-T	-0815	-08A1-T	8	▲ -5083	-08AG1	-1088	-08A1	8
-0838	-06A1G-T	-0814	-06A1-T	6	▼ -5063	-06AG1	-1068	-06A1	6
▼ -0837	▼ -04A1G-T	▼ -0813	▼ -04A1-T	4	▼ -5043	-04AG1	-1048	-04A1	4
46999-0836	5569-02A1G-T	46999-0812	5569-02A1-T	2	39-29-5023	5569-02AG1	39-29-1028	5569-02A1	2
EDP NO.	ENG. NO.	EDP NO.	ENG. NO.	CIRCUIT SIZE	EDP NO.	ENG. NO.	EDP NO.	ENG. NO.	CIRCUIT SIZE
5569-NA1G-T		5569-NA1-T			5569-NAG1		5569-NA1		
									24
									22
									20
									18
									16
									14
									12
									10
									8
									6
					39-34-7045	5569-04AIGS3-210	39-34-7043	5569-04AIGS2-210	4
					39-34-7025	5569-02AIGS3-210	39-34-7023	5569-02AIGS2-210	2
					EDP NO.	ENG. NO.	EDP NO.	ENG. NO.	CIRCUIT SIZE
5569-NA1G-400		5569-NA1-400			5569-NAIGS3-210		5569-NAIGS2-210		
46999-0791	5569-24A1G-400	46999-0779	5569-24A1-400	24					24
▲ -0790	▲ -22A1G-400	▲ -0778	▲ -22A1-400	22					22
-0789	-20A1G-400	-0777	-20A1-400	20					20
-0788	-18A1G-400	-0776	-18A1-400	18					18
-0787	-16A1G-400	-0775	-16A1-400	16					16
-0786	-14A1G-400	-0774	-14A1-400	14					14
-0785	-12A1G-400	-0773	-12A1-400	12					12
-0784	-10A1G-400	-0772	-10A1-400	10					10
-0783	-08A1G-400	-0771	-08A1-400	8					8
-0782	-06A1G-400	-0770	-06A1-400	6					6
▼ -0781	▼ -04A1G-400	▼ -0769	▼ -04A1-400	4	39-34-7044	5569-04AIGS3	39-34-7042	5569-04AIGS2	4
46999-0780	5569-02A1G-400	46999-0768	5569-02A1-400	2	39-34-7024	5569-02AIGS3	39-34-7022	5569-02AIGS2	2
EDP NO.	ENG. NO.	EDP NO.	ENG. NO.	CIRCUIT SIZE	EDP NO.	ENG. NO.	EDP NO.	ENG. NO.	CIRCUIT SIZE
5569-NA1G-400		5569-NA1-400			5569-NAIGS3		5569-NAIGS2		

SYMBOLS	THIS DRAWING CONTAINS INFORMATION THAT IS PROPRIETARY TO MOLEX ELECTRONIC TECHNOLOGIES, LLC AND SHOULD NOT BE USED WITHOUT WRITTEN PERMISSION	CURRENT REV/DESC: MODIFY "D" TOLERANCE	<b>molex</b>
	MINI FIT JR RIGHT ANGLE HEADER ASSY WITH FLANGES		
DIMENSION UNITS: <b>MM ONLY</b> SCALE: <b>2:1</b> GENERAL TOLERANCES (UNLESS SPECIFIED): 4 PLACES ±     ± 3 PLACES ±     ± 2 PLACES ± 0.2 ± 1 PLACE ± 0.38 ± 0 PLACES ±     ± ANGULAR TOL ± 3.0 ° DRAFT WHERE APPLICABLE MUST REMAIN WITHIN DIMENSIONS	EC NO: 605022 DRWN: DSTEIER 2018/09/26 CHK'D: MKIPPER 2018/09/26 APPR: FSMITH 2018/09/28 INITIAL REVISION: DRWN: H. HIRAMOTO 1990/04/23 APPR: M. ENOMOTO 1991/07/04 THIRD ANGLE PROJECTION DRAFTING SERIES: <b>C-SIZE 5569</b>	PRODUCT CUSTOMER DRAWING DOCUMENT NUMBER: <b>SD-5569-002</b> DOC TYPE: PSD DOC PART: 000 REVISION: <b>N2</b>	MATERIAL NUMBER: SEE CHART CUSTOMER: GENERAL MARKET SHEET NUMBER: 2 OF 2