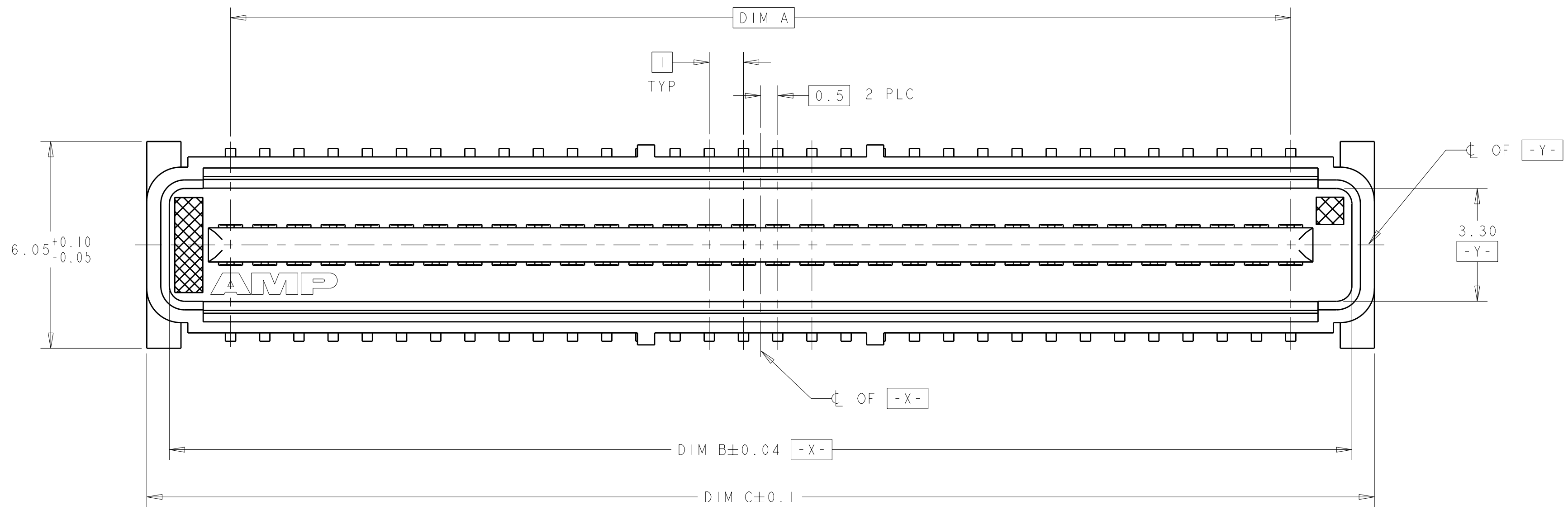
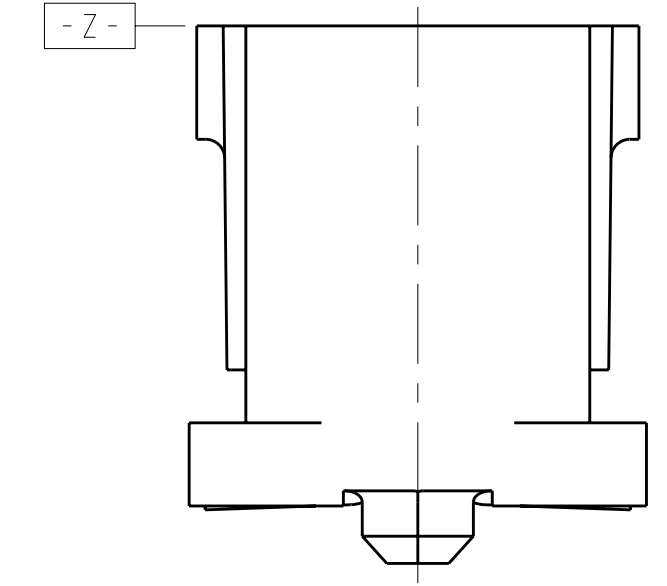
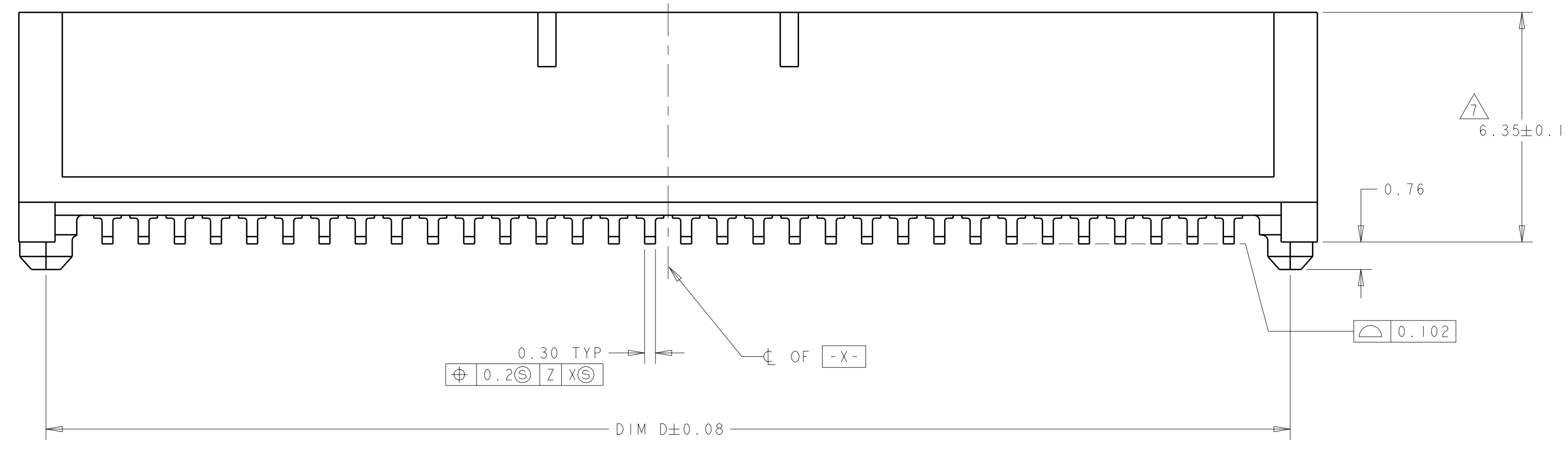


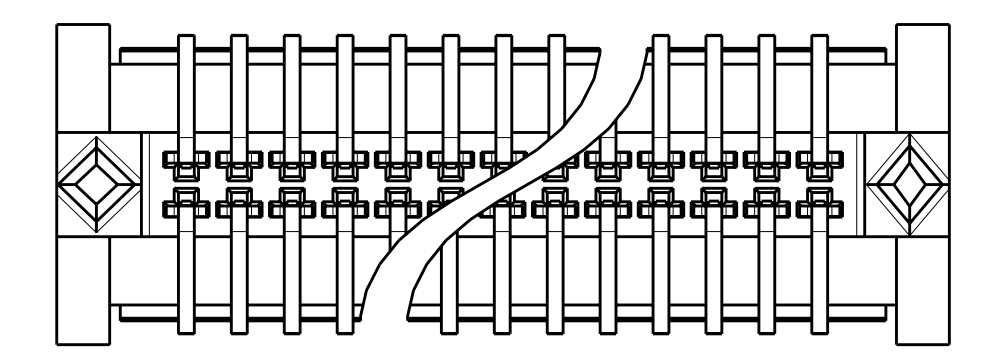
LOC		DIST		REVISIONS			
AD	00	REV	DATE	BY	CHK	APP'D	DESCRIPTION
		0	30SEP2004	BC	RW		REV PER EC 0512-0235-04
		A	16SEP2005	BC	RW		REV PER EC 0512-0213-05
		B	10JUL2008	DH	DB		REVISED PER ECO-08-008615
		B1	12SEP2009	AEG	HM		REV PER ECO-09-018460



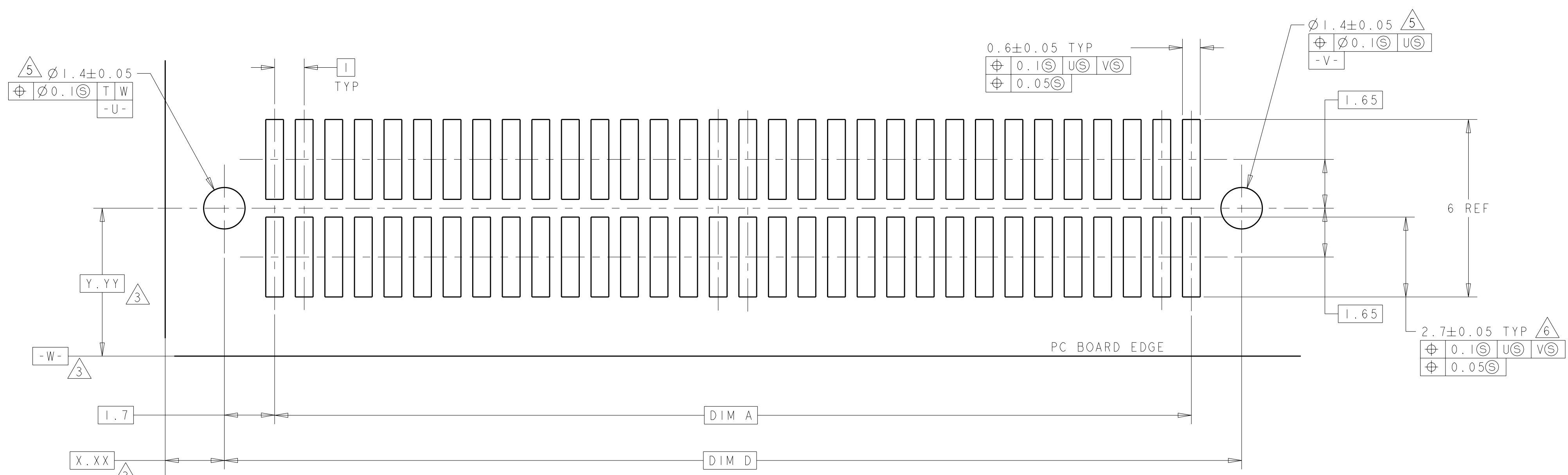
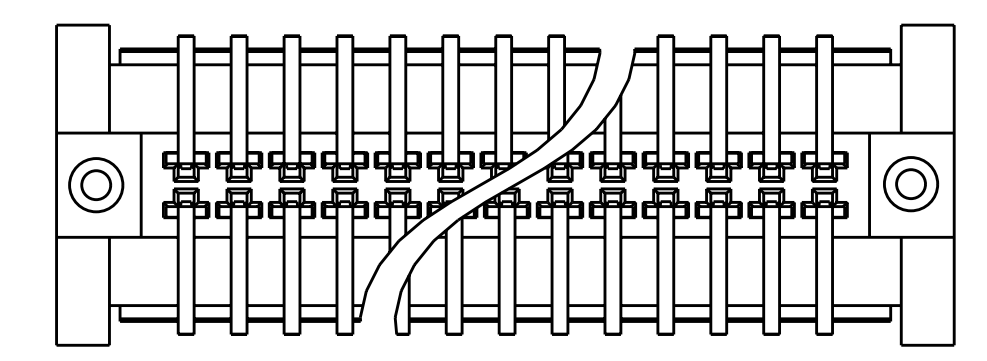
- 1 HOUSING MATERIAL: LIQUID CRYSTAL POLYMER. COLOR; BLACK. CONTACT MATERIAL: PHOSPHOR BRONZE.
- 2 CONTACT FINISH: NICKEL UNDERPLATE ALL OVER, MATING SURFACES PLATED TO MEET PLI PERFORMANCE REQUIREMENTS OF INDUSTRY SPECIFICATION EIA-700AAAB, SOLDER TAILS PLATED TIN.
- 3 DATUM LOCATIONS AND BASIC DIMENSIONS TO BE ESTABLISHED BY THE CUSTOMER. CONSULT AMP ENGINEERING WHEN PLACING MULTIPLE CONNECTORS ON A PC BOARD.
- 4 PACKAGED IN TAPE ON REELS PER EIA-481.
- 5 1.5 MIN DIAMETER HOLE SHOULD BE USED IF USING POST STYLE "A" AND PLACING ON PCB WITH VACUUM PLACEMENT EQUIPMENT.
- 6 SHORTER SOLDER LANDS MAY BE USED PER EIA 700AAAB, HOWEVER 2.7 LENGTH ASSURES OPTIMUM SOLDER FILLET REGARDLESS OF MANUFACTURER OF CONNECTOR.
- 7 REFERRED TO AS DIM N IN EIA 700AAAB SPECIFICATION.
- 8 CONTACT FINISH: 0.00381 MINIMUM MATTE TIN PER ASTM B 545 ON SOLDER AREA, 0.00127 MINIMUM GOLD PER ASTM B 488 ON MATING AREA, BOTH OVER 0.00127 MINIMUM NICKEL PER SAE-AMS-QQ-N-290 ON ENTIRE CONTACT.
- 9 SQUARE AND DIAMOND SHAPED POSTS
- 10 ROUND SHAPED POSTS



9 STYLE A POSTS



10 STYLE B POSTS



RECOMMENDED PC BOARD LAYOUT

POST STYLE	FINISH	DIM D	DIM C	DIM B	DIM A	STACK HGTS	POS	PART NO
10	8	44.4	45.9	44.58	41	8	84	3-5120525-2
10	8	34.4	35.9	34.58	31	8	64	3-5120525-1
10	2	44.4	45.9	44.58	41	8	84	2-5120525-2
10	2	34.4	35.9	34.58	31	8	64	2-5120525-1
9	8	44.4	45.9	44.58	41	8	84	1-5120525-2
9	8	34.4	35.9	34.58	31	8	64	1-5120525-1
9	2	44.4	45.9	44.58	41	8	84	5120525-2
9	2	34.4	35.9	34.58	31	8	64	5120525-1

OBSELETE

<p>THIS IS SUBJECT TO CHANGE WITHOUT NOTICE AND WITHOUT OBLIGATION. DIMENSIONS ARE SHOWN UNLESS OTHERWISE SPECIFIED.</p> <p>9 PLC ±</p> <p>1 PLC ±0.03</p> <p>5 PLC ±0.003</p> <p>4 PLC ±</p> <p>ANGLES ±0°30'</p> <p>FINISH SEE TABLE</p>	<p>TOLERANCES UNLESS OTHERWISE SPECIFIED:</p> <p>9 PLC ±</p> <p>1 PLC ±0.03</p> <p>5 PLC ±0.003</p> <p>4 PLC ±</p> <p>ANGLES ±0°30'</p> <p>FINISH SEE TABLE</p>	<p>DIMENSIONS: mm</p> <p>9 PLC ±</p> <p>1 PLC ±0.03</p> <p>5 PLC ±0.003</p> <p>4 PLC ±</p> <p>ANGLES ±0°30'</p> <p>FINISH SEE TABLE</p>	<p>DRAWING NO: 114-25045</p> <p>WEIGHT: -</p> <p>CUSTOMER DRAWING</p>	<p>DATE: 30SEP04</p> <p>CHK: R. WERTZ</p> <p>APP'D: R. WERTZ</p> <p>PRODUCT SPEC: 502-1079</p> <p>APPLICATION SPEC: 114-25045</p> <p>SCALE: 10:1</p>	<p>NAME: PLUG ASSY, 1.0mm FH (IEEE1386) CONNECTOR</p> <p>SIZE: 00779</p> <p>CAGE CODE: 5120525</p> <p>RESTRICTED TO: -</p>	<p>TYCO ELECTRONICS</p> <p>Tyco Electronics Corporation</p> <p>Harrisburg, PA 17105-3608</p>
--	---	---	---	--	--	--