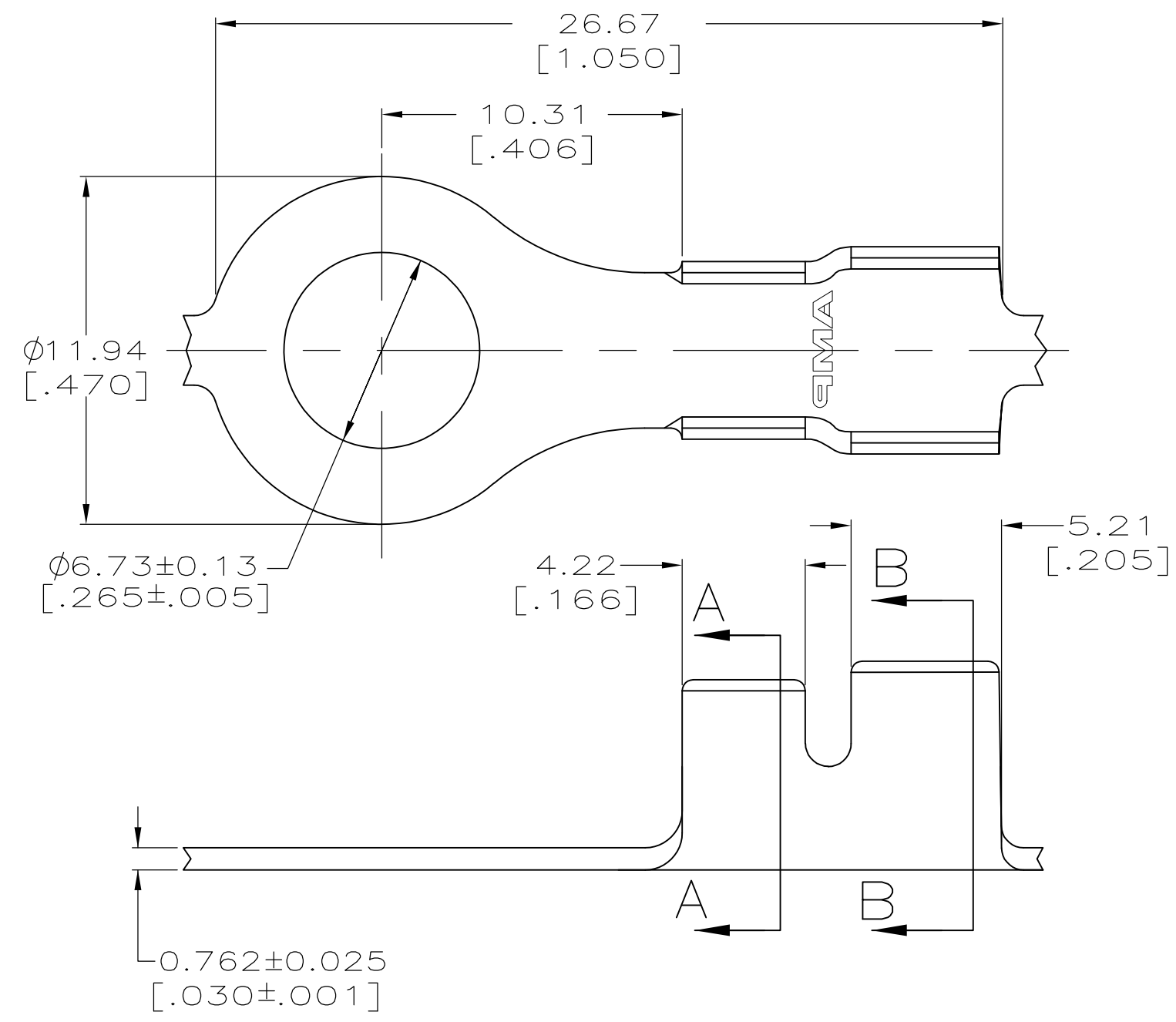
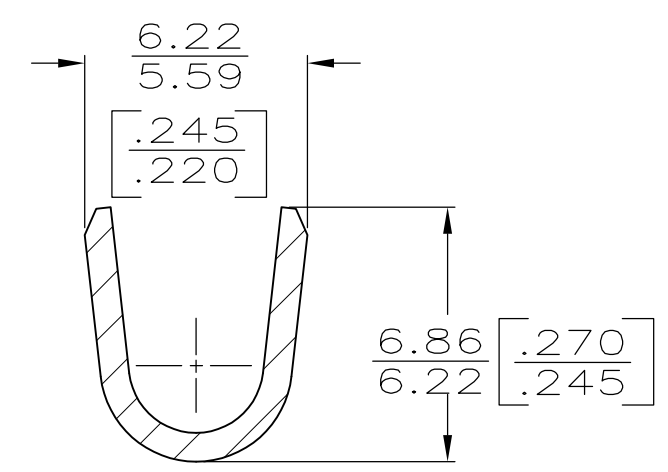


THIS DRAWING IS UNPUBLISHED. RELEASED FOR PUBLICATION  
 © COPYRIGHT BY TYCO ELECTRONICS CORPORATION. ALL INTERNATIONAL RIGHTS RESERVED.

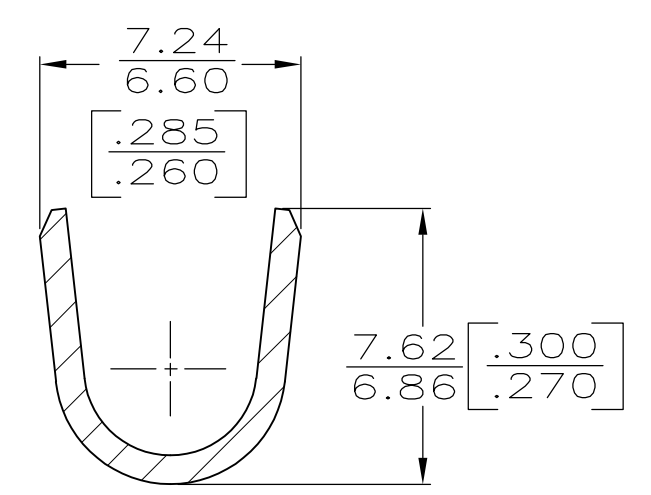
| LOC | DIST | REVISIONS   |                           |         |        |
|-----|------|-------------|---------------------------|---------|--------|
| P   | LTR  | DESCRIPTION | DATE                      | DWN     | APVD   |
| AF  | 50   | H           | REVISED PER ECR-10-006099 | 09JUL10 | HMR PD |



1. CONTINUOUS STRIP ON REEL.



SECTION A-A



SECTION B-B

|                              |            |             |
|------------------------------|------------|-------------|
| 3.81-5.33<br>[.150-.210] DIA | 12-10 AWG  | 62691-2     |
| INSULATION RANGE             | WIRE RANGE | PART NUMBER |

|  |   |                                       |   |           |
|--|---|---------------------------------------|---|-----------|
| THIS DRAWING IS A CONTROLLED DOCUMENT. |   | DWN<br>PHILLIP M FORTNEY<br>29JAN1999 | Tyco Electronics Corporation<br>Harrisburg, PA 17105-3608 |           |
| DIMENSIONS:<br>mm [INCHES]             | TOLERANCES UNLESS<br>OTHERWISE SPECIFIED: | CHK<br>JEFF R RUTH<br>29JAN1999       | NAME  |           |
|  | 0 PLC ± -                                 | APVD<br>JEREMY DUNCAN<br>29JAN1999    | RING  |           |
|  | 1 PLC ± -                                 | PRODUCT SPEC                          | -   |           |
|  | 2 PLC ± 0.38 [.015]                       | APPLICATION SPEC                      | SIZE  | CAGE CODE |
|  | 3 PLC ± -                                 |                                       | A3  | 00779     |
|  | 4 PLC ± -                                 |                                       | DRAWING NO  | C-62691   |
|  | ANGLES ± -                                |                                       | RESTRICTED TO   | -         |
| MATERIAL                               | FINISH                                    | WEIGHT                                | CUSTOMER DRAWING  |           |
| 081 BRASS                              | TIN                                       | -                                     | SCALE   | 5:1       |
|  |   |                                       | SHEET   | 1 OF 1    |
|  |   |                                       | REV   | H         |