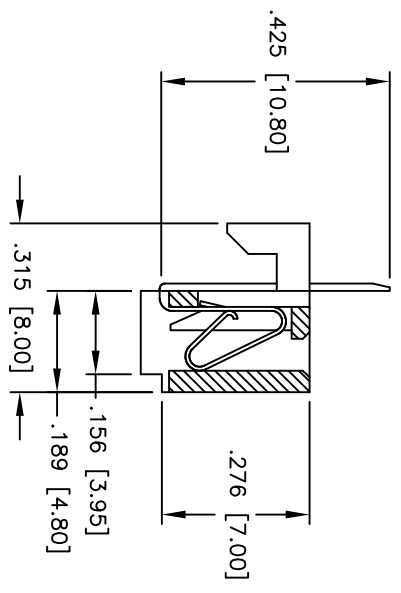
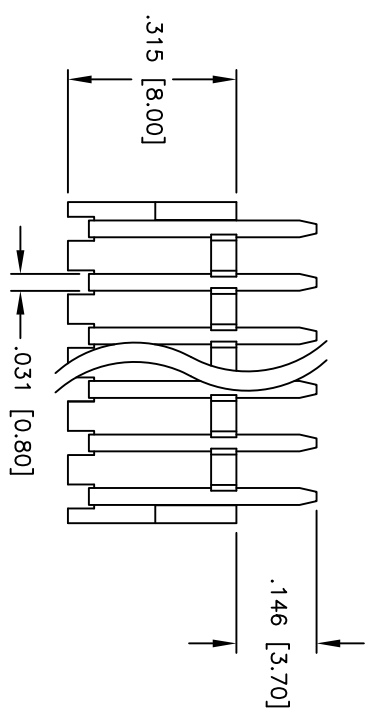
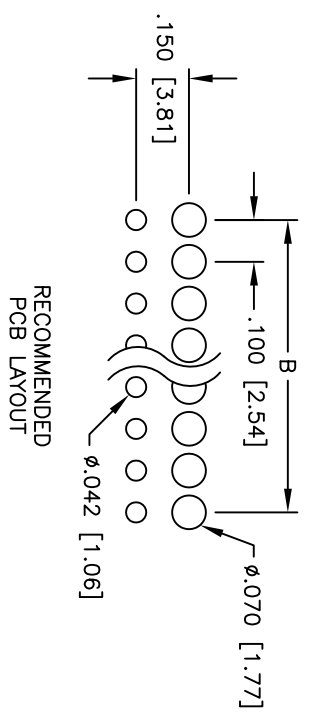
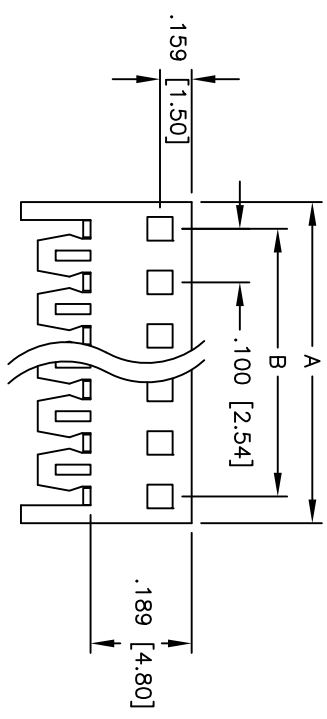


Rev	AWO #	Description	Date	Appr
-		RELEASED	6/2/05	

APPROVED: \_\_\_\_\_  
 DATE: \_\_\_\_\_ TITLE: \_\_\_\_\_



Positions: 02 thru 20  
 A = .100 [2.54] x No. of Positions  
 B = .100 [2.54] x No. of Spaces

**SPECIFICATIONS:**  
 Material: Insulator: Nylon 66, rated UL 94V-0  
 Insulator color: Natural  
 Contacts: Phosphor Bronze  
 Plating: Tin over Copper underplate overall  
 Electrical: Operating voltage: 250 VAC max.  
 Current rating: 3 Amps max.  
 Contact resistance: 10 mohms max. initial  
 Insulation resistance: 1,000 Mohms min.  
 Dielectric withstanding voltage: 1,500 VAC for 1 minute  
 Mechanical: Recommended PCB thickness: 0.063" (1.60mm)  
 Temperature Rating: Operating temperature: -40°C to +105°C  
 Environmental: Lead free, RoHS compliant

UNLESS OTHERWISE SPECIFIED ALL DIMENSIONS ARE INCHES [MM]	
TOLERANCES: EXCEPT AS NOTED	
INCHES	HOLDS
.X ± .10	ØXX ± .10
.XX ± .020	ØXXX ± .015
.XXX ± .015	ØXXXX ± .010
APPROVALS	DATE
DRAWN	SS
CHECKED	
APPROVED	

**ADAM TECH**  
 909 Rahway Avenue, Union, NJ 07083  
 Phone: 908-687-5000 Fax: 908-687-5710

TITLE: .100 [2.54] PCB CONNECTOR BOARD HOOKS, BOTTOM ENTRY

SIZE	PART NO.	REV.
X	PCE-C-XX	-
REF:	SCALE: NTS	SHEET 1 OF 1

