



CD74FCT151T, CD74FCT251T, CD74FCT2151T

December 1996

Fast CMOS 8-Input Multiplexers

Features

- Advanced 0.8 micron CMOS Technology
- These Devices are Pin Compatible with Bipolar FAST™ Series at a Higher Speed and Lower Power Consumption
- 25Ω Series Resistor On All Outputs (FCT2151T Only)
- TTL Input and Output Levels
- Extremely Low Static Power
- Hysteresis on All Inputs

Ordering Information

PART NUMBER	TEMP. RANGE (°C)	PACKAGE	PKG. NO.
CD74FCT151TM	-40 to 85	16 Ld SOIC	M16.3-P
CD74FCT151ATM	-40 to 85	16 Ld SOIC	M16.3-P
CD74FCT151CTM	-40 to 85	16 Ld SOIC	M16.3-P
CD74FCT151TNM	-40 to 85	16 Ld SOIC	M16.15-P
CD74FCT151ATNM	-40 to 85	16 Ld SOIC	M16.15-P
CD74FCT151CTNM	-40 to 85	16 Ld SOIC	M16.15-P
CD74FCT151TQM	-40 to 85	16 Ld QSOP	M16.15A-P
CD74FCT151ATQM	-40 to 85	16 Ld QSOP	M16.15A-P
CD74FCT151CTQM	-40 to 85	16 Ld QSOP	M16.15A-P
CD74FCT251TM	-40 to 85	16 Ld SOIC	M16.3-P
CD74FCT251ATM	-40 to 85	16 Ld SOIC	M16.3-P
CD74FCT251CTM	-40 to 85	16 Ld SOIC	M16.3-P
CD74FCT251TNM	-40 to 85	16 Ld SOIC	M16.15-P
CD74FCT251ATNM	-40 to 85	16 Ld SOIC	M16.15-P
CD74FCT251CTNM	-40 to 85	16 Ld SOIC	M16.15-P
CD74FCT251TQM	-40 to 85	16 Ld QSOP	M16.15A-P
CD74FCT251ATQM	-40 to 85	16 Ld QSOP	M16.15A-P
CD74FCT251CTQM	-40 to 85	16 Ld QSOP	M16.15A-P
CD74FCT2151TM	-40 to 85	16 Ld SOIC	M16.3-P
CD74FCT2151ATM	-40 to 85	16 Ld SOIC	M16.3-P
CD74FCT2151CTM	-40 to 85	16 Ld SOIC	M16.3-P
CD74FCT2151TNM	-40 to 85	16 Ld SOIC	M16.15-P
CD74FCT2151ATNM	-40 to 85	16 Ld SOIC	M16.15-P
CD74FCT2151CTNM	-40 to 85	16 Ld SOIC	M16.15-P
CD74FCT2151TQM	-40 to 85	16 Ld QSOP	M16.15A-P
CD74FCT2151ATQM	-40 to 85	16 Ld QSOP	M16.15A-P

NOTE: QSOP is commonly known as SSOP.

When ordering, use the entire part number. Add the suffix 96 to obtain the variant in the tape and reel.

Description

The CD74FCT151T, CD74FCT251T, and CD74FCT2151T are high-speed 8-input multiplexers. They select one bit from a source of eight under the control of three select inputs. Both assertion and negation outputs are provided.

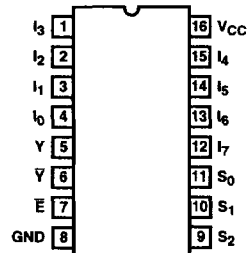
The CD74FCT151T, CD74FCT2151T have a common, active-LOW, Enable input (\bar{E}). When \bar{E} is LOW, data from one of eight inputs is directed to the complementary outputs based on the 3-bit code applied to the Select (S_0 - S_2) inputs. The CD74FCT151T, CD74FCT2151T can be used as a data routing device from one of eight sources.

The CD74FCT251T has a common Active-LOW Output Enable (\bar{OE}) input. When \bar{OE} is LOW, data from one of eight inputs is directed to the complementary outputs. When \bar{OE} is HIGH, both outputs are switched to a high-impedance state allowing multiplexer expansion by tying several outputs together.

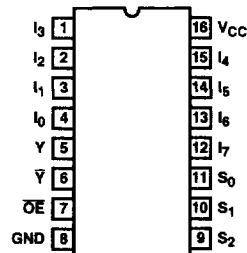
The CD74FCT2151T device has a built-in 25Ω series resistor on all outputs to reduce noise due to reflections, thus eliminating the need for an external terminating resistor.

Pinouts

CD74FCT151, CD74FCT2151T
(QSOP, SOIC)
TOP VIEW



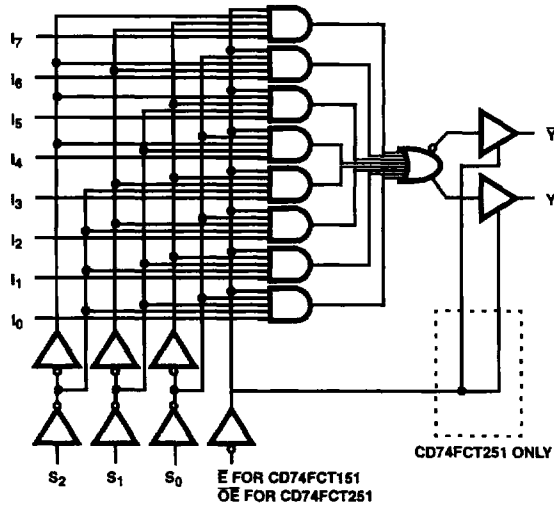
CD74FCT251
(QSOP, SOIC)
TOP VIEW



4
OCTAL 5V FCT
5V FCT 25Ω

CD74FCT151T, CD74FCT251T, CD74FCT2151T

Functional Block Diagram



TRUTH TABLE (NOTE 1)

INPUTS			(NOTE 2) E/OE	OUTPUTS	
S ₂	S ₁	S ₀		Y	Ȳ
X	X	X	H	L (Note 3)	H (Note 3)
X	X	X	H	Z (Note 4)	Z (Note 4)
L	L	L	L	I ₀	Ī ₀
L	L	H	L	I ₁	Ī ₁
L	H	L	L	I ₂	Ī ₂
L	H	H	L	I ₃	Ī ₃
H	L	L	L	I ₄	Ī ₄
H	L	H	L	I ₅	Ī ₅
H	H	L	L	I ₆	Ī ₆
H	H	H	L	I ₇	Ī ₇

NOTES:

1. H = High Voltage Level, L = Low Voltage Level, X = Don't Care
Z = High Impedance.
2. Ē for 151/2151, OĒ for 251.
3. 151/2151 ONLY.
4. 251 ONLY.

Pin Descriptions

PIN NAME	DESCRIPTION
I ₀ -I ₇	Data Inputs
S ₀ -S ₂	Select Inputs
Ē	Enable Input (Active LOW) FCT151/2151T
OĒ	Output Enable (Active LOW) FCT251T
Y	Data Output
Ȳ	Inverted Data Output
GND	Ground
V _{CC}	Power

CD74FCT151T, CD74FCT251T, CD74FCT2151T

Absolute Maximum Ratings

DC Input Voltage -0.5V to 7.0V
 DC Output Current 120mA

Operating Conditions

Operating Temperature Range -40°C to 85°C
 Supply Voltage to Ground Potential
 Inputs and V_{CC} Only -0.5V to 7.0V
 Supply Voltage to Ground Potential
 Outputs and D/O Only -0.5V to 7.0V

Thermal Information

Thermal Resistance (Typical, Note 5) θ_{JA} (°C/W)
 16 Lead SOIC (150 mil) Package 110
 16 Lead SOIC (300 mil) Package 97
 16 Lead QSOP Package 140
 Maximum Junction Temperature 150°C
 Maximum Storage Temperature Range -65°C to 150°C
 Maximum Lead Temperature (Soldering 10s) 300°C
 (Lead Tips Only)

CAUTION: Stresses above those listed in "Absolute Maximum Ratings" may cause permanent damage to the device. This is a stress only rating and operation of the device at these or any other conditions above those indicated in the operational sections of this specification is not implied.

NOTE:

- θ_{JA} is measured with the component mounted on an evaluation PC board in free air.

Electrical Specifications

PARAMETER	SYMBOL	(NOTE 6) TEST CONDITIONS	MIN	(NOTE 7) TYP	MAX	UNITS	
DC ELECTRICAL SPECIFICATIONS Over the Operating Range, T _A = -40°C to 85°C, V _{CC} = 5.0V ±5%							
Output HIGH Voltage	V _{OH}	V _{CC} = Min, V _{IN} = V _{IH} or V _{IL}	I _{OH} = -15.0mA	2.4	3.0	-	V
Output LOW Voltage	V _{OL}	V _{CC} = Min, V _{IN} = V _{IH} or V _{IL}	I _{OL} = 48mA	-	0.3	0.50	V
Output LOW Voltage	V _{OL}	V _{CC} = Min, V _{IN} = V _{IH} or V _{IL}	I _{OL} = 12mA (25Ω series)	-	0.3	0.50	V
Input HIGH Voltage	V _{IH}	Guaranteed Logic HIGH Level		2.0	-	-	V
Input LOW Voltage	V _{IL}	Guaranteed Logic LOW Level		-	-	0.8	V
Input HIGH Current	I _{IH}	V _{CC} = Max	V _{IN} = V _{CC}	-	-	1	μA
Input LOW Current	I _{IL}	V _{CC} = Max	V _{IN} = GND	-	-	-1	μA
High Impedance Output Current	I _{OZH} , I _{OZL}	V _{CC} = Max	V _{OUT} = 2.7V			1	μA
			V _{OUT} = 0.5V			-1	μA
Clamp Diode Voltage	V _{IK}	V _{CC} = Min, I _{IN} = -18mA		-	-0.7	-1.2	V
Short Circuit Current	I _{OS}	V _{CC} = Max (Note 8), V _{OUT} = GND		-60	-120	-	mA
Power Down Disable	I _{OFF}	V _{CC} = GND, V _{OUT} = 4.5V		-	-	100	μA
Input Hysteresis	V _H			-	200	-	mV
CAPACITANCE T _A = 25°C, f = 1MHz							
Input Capacitance (Note 9)	C _{IN}	V _{IN} = 0V		-	6	10	pF
Output Capacitance (Note 9)	C _{OUT}	V _{OUT} = 0V		-	8	12	pF
POWER SUPPLY SPECIFICATIONS							
Quiescent Power Supply Current	I _{CC}	V _{CC} = Max	V _{IN} = GND or V _{CC}	-	0.1	500	μA
Supply Current per In- put at TTL HIGH	ΔI _{CC}	V _{CC} = Max	V _{IN} = 3.4V (Note 10)	-	0.5	2.0	mA
Supply Current per In- put per MHz (Note 11)	I _{CCD}	V _{CC} = Max, Outputs Open E or OE = GND One Bit Toggling 50% Duty Cycle	V _{IN} = V _{CC} V _{IN} = GND	-	0.15	0.25	mA/ MHz
Total Power Supply Current (Note 13)	I _C	V _{CC} = Max, Outputs Open f _i = 10MHz, 50% Duty Cycle E or OE = GND One Bit Toggling	V _{IN} = V _{CC} V _{IN} = GND	-	3.2	6.5 (Note 12)	mA
			V _{IN} = 3.4V V _{IN} = GND	-	3.5	7.5 (Note 12)	

4

OCTAL 5V FCT
5V FCT 25Ω

CD74FCT151T, CD74FCT251T, CD74FCT2151T

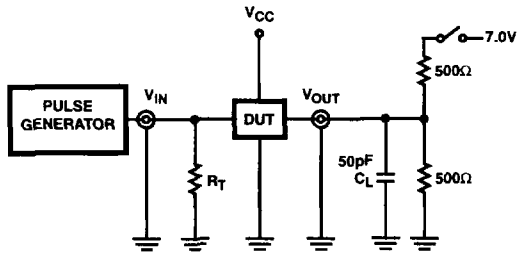
Switching Specifications Over Operating Range

PARAMETER	SYMBOL	(NOTE 14) TEST CONDITIONS	T		AT		CT		UNIT
			(NOTE 15) MIN	MAX	(NOTE 15) MIN	MAX	(NOTE 15) MIN	MAX	
CD74FCT151T, CD74FCT2151T									
Propagation Delay Sn to \bar{Y}	t_{PLH} , t_{PHL}	$C_L = 50pF$ $R_L = 500\Omega$	1.5	9.0	1.5	6.6	1.5	5.6	ns
Propagation Delay Sn to Y	t_{PLH} , t_{PHL}		1.5	10.5	1.5	6.8	1.5	5.8	ns
Propagation Delay \bar{E} to \bar{Y}	t_{PLH} , t_{PHL}		1.5	7.0	1.5	5.6	1.5	4.8	ns
Propagation Delay \bar{E} to Y	t_{PLH} , t_{PHL}		1.5	9.5	1.5	5.8	1.5	5.0	ns
Propagation Delay In to \bar{Y}	t_{PLH} , t_{PHL}		1.5	6.5	1.5	5.2	1.5	4.4	ns
Propagation Delay In to Y	t_{PLH} , t_{PHL}		1.5	7.5	1.5	5.5	1.5	4.7	ns
CD74FCT251T									
Propagation Delay Sn to \bar{Y}	t_{PLH} , t_{PHL}	$C_L = 50pF$ $R_L = 500\Omega$	1.5	9.0	1.5	6.6	1.5	5.6	ns
Propagation Delay Sn to Y	t_{PLH} , t_{PHL}		1.5	11.0	1.5	6.8	1.5	5.8	ns
Propagation Delay In to \bar{Y}	t_{PLH} , t_{PHL}		1.5	7.0	1.5	5.2	1.5	4.4	ns
Propagation Delay In to Y	t_{PLH} , t_{PHL}		1.5	7.0	1.5	5.5	1.5	4.7	ns
Output Enable Time \bar{OE} to \bar{Y}	t_{PZH} , t_{PZL}		1.5	9.0	1.5	6.7	1.5	5.7	ns
Output Disable Time (Note 16) \bar{OE} to \bar{Y}	t_{PHZ} , t_{PLZ}		1.5	7.5	1.5	6.0	1.5	5.0	ns
Output Enable Time \bar{OE} to Y	t_{PZH} , t_{PZL}		1.5	9.0	1.5	6.7	1.5	5.7	ns
Output Disable Time(Note 16) \bar{OE} to Y	t_{PHZ} , t_{PLZ}		1.5	7.0	1.5	6.0	1.5	5.0	ns

NOTES:

6. For conditions show as Max or Min, use appropriate value specified under Electrical Specifications for the applicable device type.
7. Typical values are at $V_{CC} = 5.0V$, $25^\circ C$ ambient and maximum loading.
8. Not more than one output should be shorted at one time. Duration of the test should not exceed one second
9. This parameter is determined by device characterization but is not production tested.
10. Per TTL driven input ($V_{IN} = 3.4V$); all other inputs at V_{CC} or GND.
11. This parameter is not directly testable, but is derived for use in Total Power Supply Calculations.
12. Values for these conditions are examples of the I_{CC} formula. These limits are guaranteed but not tested.
13. $I_C = I_{QUIESCENT} + I_{INPUTS} + I_{DYNAMIC}$
 $I_C = I_{CC} + \Delta I_{CC} D_H N_T + I_{CCD} (f_{CP}/2 + f_i N_i)$
 $I_{CC} =$ Quiescent Current
 $\Delta I_{CC} =$ Power Supply Current for a TTL High Input ($V_{in} = 3.4V$)
 $D_H =$ Duty Cycle for TTL Inputs High
 $N_T =$ Number of TTL Inputs at D_H
 $I_{CCD} =$ Dynamic Current Caused by an Input Transition Pair (HLH or LHL)
 $f_{CP} =$ Clock Frequency for Register Devices (Zero for Non-Register Devices)
 $f_i =$ Input Frequency
 $N_i =$ Number of Inputs at f_i
 All currents are in milliamps and all frequencies are in megahertz.
14. See test circuit and wave forms.
15. Minimum limits are guaranteed but not tested on Propagation Delays.
16. This parameter is guaranteed but not production tested.

Test Circuits and Waveforms



SWITCH POSITION	
TEST	SWITCH
t_{PLZ} , t_{PZL}	Closed
t_{PHZ} , t_{PZH} , t_{PLH} , t_{PHL}	Open

DEFINITIONS:

C_L = Load capacitance, includes jig and probe capacitance.

R_T = Termination resistance, should be equal to Z_{OUT} of the Pulse Generator.

NOTE:

17. Pulse Generator for All Pulses: Rate \leq 1.0MHz; $Z_{OUT} \leq 50\Omega$;
 t_f , $t_r \leq 2.5ns$.

FIGURE 1. TEST CIRCUIT

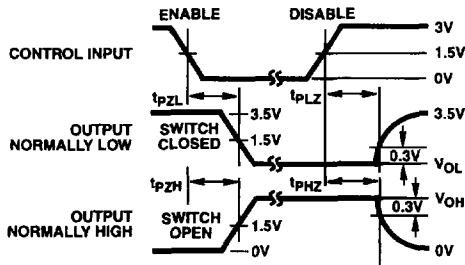


FIGURE 2. ENABLE AND DISABLE TIMING

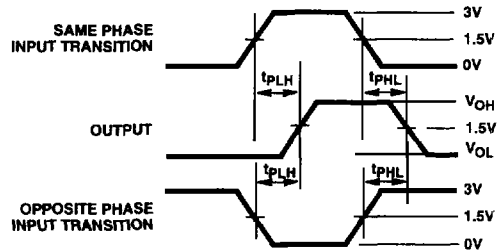


FIGURE 3. PROPAGATION DELAY