

ZONE	REV	ECN NUMBER	DESCRIPTION	BY	DATE	APPROVED
SHT1 C7	D	DCOY-A2DKPQ.VER01	REMOVED N AND Z OPTIONS FROM POL GUIDE TABLE.	HCL-NB	10/16/2015	D.COVEY
SHT1 C4			REMOVED ROLLED GUIDE PIN OPTION IN PIN STYLE TABLE.			
SHT1. B8	E	DCOY-AB4NPZ.VER01	UPDATED PART MARKING REQUIREMENTS	HCL-DC	06/22/2016	D.COVEY
SHT1	F	JN11-19082209	ADDED PLATING OPTION "R" AND "U" TO P/N TREE	HCL-SG	09/04/2019	J.NI

NOTE: ONLY THREE MOST RECENT RELEASED REVISIONS DISPLAYED.

XCede HD BACKPLANE MODULE MALE STANDARD LOAD

9 2 3 - 4 X 0 J - X X X

4 PAIR 4-POSITION

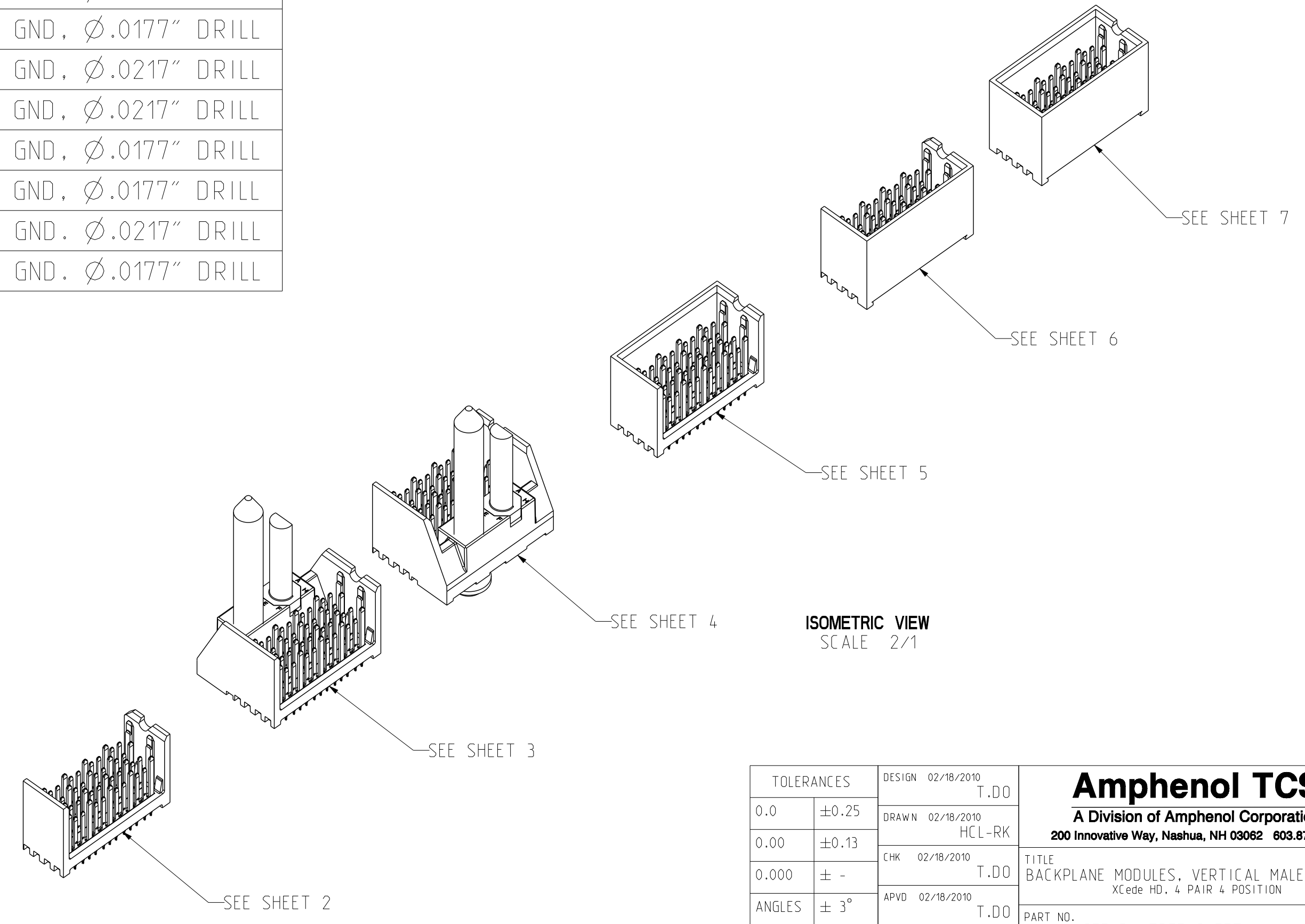
	LETTER									
LEFT POLARIZING GUIDANCE (SEE SHEET 3)	J (NO KEY)	A	B	C	D	E	F	G	H	
RIGHT POLARIZING GUIDANCE (SEE SHEET 4)	Y (NO KEY)	P	Q	R	S	T	U	V	W	
OPEN (SEE SHEET 2)	O (ZERO)									
LEFT WALL (SEE SHEET 5)	L									
RIGHT WALL (SEE SHEET 6)	M									
TWO WALL (SEE SHEET 7)	1									

NUMBER	PIN STYLE, HEIGHT
0	GUIDE PIN MACHINED, 28.5mm / OPEN MODULE

NUMBER	SIGNAL & LG. GROUND WIPE LENGTH, COMPLIANT PIN SIZE
1	2 mm WIPE SIGNAL, 4 mm WIPE LG GND, Ø.0217" DRILL
2	3 mm WIPE SIGNAL, 4 mm WIPE LG GND, Ø.0217" DRILL
3	2 mm WIPE SIGNAL, 4 mm WIPE LG GND, Ø.0177" DRILL
4	3 mm WIPE SIGNAL, 4 mm WIPE LG GND, Ø.0177" DRILL
5	2 mm WIPE SIGNAL, 3 mm WIPE LG GND, Ø.0217" DRILL
6	3 mm WIPE SIGNAL, 3 mm WIPE LG GND, Ø.0217" DRILL
7	2 mm WIPE SIGNAL, 3 mm WIPE LG GND, Ø.0177" DRILL
8	3 mm WIPE SIGNAL, 3 mm WIPE LG GND, Ø.0177" DRILL
C	2 mm WIPE SIGNAL, 2 mm WIPE LG GND, Ø.0217" DRILL
D	2 mm WIPE SIGNAL, 2 mm WIPE LG GND, Ø.0177" DRILL

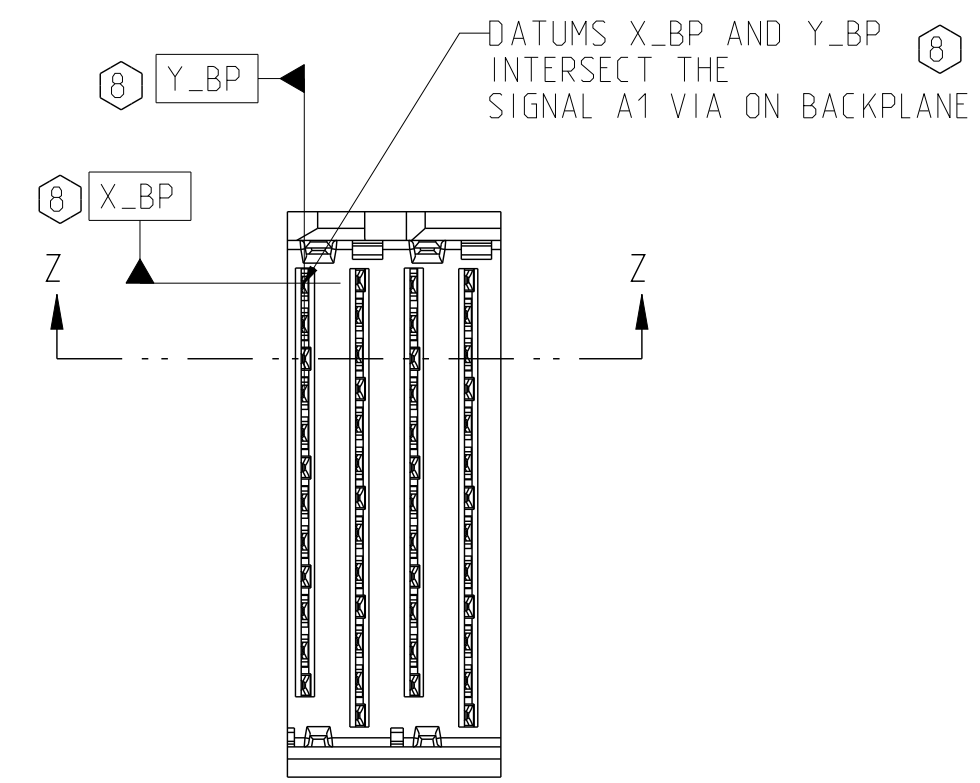
LETTER	PLATING
B	NI SULFAMATE, STANDARD GOLD, LEADED
C	NI SULFAMATE, HIGH GOLD, LEADED
D	NI SULFAMATE, STANDARD GOLD, LEADFREE
E	NI SULFAMATE, HIGH GOLD, LEADFREE
F	NANO NI, STANDARD GOLD, LEADED
G	NANO NI, HIGH GOLD, LEADED
H	NANO NI, STANDARD GOLD, LEADFREE
J	NANO NI, HIGH GOLD, LEADFREE
R	NANO NI BILAYER, STANDARD GOLD, LEADFREE
U	NANO NI BILAYER, HIGH GOLD, LEADFREE

- NOTES:
- REFER TO TB-2308 FOR XCede HD PRODUCT SPECIFICATIONS.
 - NOTCH DESIGNATES "ROW A" SIDE OF SHROUD. NOTCH FEATURE ON OPPOSITE SIDE FROM PART MARKING.
 - SEE TB-2325 FOR PART MARKING REQUIREMENTS.
 - PLATING THICKNESS OF SIGNAL CONTACT AND GROUND CONTACT IS DETERMINED BY PLATING CODE. SEE PART NUMBER TREE SHEET 1.
 - REPAIR PROCEDURE FOR MODULE. SEE TB-2245.
 - SEE TB-2237 FOR ROUTING GUIDELINES & PTH REQ'S.
 - SEE DOC XXXX-XXXX-XXX FOR TOOLING KEEPOUT ZONES.
 - BACKPLANE DATUM REFERENCE.
 - DIMENSIONS APPLY FOR BOTH COMPLIANT PIN SIZES.
 - OPTIONAL HOLE/MOUNTING SCREW LOCATION FOR GROUNDED PIN OR ADDITIONAL GUIDE PIN SUPPORT. ONLY APPLIES FOR MACHINED GUIDE PIN APPLICATIONS.

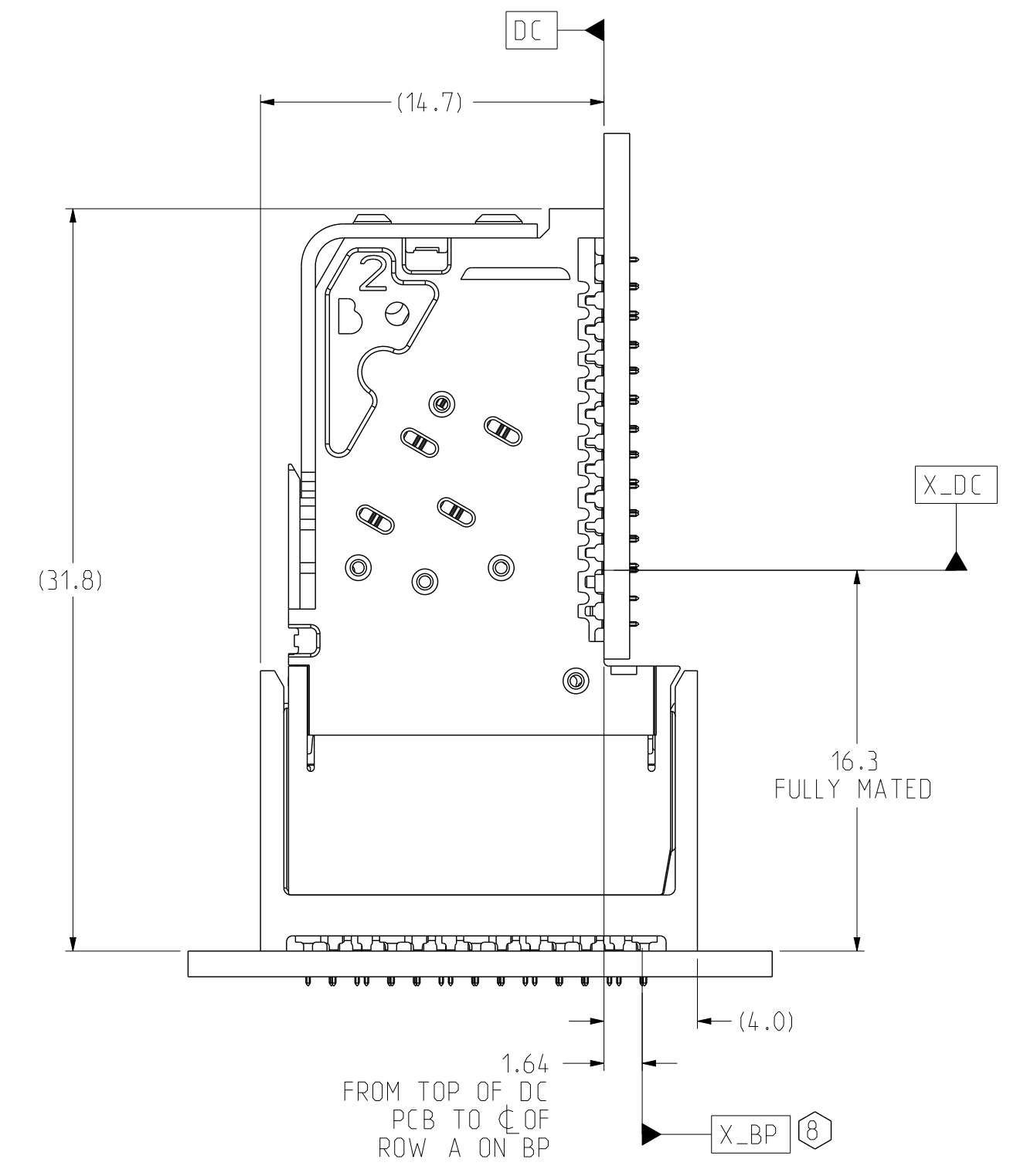


<p>INTERPRET PER ASME Y14.5M CODE IDENT 31413</p>	<p>CUSTOMER USE DRAWING</p>	<p>UNLESS OTHERWISE SPECIFIED DIMENSIONS ARE IN MM. DECIMAL MARKER IS A PERIOD.</p>	
		<p>TOLERANCES</p> <p>0.0 ±0.25</p> <p>0.00 ±0.13</p> <p>0.000 ± -</p> <p>ANGLES ± 3°</p>	<p>DESIGN 02/18/2010 T.DO</p> <p>DRAWN 02/18/2010 HCL-RK</p> <p>CHK 02/18/2010 T.DO</p> <p>APVD 02/18/2010 T.DO</p>
<p>Amphenol TCS A Division of Amphenol Corporation 200 Innovative Way, Nashua, NH 03062 603.879.3000</p>		<p>TITLE BACKPLANE MODULES, VERTICAL MALE HEADER XCede HD, 4 PAIR 4 POSITION</p>	<p>PART NO. SEE PN TREE SHEET 1</p>
<p>DRAWING NO. C-923-400J-500</p>		<p>ASSEM C923-400J-500 DRAWING C923-400J-500</p>	<p>REV N/A</p> <p>REV F</p> <p>1.2 A.11</p>
SIZE D	SCALE 1/1	SHEET 1 OF 8	

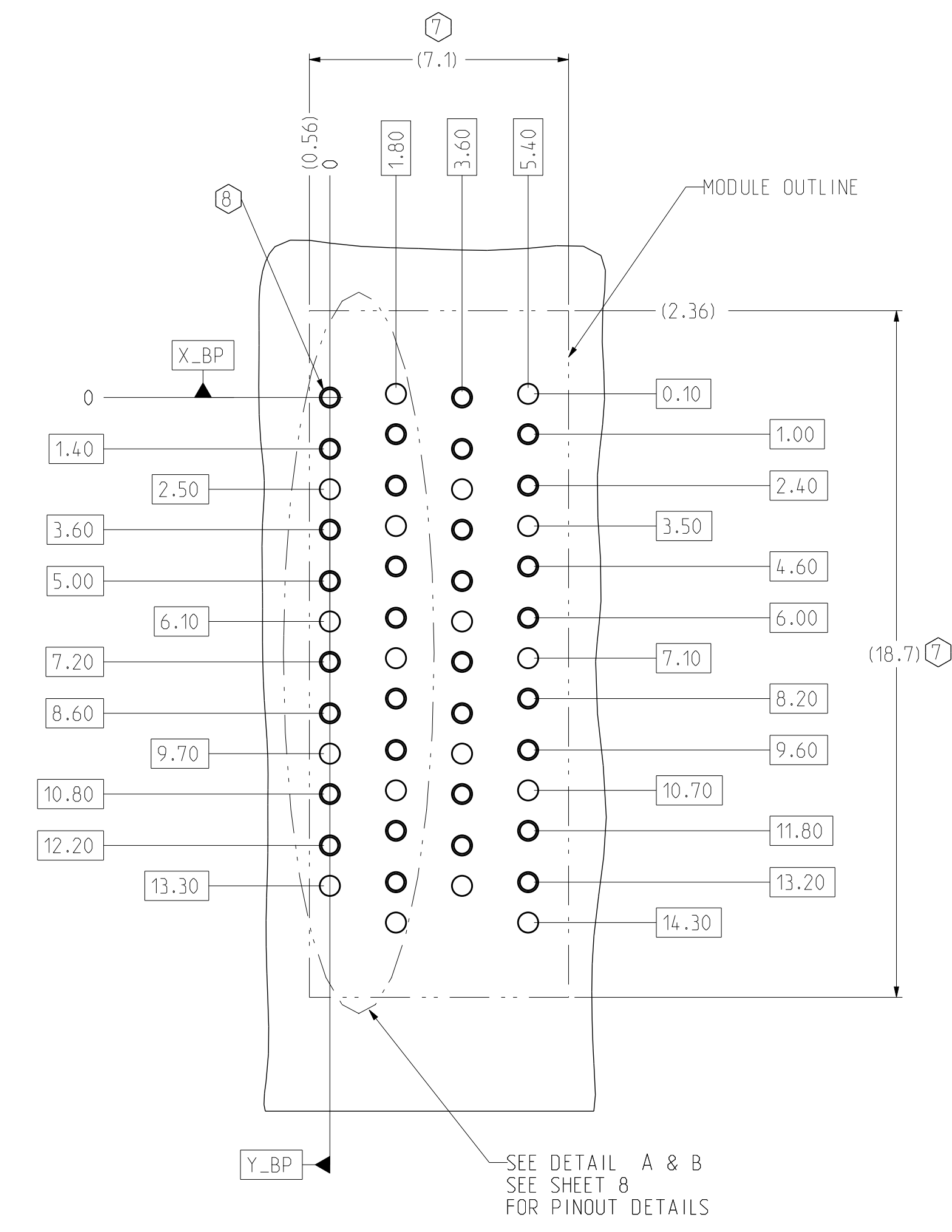
ZONE	REV	ECN NUMBER	DESCRIPTION	BY	DATE	APPROVED
			SEE SHEET 1			



OPEN BACKPLANE MODULE DIMENSION

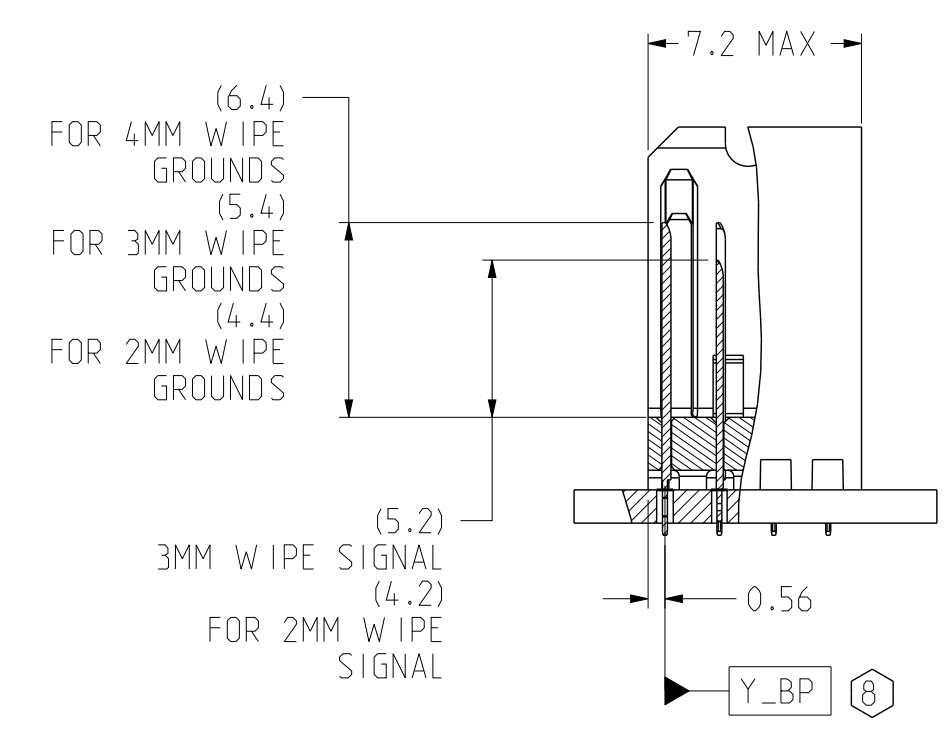


CONNECTOR REFERENCE
SCALE 4/1

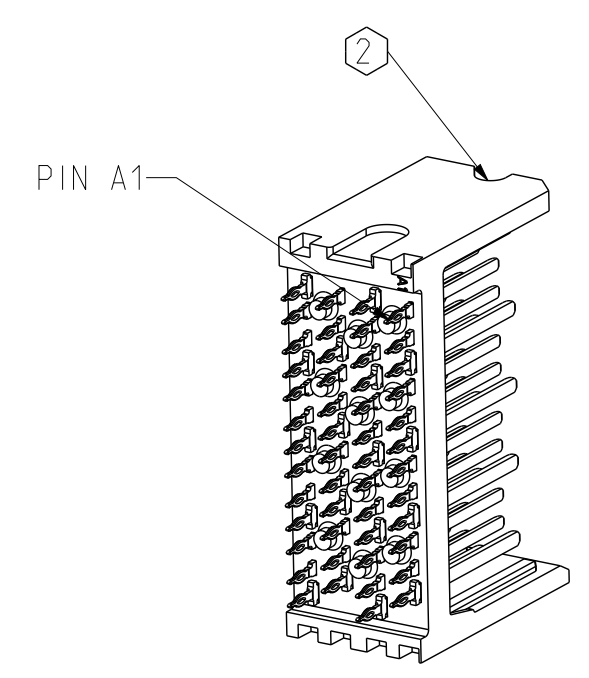
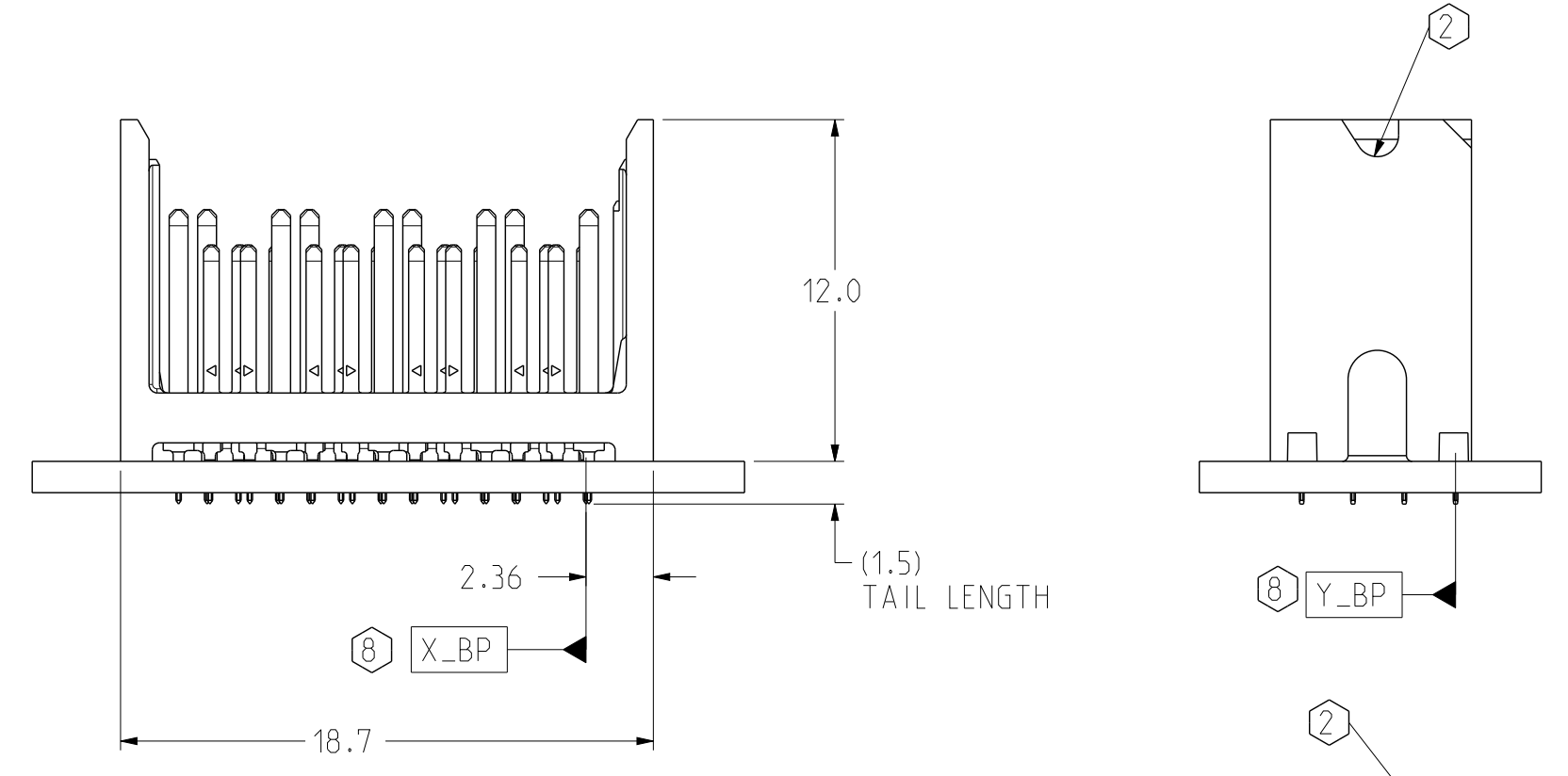


BP HOLE PATTERN
COMPONENT SIDE
SCALE 8/1

OPEN BACKPLANE FOOTPRINT



SECTION Z-Z



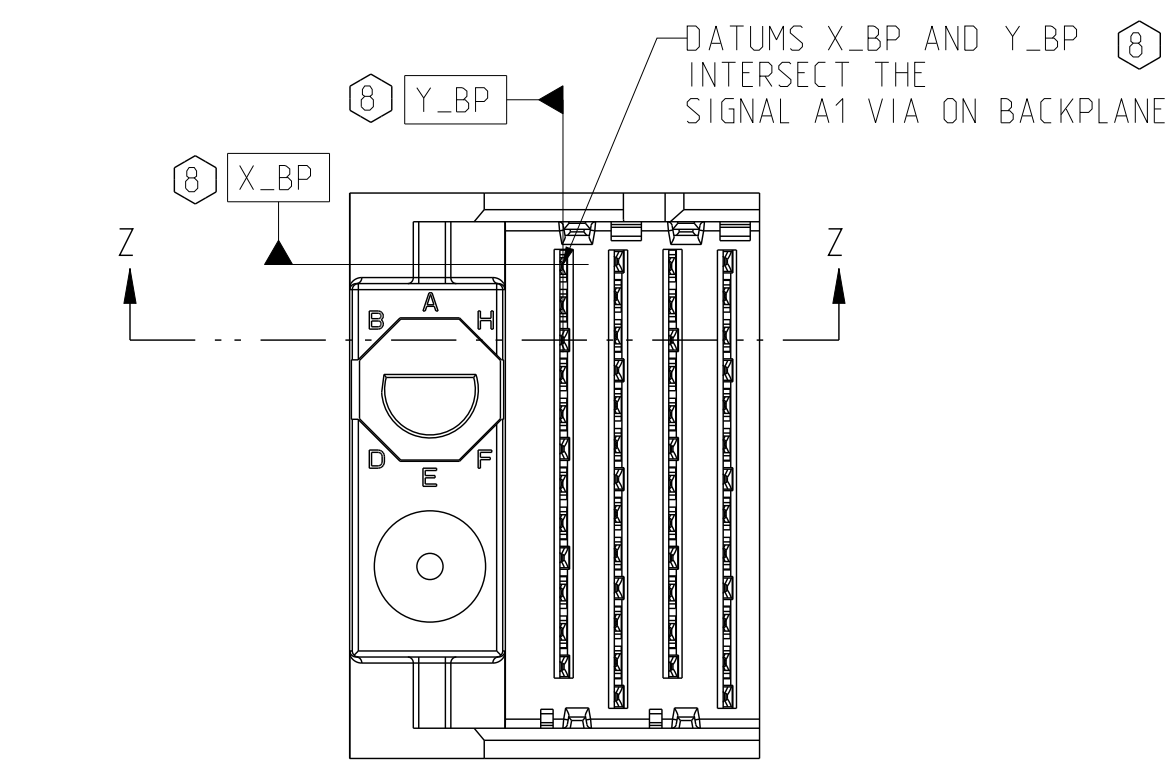
ISOMETRIC VIEW
SCALE 3/1

TOLERANCES		DESIGN 02/18/2010	Amphenol TCS	
0.0	± 0.25	T.D.O	A Division of Amphenol Corporation	
0.00	± 0.13	HCL-RK	200 Innovative Way, Nashua, NH 03062 603.879.3000	
0.000	$\pm -$	T.D.O	TITLE BACKPLANE MODULES, VERTICAL MALE HEADER	
ANGLES	$\pm 3^\circ$	T.D.O	XCede HD, 4 PAIR 4 POSITION	
UNLESS OTHERWISE SPECIFIED DIMENSIONS ARE IN MM. DECIMAL MARKER IS A PERIOD		PART NO. SEE PN TREE SHEET 1		REV N/A
		DRAWING NO. C-923-400J-500		REV F
		ASSEM: C923-400J-500		1.2
		DRAWING: C923-400J-500		A.11
SIZE D	SCALE 1/1	SHEET 2 OF 8		

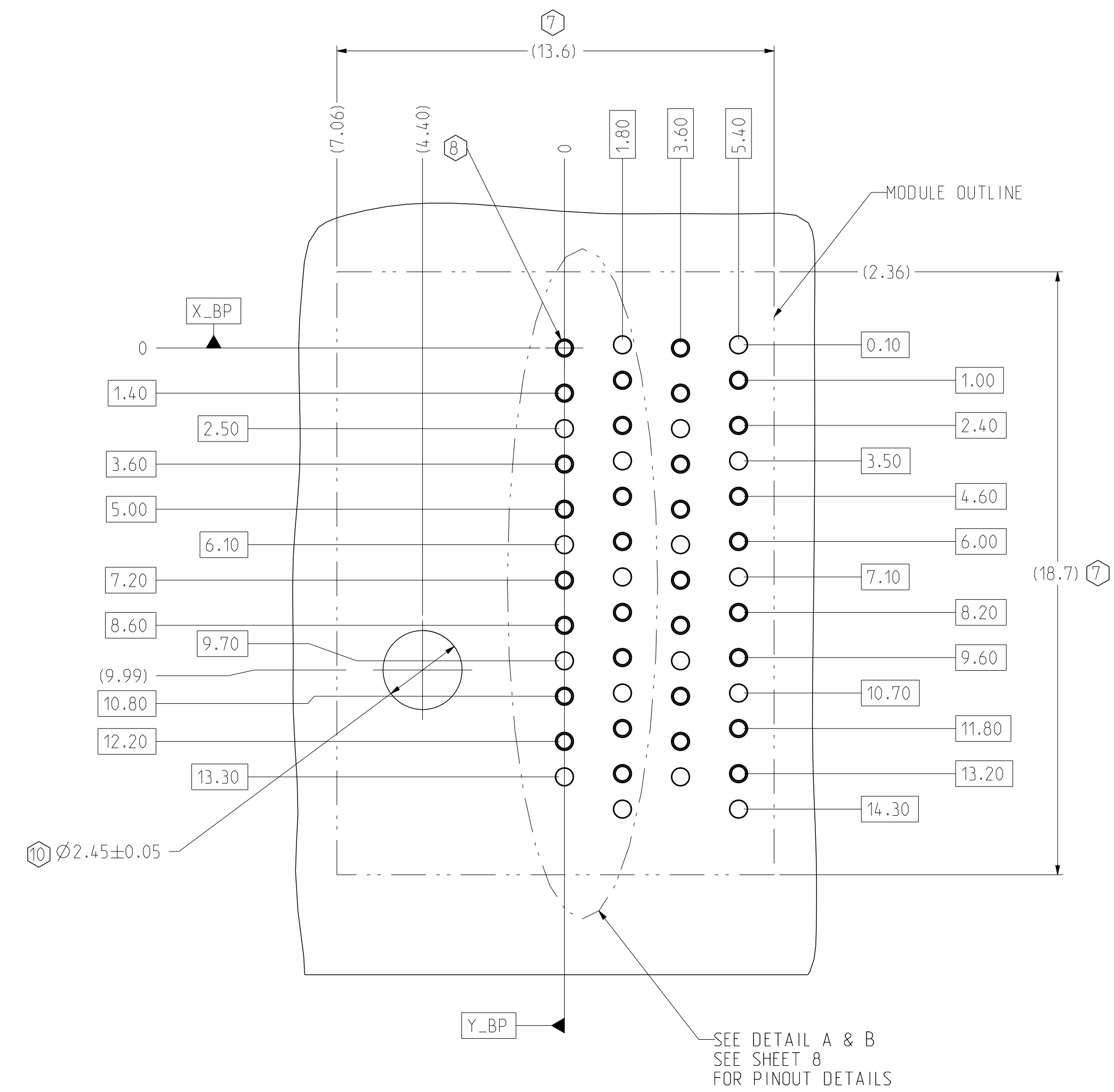
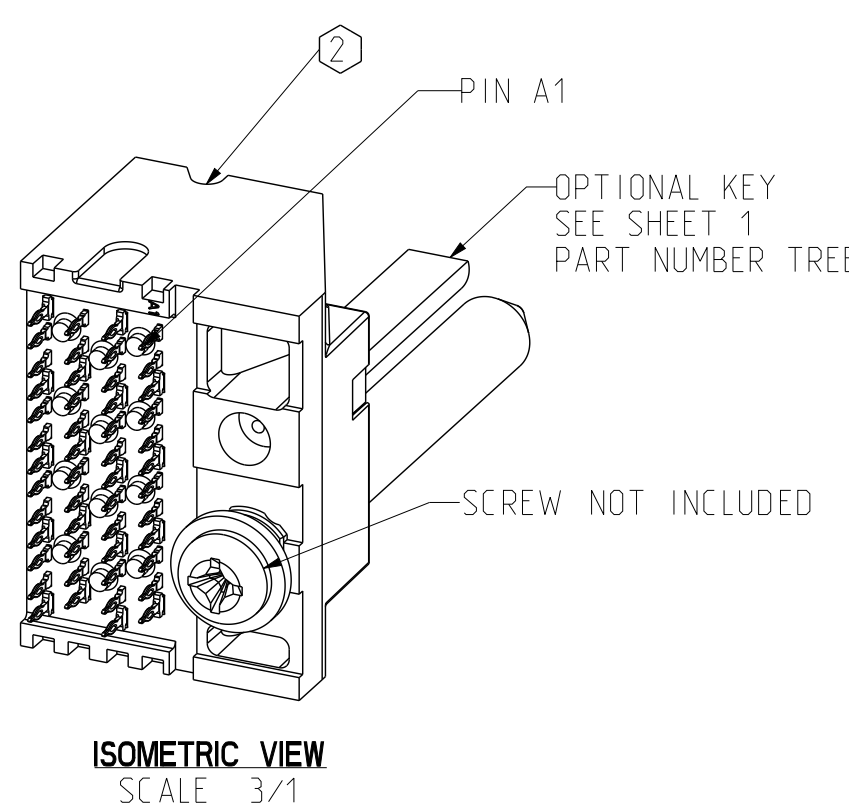
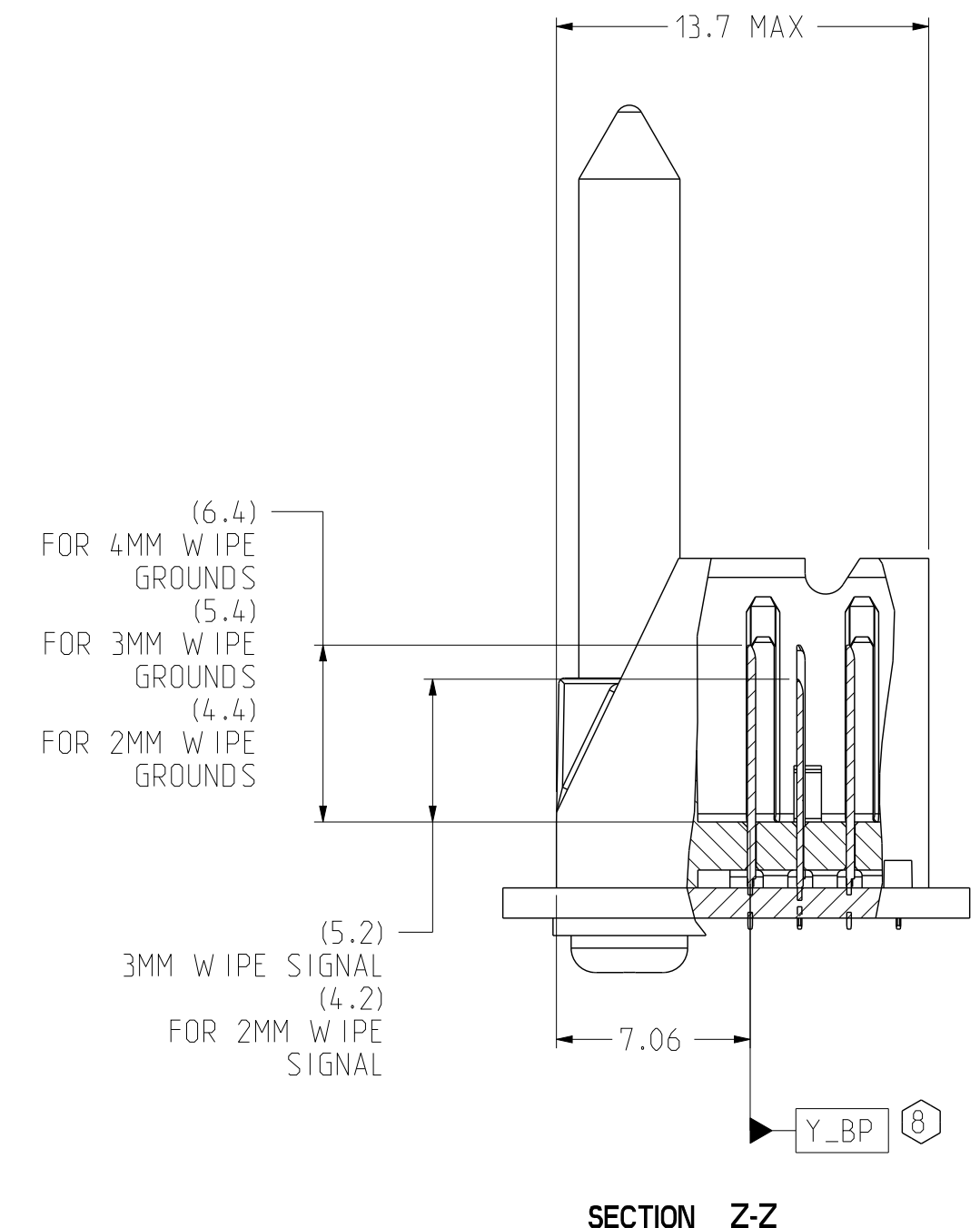
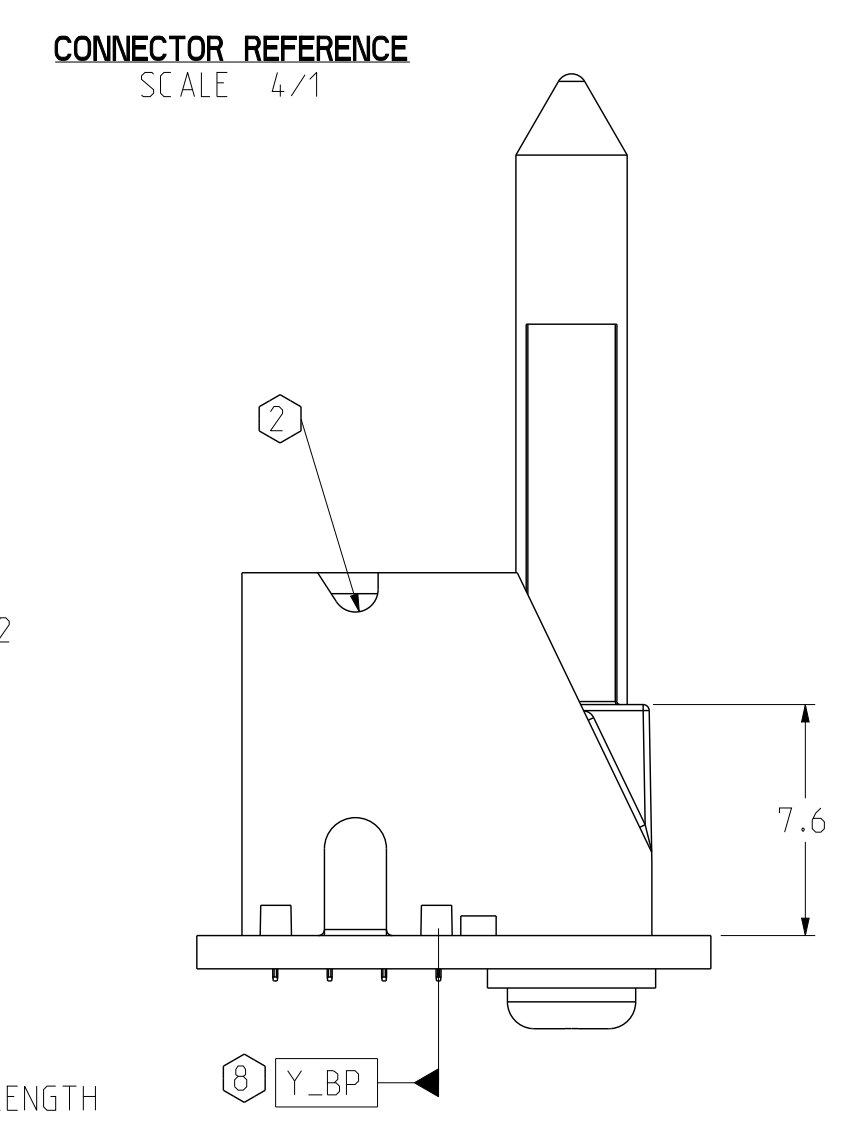
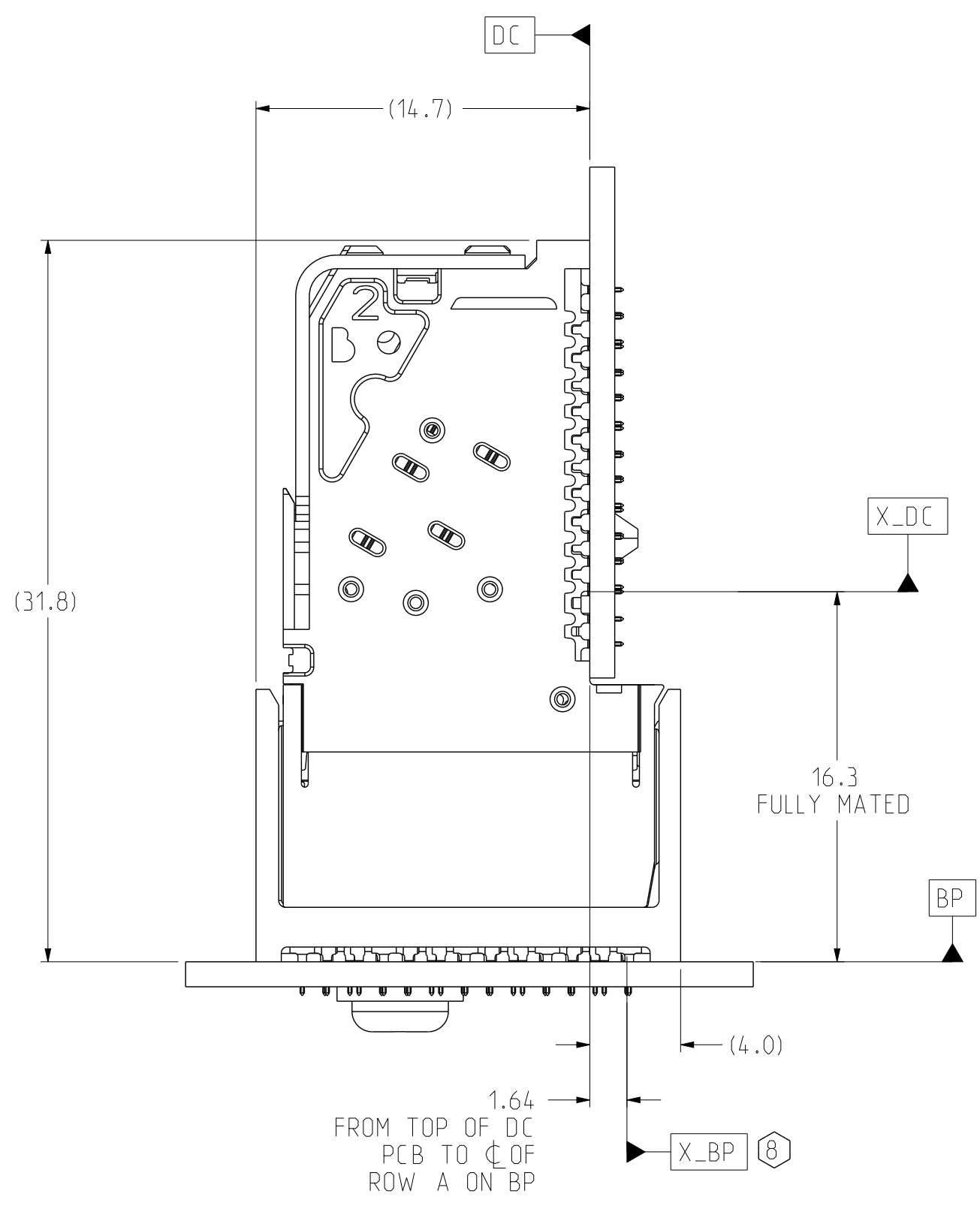
INTERPRET PER ASME Y14.5M
CODE IDENT 31413

CUSTOMER USE
DRAWING

ZONE	REV	ECN NUMBER	DESCRIPTION	BY	DATE	APPROVED
			SEE SHEET 1			



LEFT POLARIZING/GUIDE BACKPLANE MODULE DIMENSION



LEFT POLARIZING/GUIDE BACKPLANE FOOTPRINT

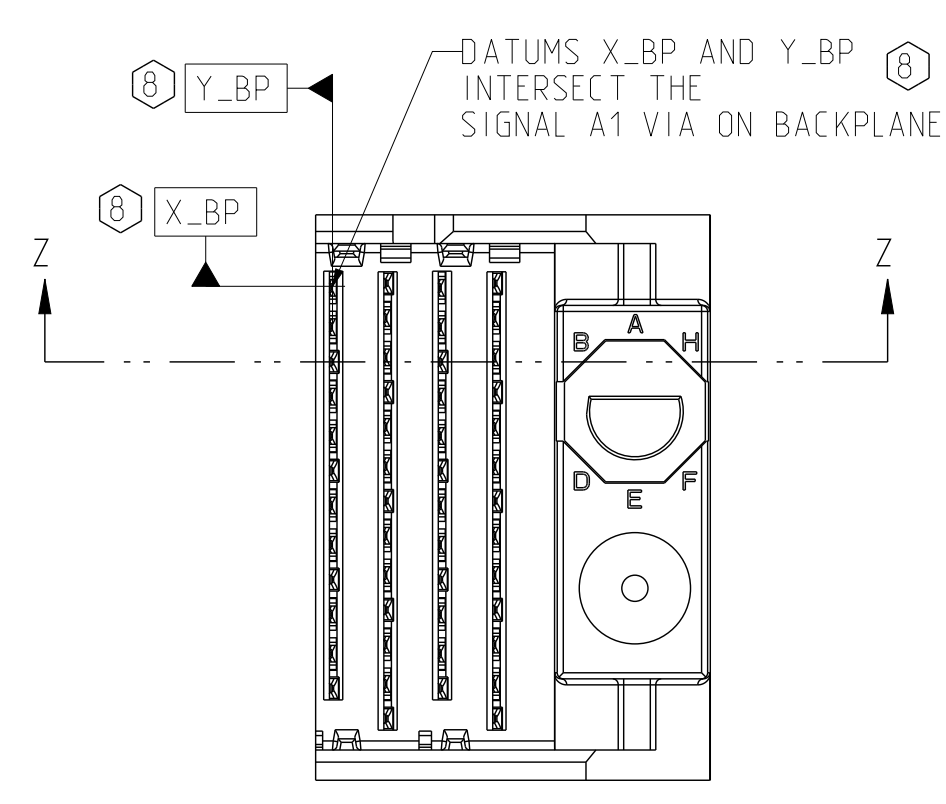
TOLERANCES		DESIGN 02/18/2010 T.D.O	Amphenol TCS A Division of Amphenol Corporation 200 Innovative Way, Nashua, NH 03062 603.879.3000 TITLE BACKPLANE MODULES, VERTICAL MALE HEADER Xcete HD, 4 PAIR 4 POSITION PART NO. SEE PN TREE SHEET 1 DRAWING NO. C-923-400J-500 ASSEM C923-400J-500 DRAWING: C923-400J-500 SIZE D SCALE 1/1 SHEET 3 OF 8
0.0	±0.25	DRAWN 02/18/2010 HCL-RK	
0.00	±0.13	CHK 02/18/2010 T.D.O	
0.000	± -	APVD 02/18/2010 T.D.O	
ANGLES ± 3°		UNLESS OTHERWISE SPECIFIED DIMENSIONS ARE IN MM. DECIMAL MARKER IS A PERIOD	

INTERPRET PER ASME Y14.5M
CODE IDENT 31413

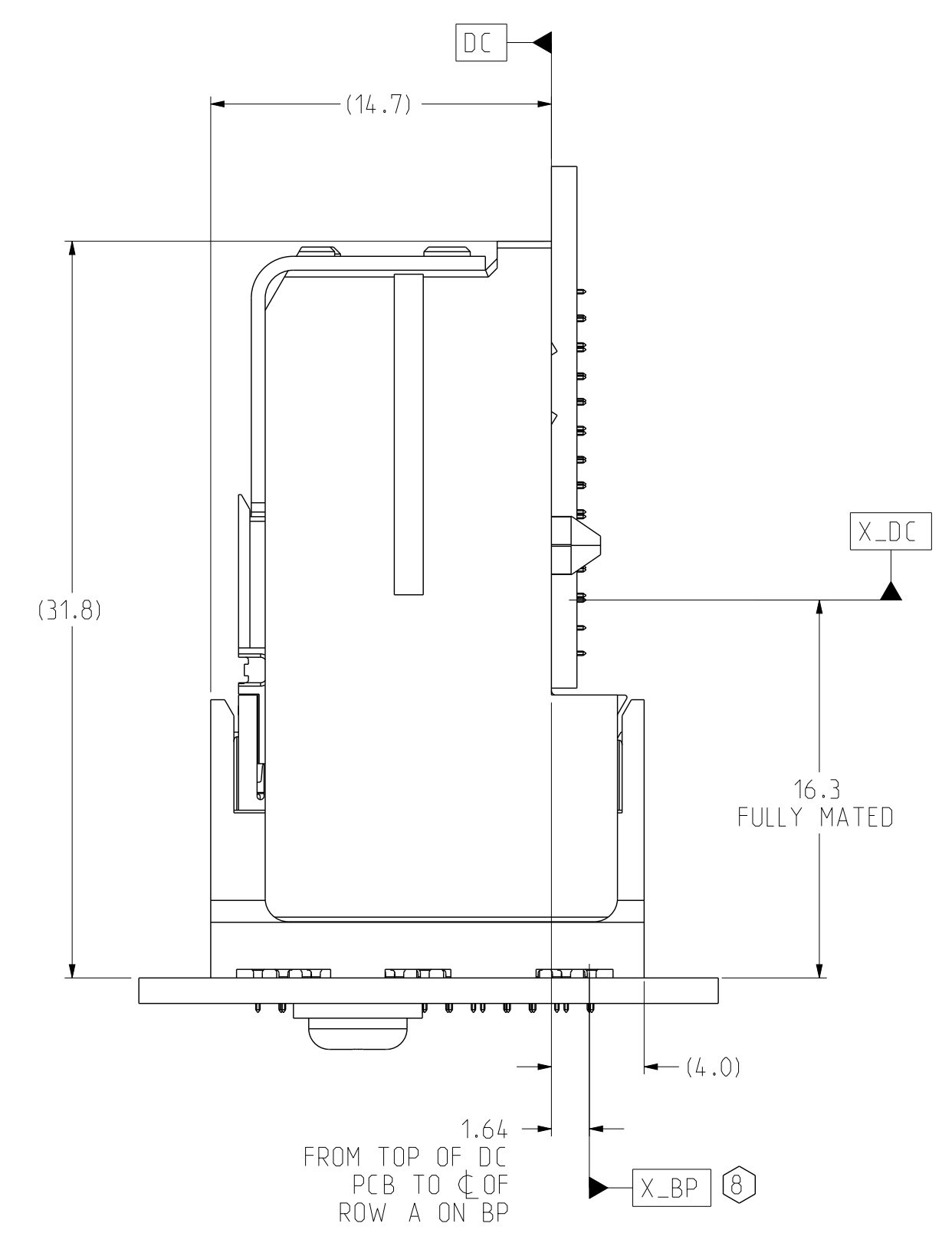
CUSTOMER USE DRAWING

REV N/A
REV F
1.2 A.11

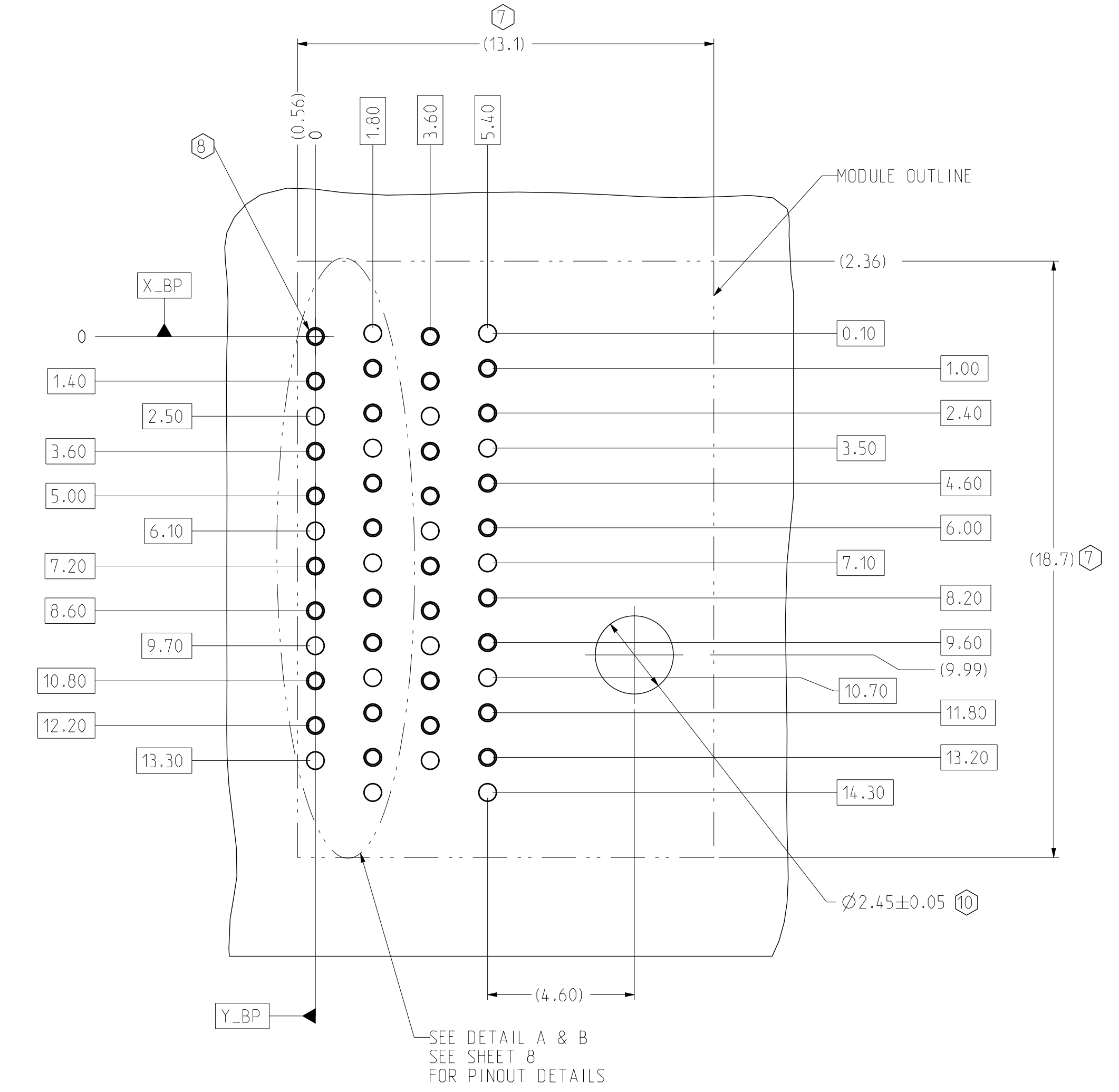
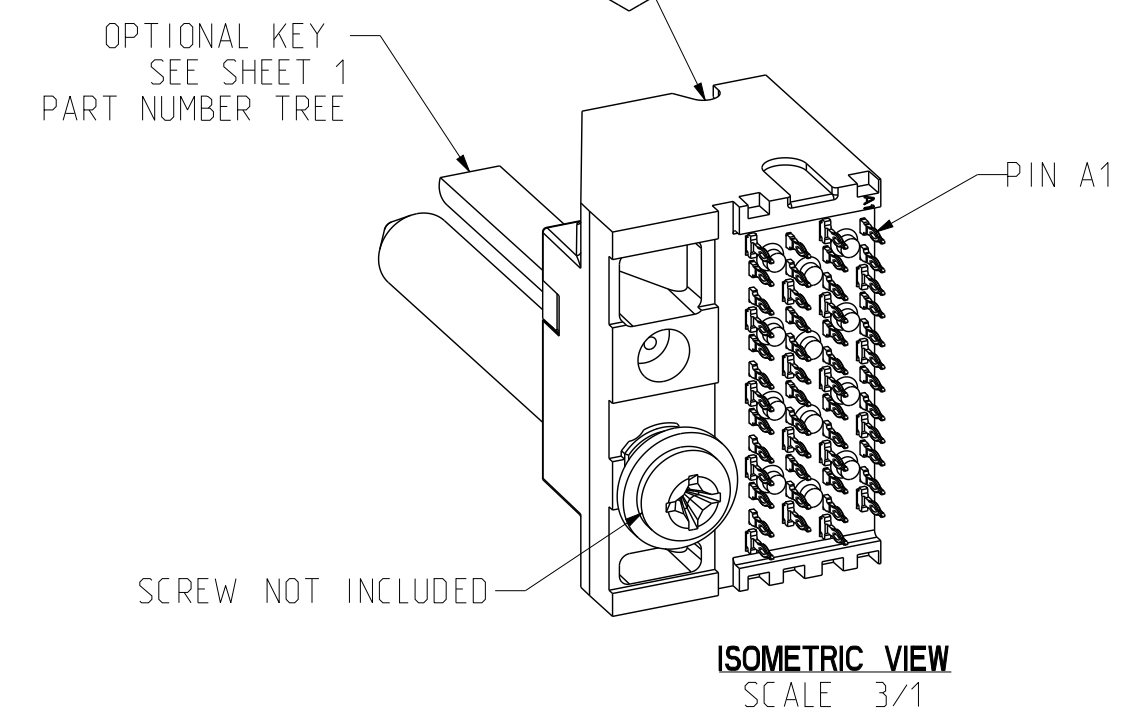
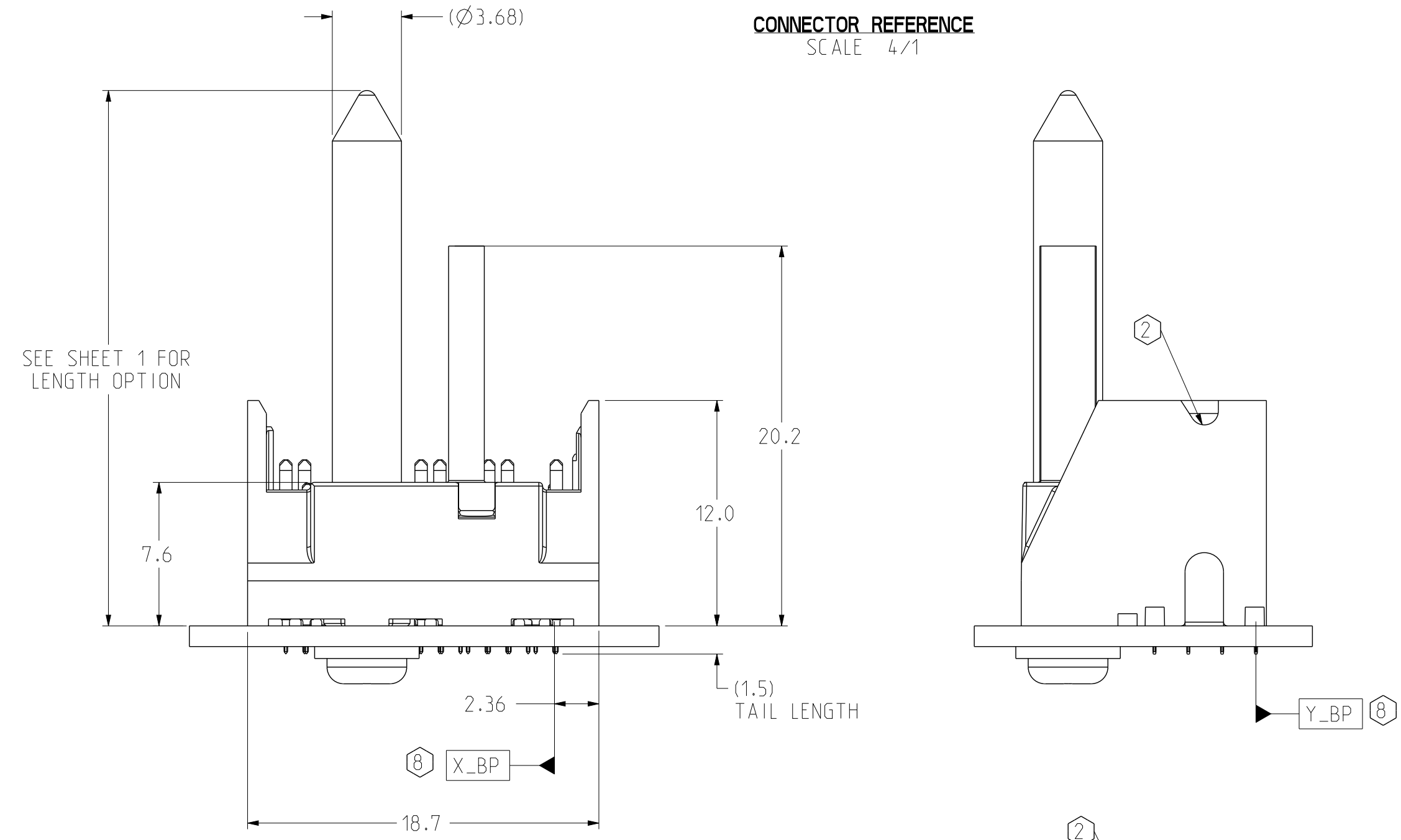
ZONE	REV	ECN NUMBER	DESCRIPTION	BY	DATE	APPROVED
			SEE SHEET 1			



RIGHT POLARIZING/GUIDE BACKPLANE MODULE DIMENSION



CONNECTOR REFERENCE SCALE 4/1



BP HOLE PATTERN COMPONENT SIDE SCALE 8/1

RIGHT POLARIZING/GUIDE BACKPLANE FOOTPRINT

TOLERANCES	DESIGN	02/18/2010
0.0	\pm 0.25	T.DO
0.00	\pm 0.13	HCL-RK
0.000	\pm -	T.DO
ANGLES	\pm 3°	APVD 02/18/2010

Amphenol TCS
A Division of Amphenol Corporation
200 Innovative Way, Nashua, NH 03082 603.879.3000

TITLE	BACKPLANE MODULES, VERTICAL MALE HEADER XCede HD, 4 PAIR 4 POSITION
PART NO.	SEE PN TREE SHEET 1
DRAWING NO.	C-923-400J-500
ASSEMBLY	ASSEM C923-400J-500
DRAWING	DRAWING C923-400J-500
SIZE	D
SCALE	1/1
SHEET	4 OF 8

UNLESS OTHERWISE SPECIFIED DIMENSIONS ARE IN MM. DECIMAL MARKER IS A PERIOD

INTERPRET PER ASME Y14.5M

CODE IDENT 31413

CUSTOMER USE DRAWING

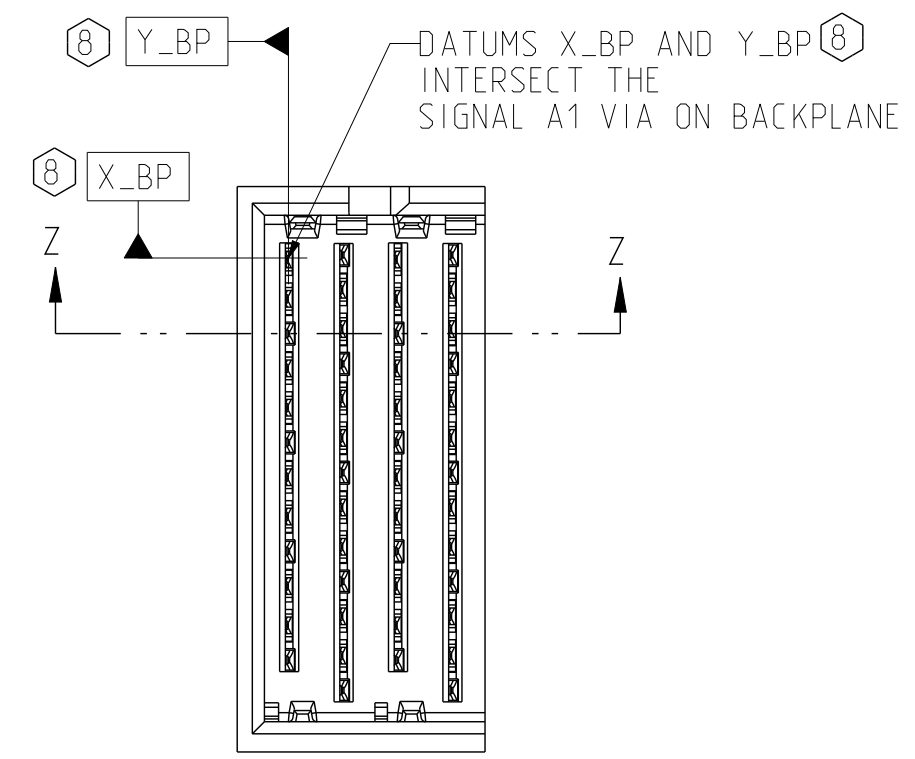
REV N/A

REV F

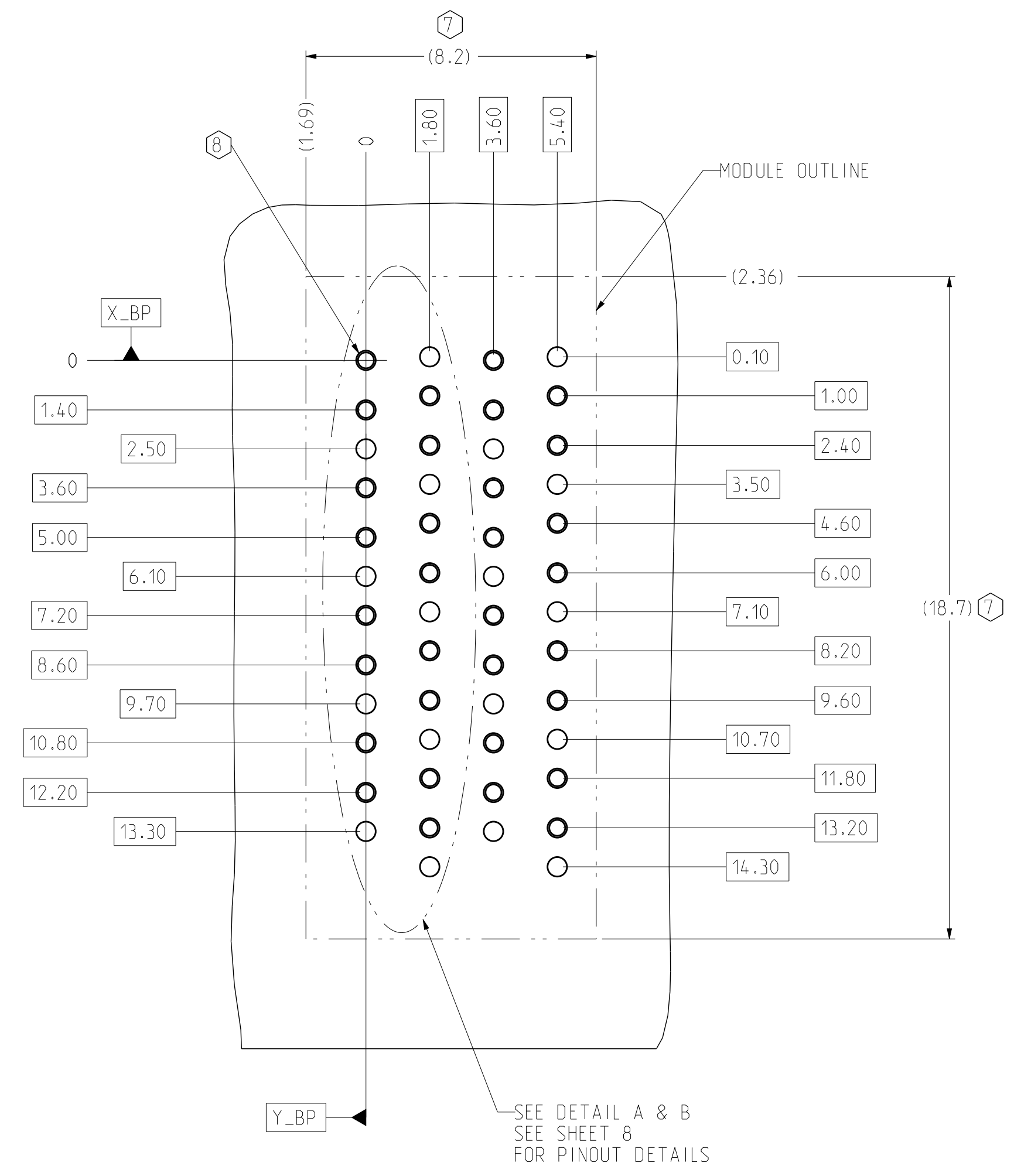
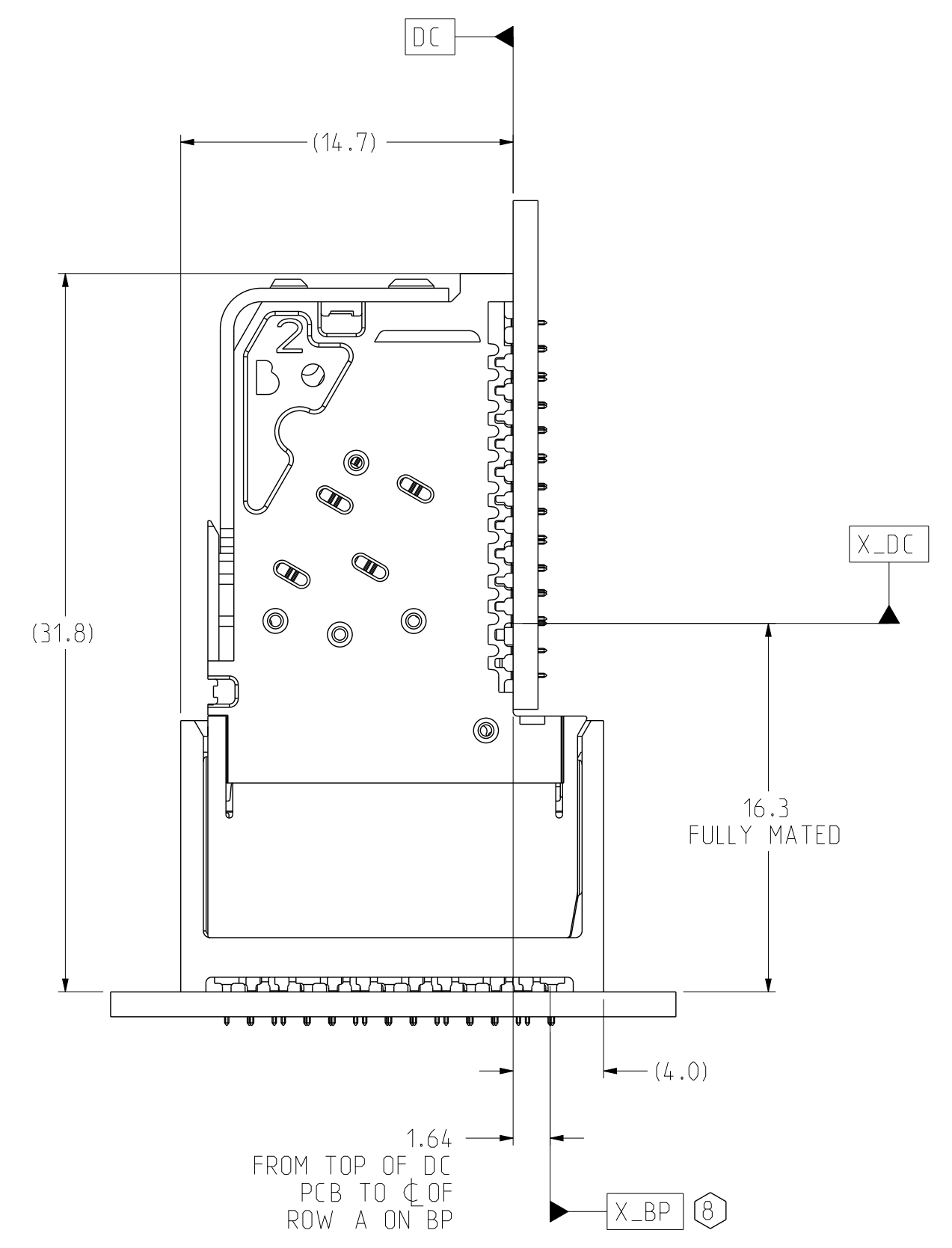
1.2

A.11

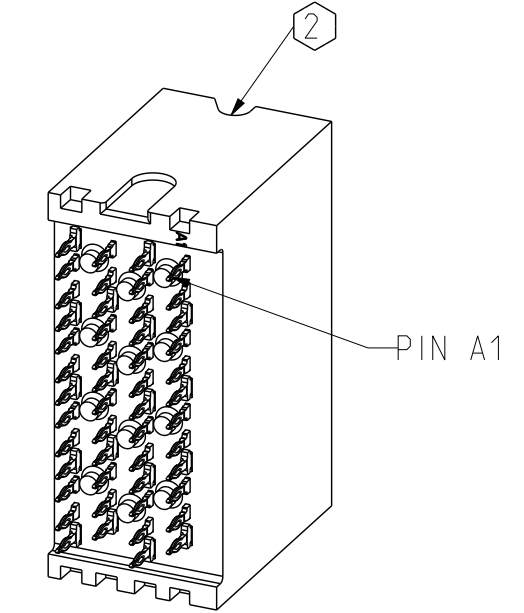
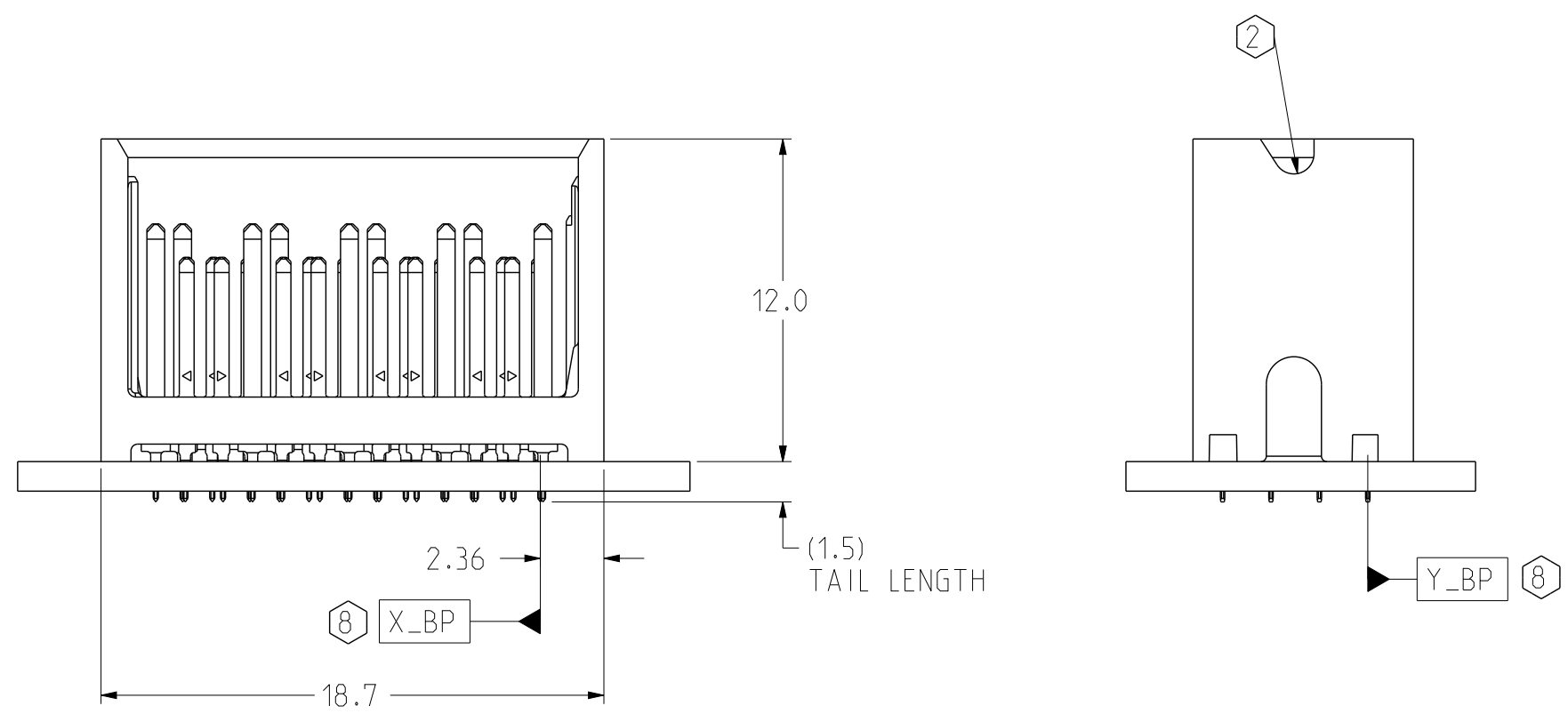
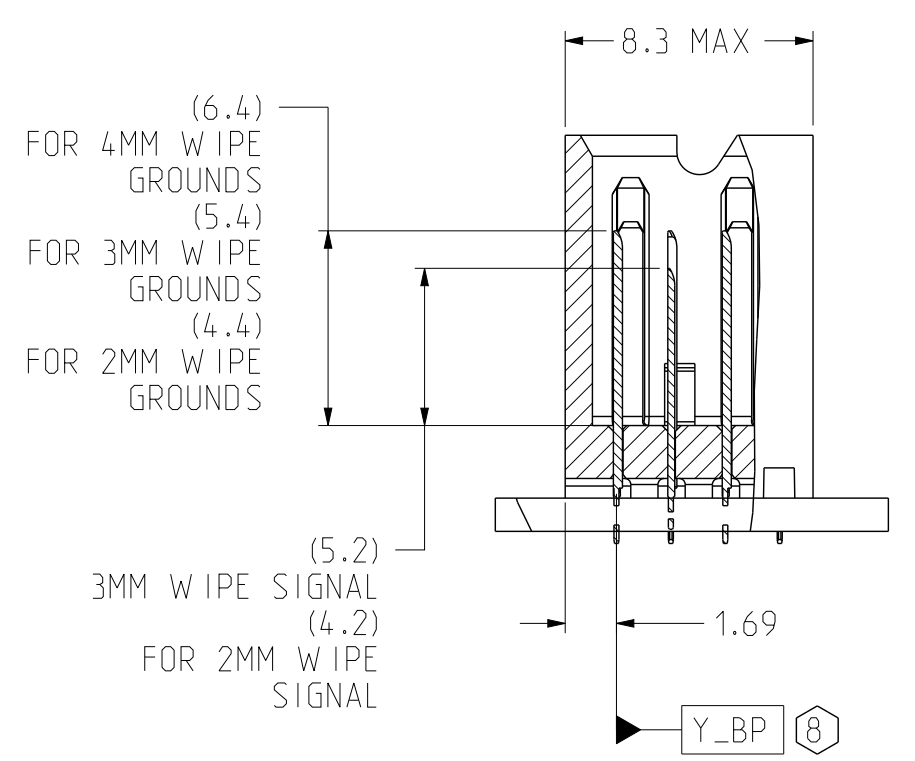
ZONE	REV	ECN NUMBER	DESCRIPTION	BY	DATE	APPROVED
			SEE SHEET 1			



LEFT WALL BACKPLANE MODULE DIMENSION



LEFT WALL BACKPLANE FOOTPRINT



TOLERANCES		DESIGN 02/18/2010	Amphenol TCS	
0.0	±0.25	T.DO	A Division of Amphenol Corporation	
0.00	±0.13	HCL-RK	200 Innovative Way, Nashua, NH 03062 603.879.3000	
0.000	± -	T.DO	TITLE BACKPLANE MODULES, VERTICAL MALE HEADER	
ANGLES	± 3°	APVD 02/18/2010	XCede HD, 4 PAIR 4 POSITION	
UNLESS OTHERWISE SPECIFIED DIMENSIONS ARE IN MM. DECIMAL MARKER IS A PERIOD			PART NO.	SEE PN TREE SHEET 1
INTERPRET PER ASME Y14.5M			DRAWING NO.	C-923-400J-500
CODE IDENT 31413			ASSEMBLY	C-923-400J-500
			DRAWING	C-923-400J-500
SIZE D	SCALE 1/1	SHEET 5 OF 8		

CUSTOMER USE
DRAWING

8

7

6

5

4

3

8

7

6

5

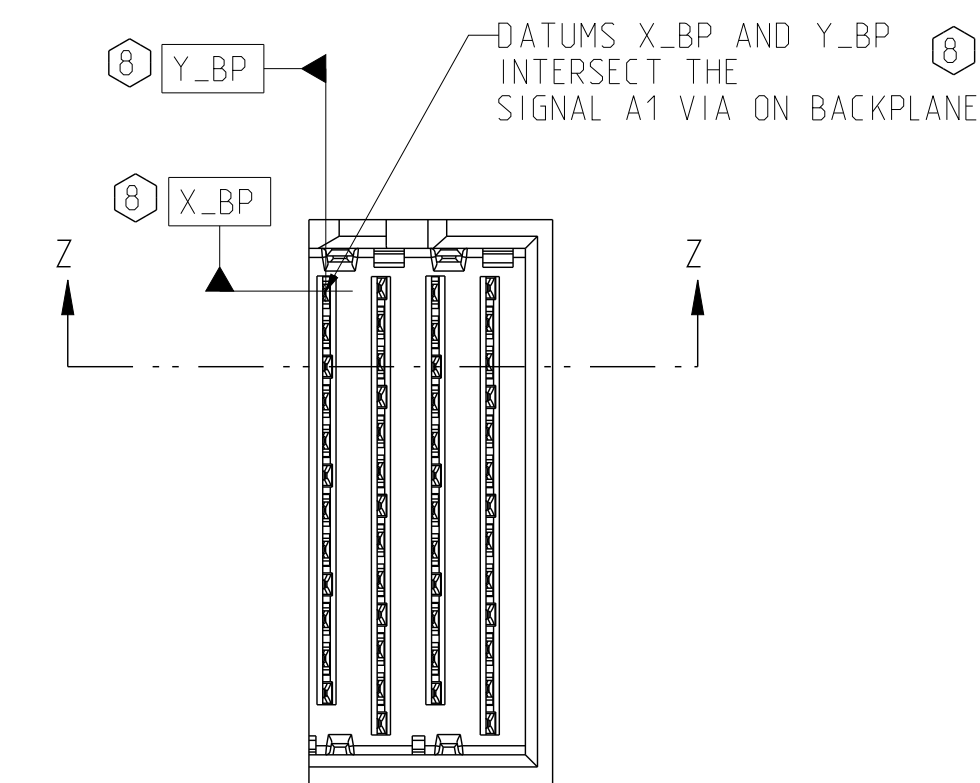
4

3

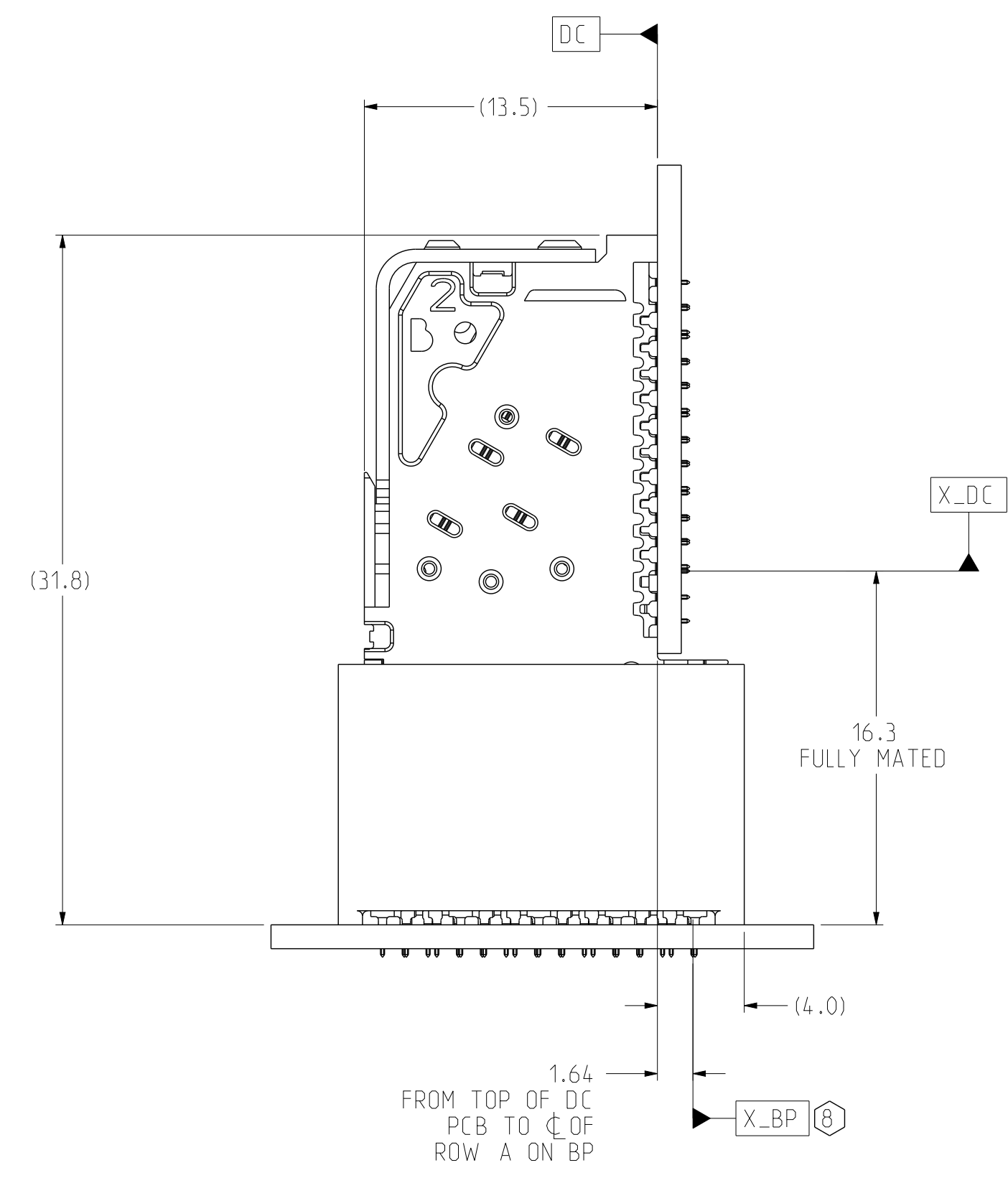
2

1

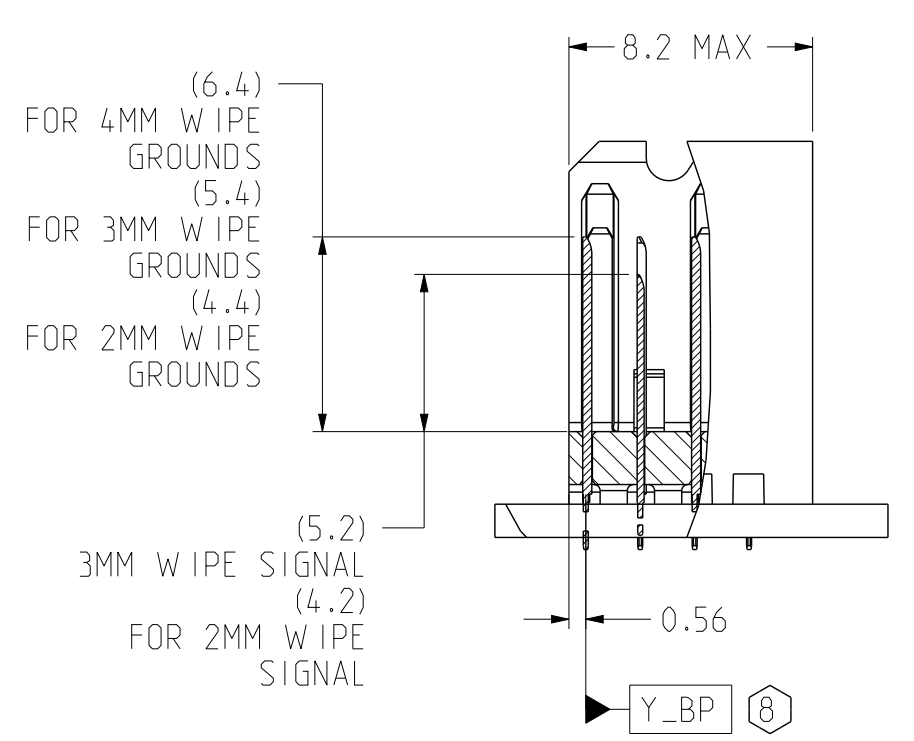
ZONE	REV	ECN NUMBER	DESCRIPTION	BY	DATE	APPROVED
			SEE SHEET 1			



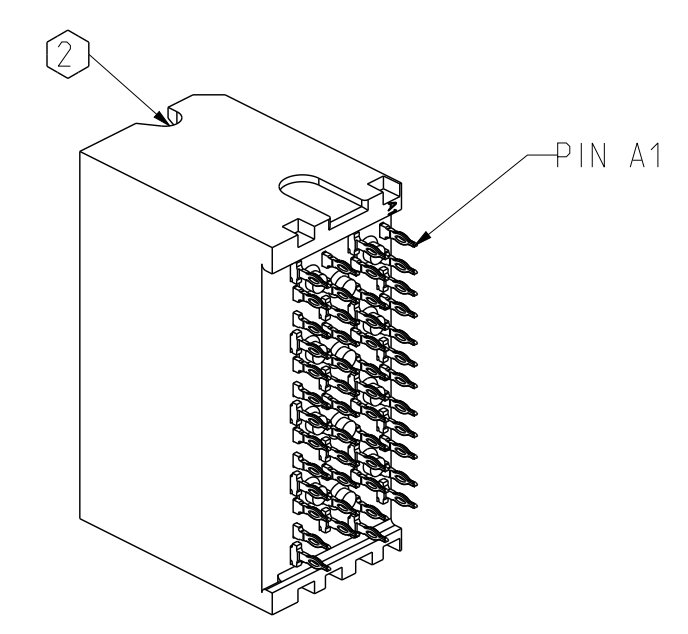
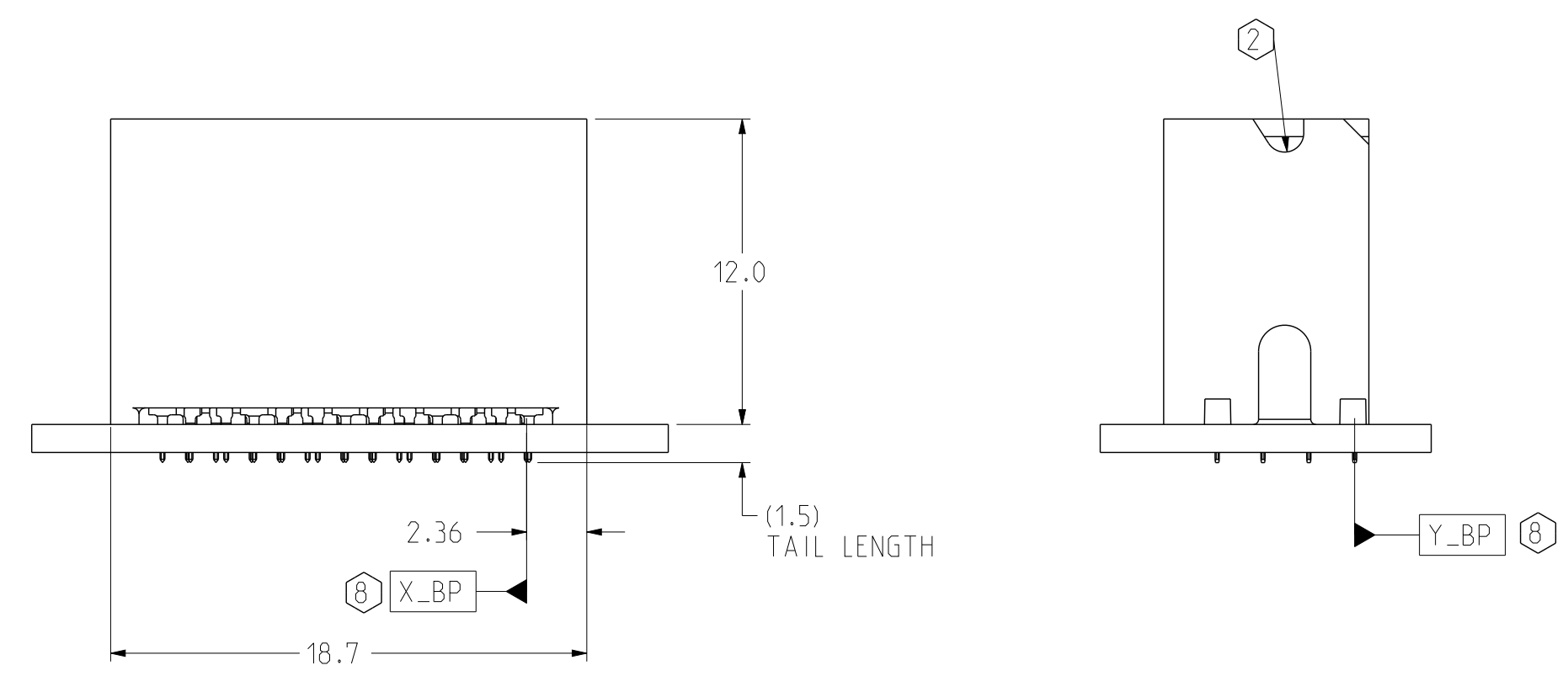
RIGHT WALL BACKPLANE MODULE DIMENSION



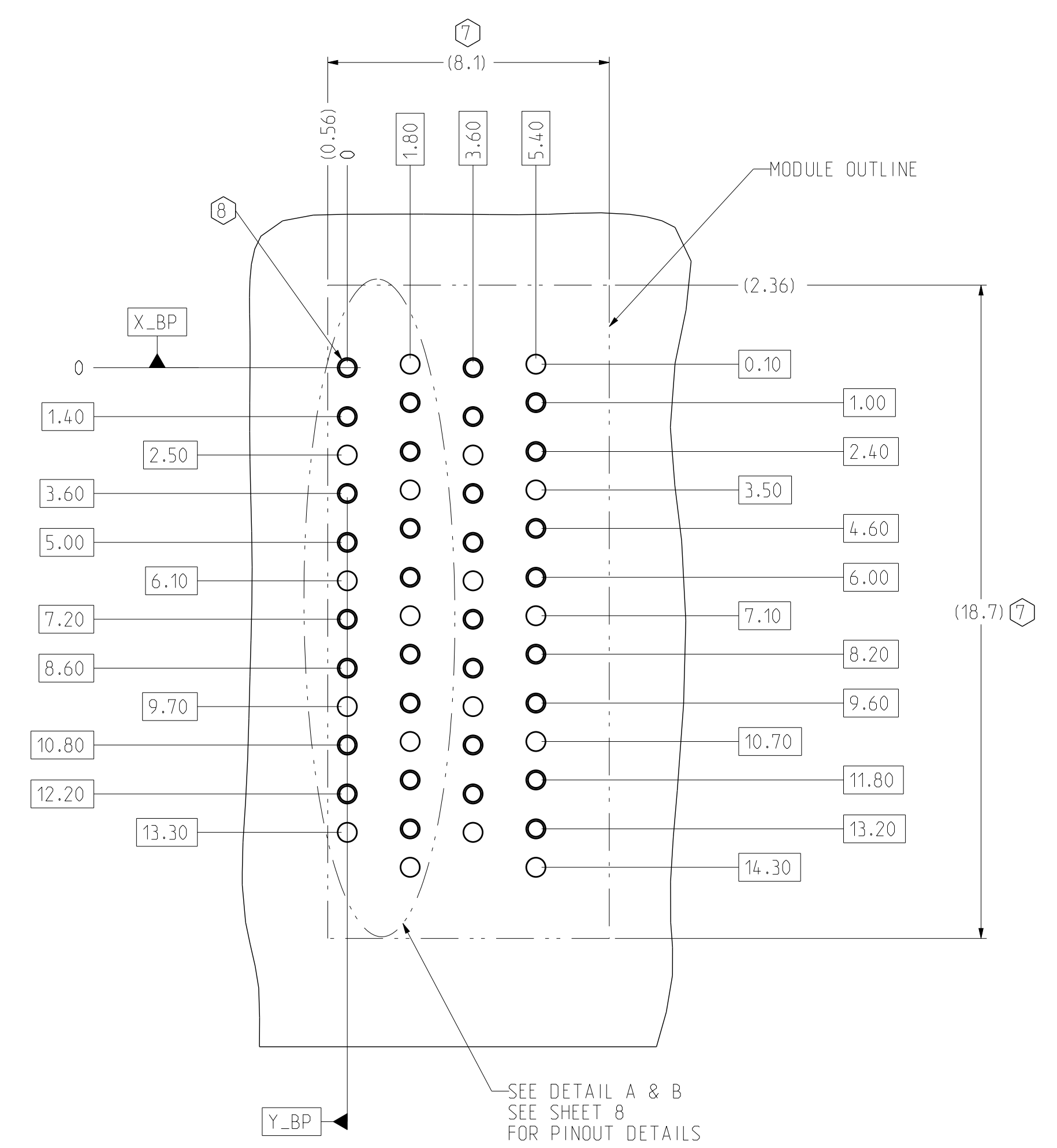
CONNECTOR REFERENCE
SCALE 4/1



SECTION Z-Z



ISOMETRIC VIEW
SCALE 3/1

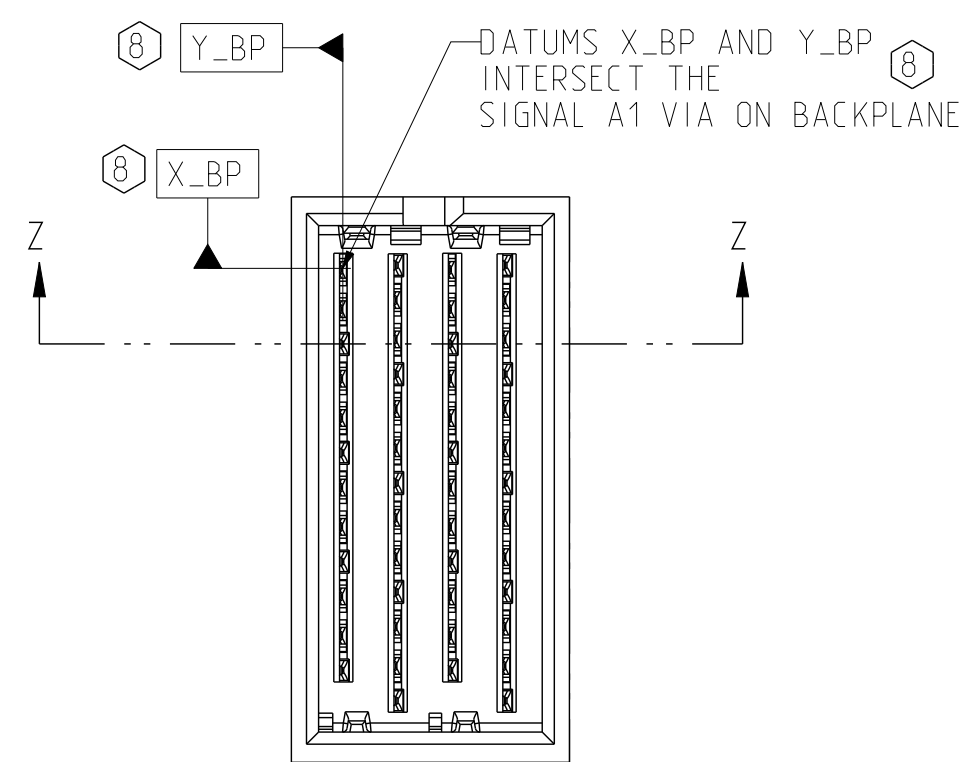


RIGHT WALL BACKPLANE FOOTPRINT

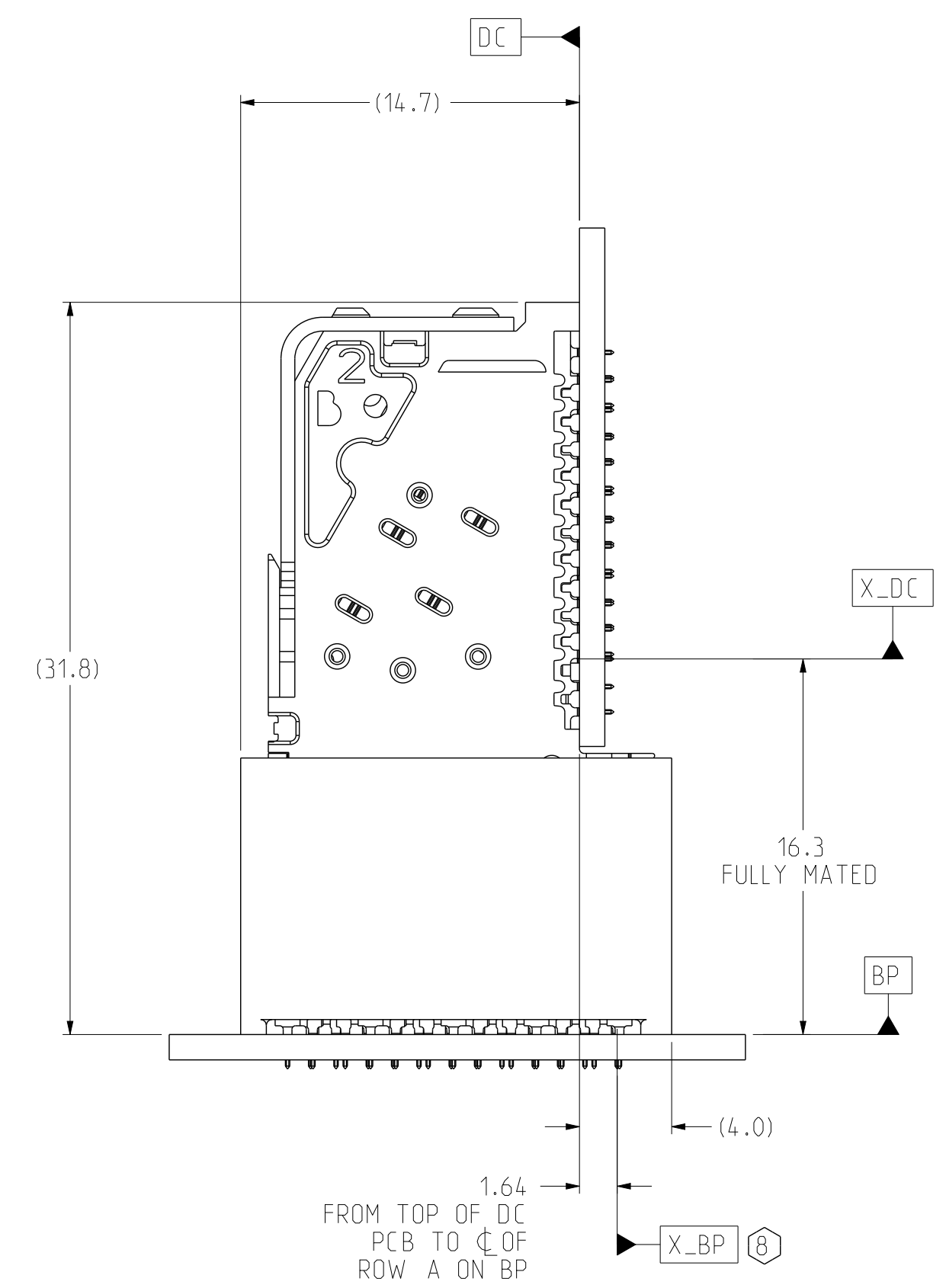
TOLERANCES		DESIGN 02/18/2010	Amphenol TCS A Division of Amphenol Corporation 200 Innovative Way, Nashua, NH 03062 603.879.3000 TITLE BACKPLANE MODULES, VERTICAL MALE HEADER Xcede HD, 4 PAIR 4 POSITION PART NO. SEE PN TREE SHEET 1 DRAWING NO. C-923-400J-500 ASSEM C-923-400J-500 DRAWING C-923-400J-500 SIZE D SCALE 1/1 SHEET 6 OF 8
0.0	± 0.25	T.D.O	
0.00	± 0.13	HCL-RK	
0.000	$\pm -$	T.D.O	
ANGLES	$\pm 3^\circ$	APVD 02/18/2010	REV N/A
UNLESS OTHERWISE SPECIFIED DIMENSIONS ARE IN MM. DECIMAL MARKER IS A PERIOD			REV F
CUSTOMER USE DRAWING			1.2 A.11

INTERPRET PER ASME Y14.5M
CODE IDENT 31413

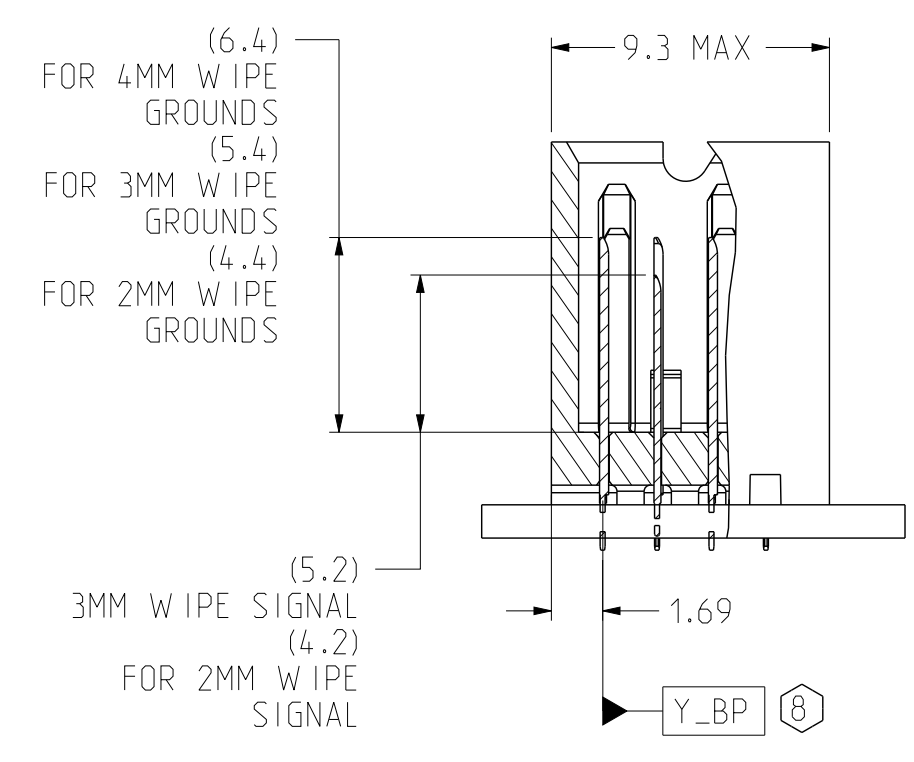
ZONE	REV	ECN NUMBER	DESCRIPTION	BY	DATE	APPROVED
			SEE SHEET 1			



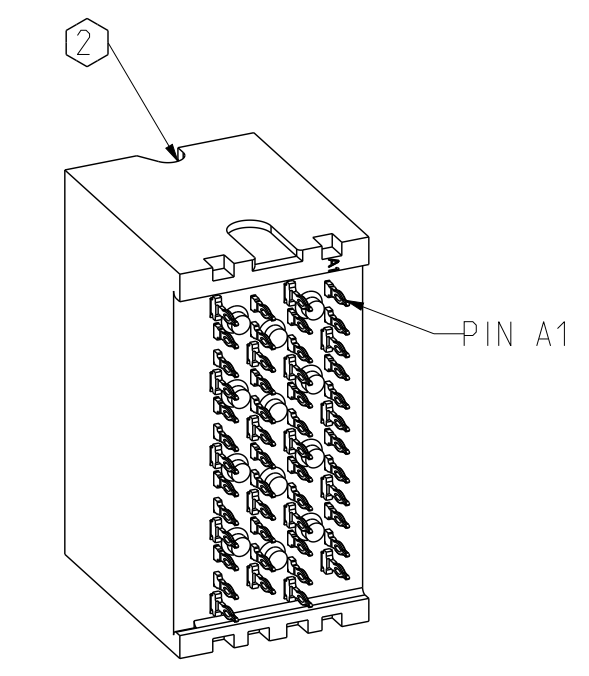
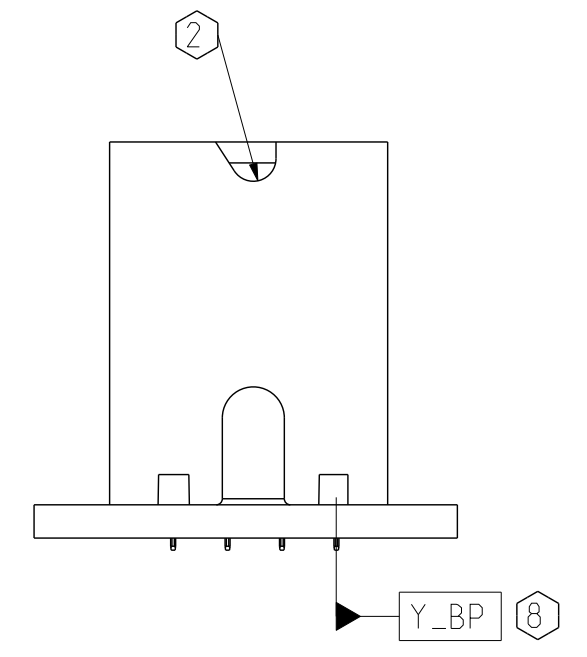
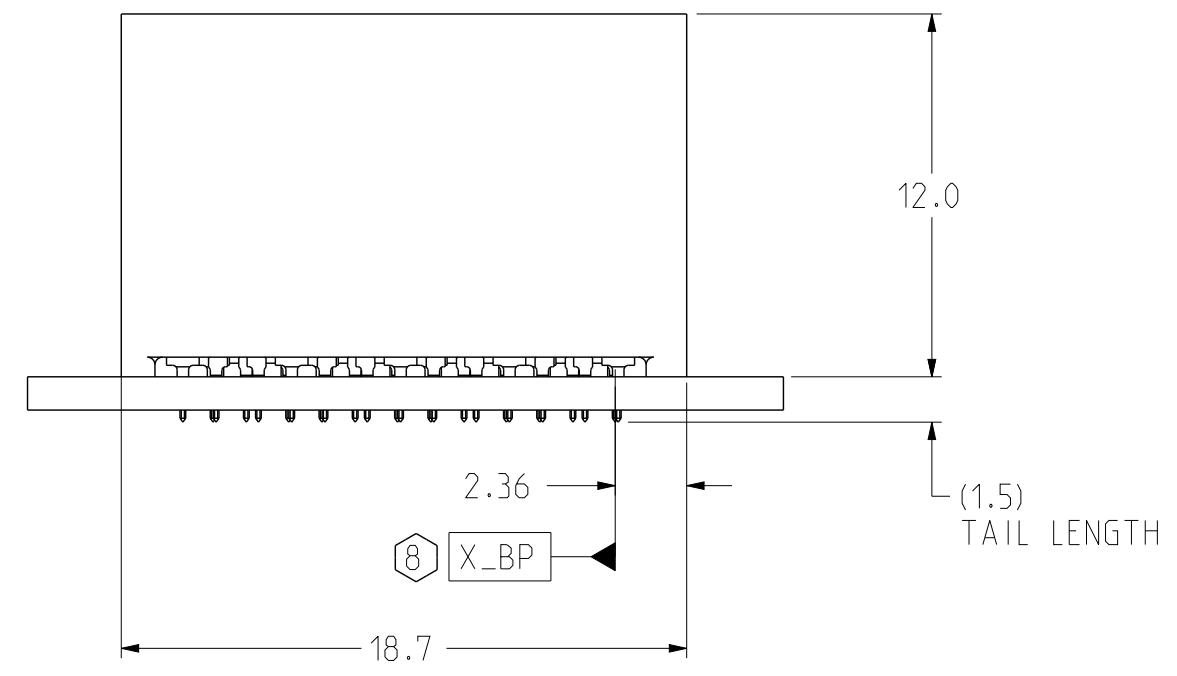
TWO WALL BACKPLANE MODULE DIMENSION



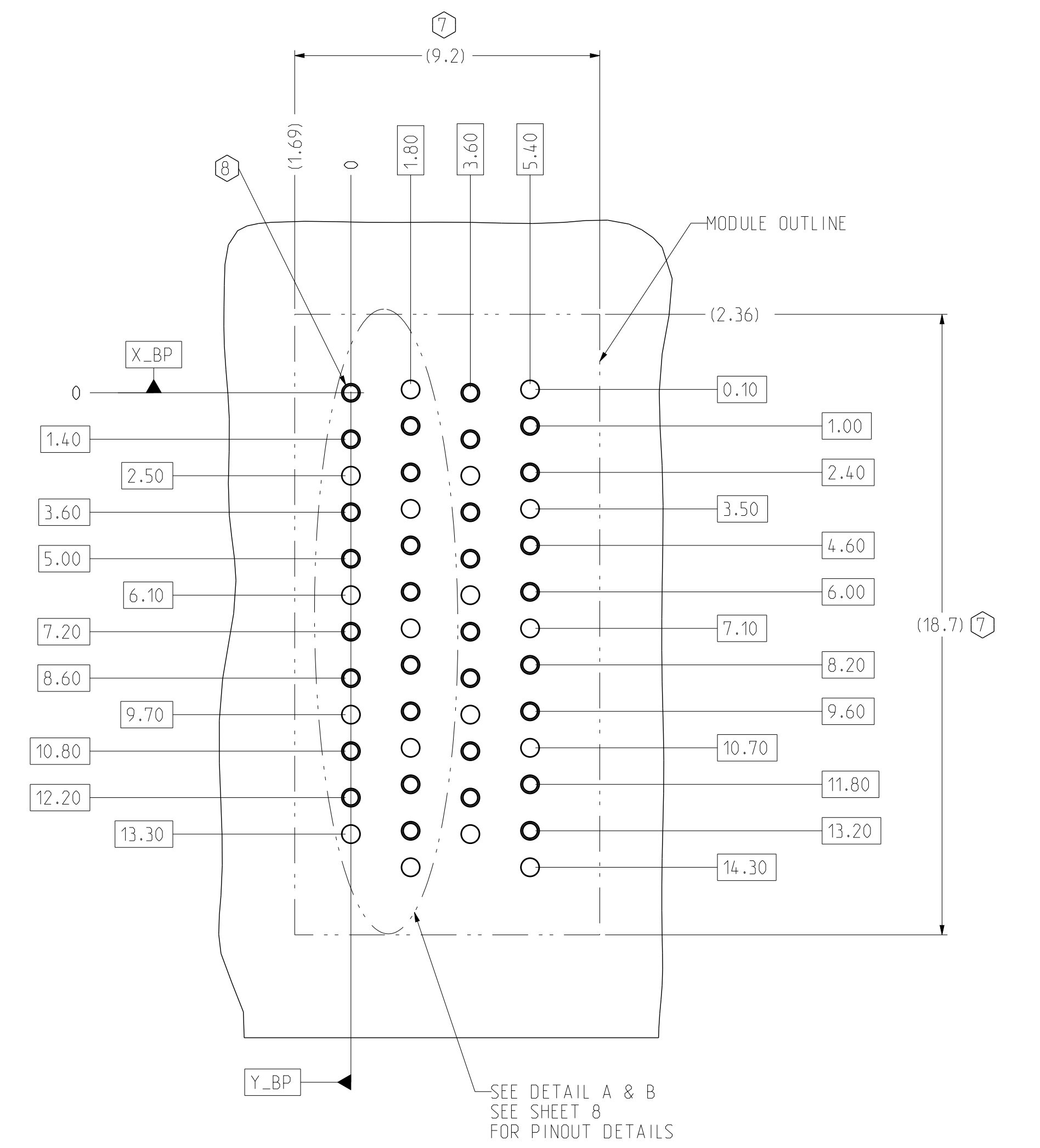
CONNECTOR REFERENCE
SCALE 4/1



SECTION Z-Z



ISOMETRIC VIEW
SCALE 3/1

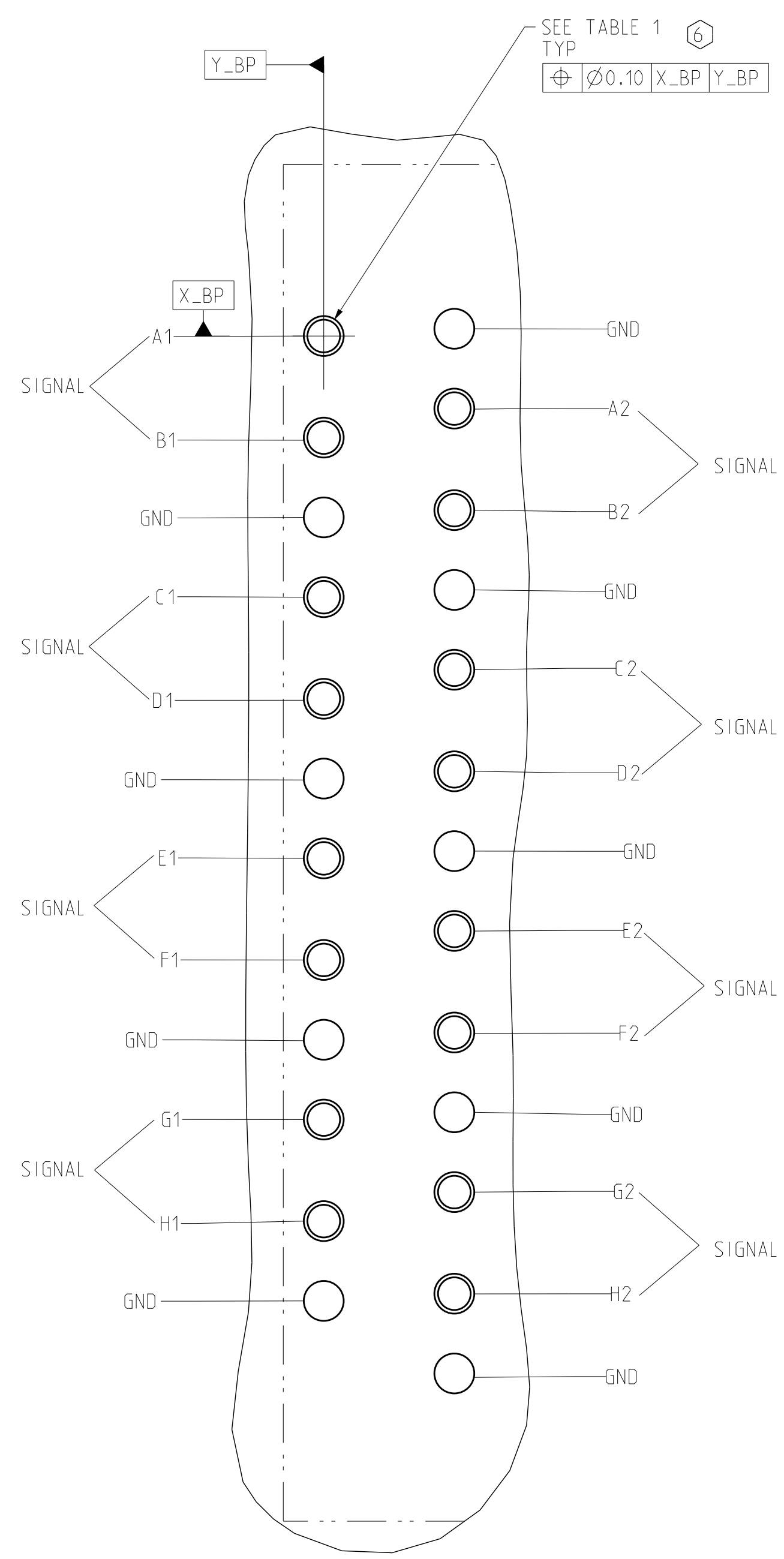


BP HOLE PATTERN
COMPONENT SIDE
SCALE 8/1

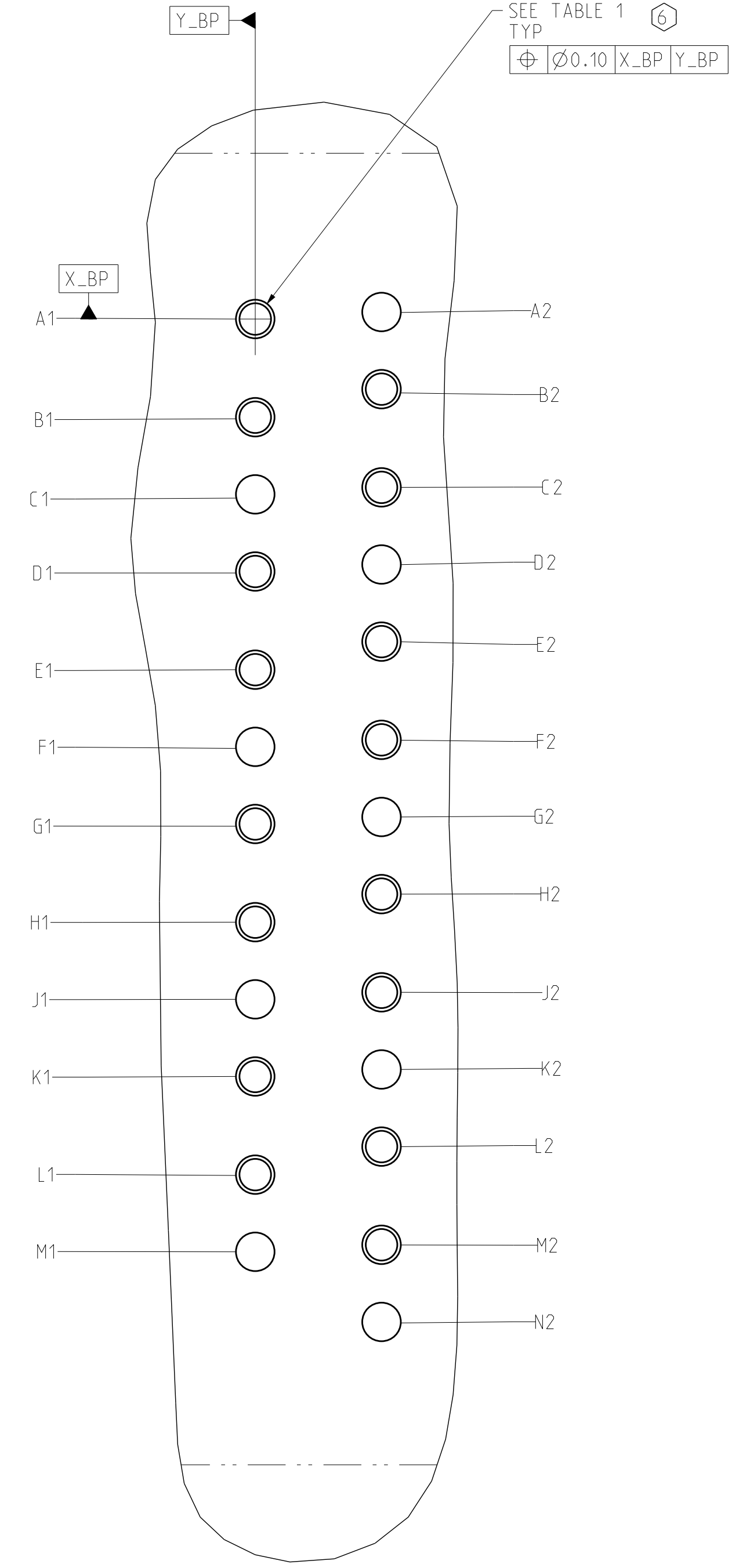
TWO WALL BACKPLANE FOOTPRINT

TOLERANCES		DESIGN 02/18/2010	Amphenol TCS	
0.0	±0.25	T.DO	A Division of Amphenol Corporation	
0.00	±0.13	HCL-RK	200 Innovative Way, Nashua, NH 03062 603.879.3000	
0.000	± -	T.DO	TITLE BACKPLANE MODULES, VERTICAL MALE HEADER	
ANGLES	± 3°	APVD 02/18/2010	XCede HD, 4 PAIR 4 POSITION	
UNLESS OTHERWISE SPECIFIED DIMENSIONS ARE IN MM. DECIMAL MARKER IS A PERIOD			PART NO.	SEE PN TREE SHEET 1
INTERPRET PER ASME Y14.5M			DRAWING NO.	C-923-400J-500
CODE IDENT 31413			ASSEM	C923-400J-500
CUSTOMER USE DRAWING			DRAWING	C923-400J-500
SIZE D	SCALE 1/1	SHEET 7 OF 8		

ZONE	REV	ECN NUMBER	DESCRIPTION	BY	DATE	APPROVED
			SEE SHEET 1			



DETAIL A
HSD PINOUTS
SCALE 16/1



DETAIL B
LC PINOUTS
SCALE 16/1

	COMPLIANT PIN DRILL ϕ .0217"	COMPLIANT PIN DRILL ϕ .0177"
PTH	ϕ 0.45 \pm 0.05	ϕ 0.36 \pm 0.05
DRILL	ϕ 0.55 [\pm 0.0217"]	ϕ 0.45 [\pm 0.0177"]
PAD	ϕ 0.85	ϕ 0.75

TOLERANCES		DESIGN 02/18/2010	Amphenol TCS A Division of Amphenol Corporation 200 Innovative Way, Nashua, NH 03062 603.879.3000
0.0	\pm 0.25	T.D.O	
0.00	\pm 0.13	HCL-RK	
0.000	\pm -	T.D.O	
ANGLES	\pm 3°	APVD 02/18/2010	TITLE BACKPLANE MODULES, VERTICAL MALE HEADER XCede HD, 4 PAIR 4 POSITION
UNLESS OTHERWISE SPECIFIED DIMENSIONS ARE IN MM. DECIMAL MARKER IS A PERIOD			PART NO. SEE PN TREE SHEET 1 DRAWING NO. C-923-400J-500
INTERPRET PER ASME Y14.5M CODE IDENT 31413			REV N/A REV F ASSEM C923-400J-500 DRAWING C923-400J-500 1.2 A.11
CUSTOMER USE DRAWING		SIZE D	SCALE 1/1
		SHEET 8 OF 8	