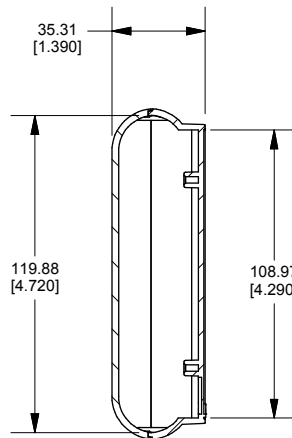
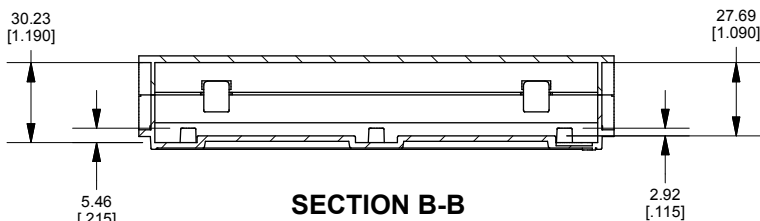
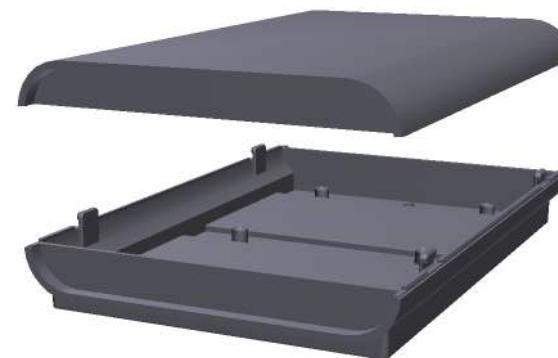


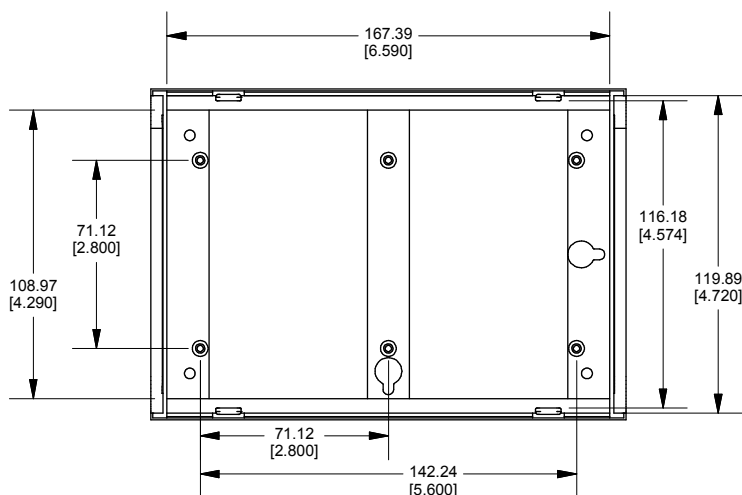
ASSEMBLY - TOP VIEW



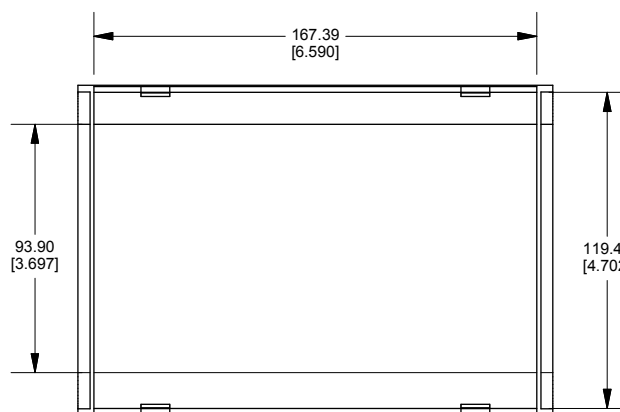
**SECTION A-A
END VIEW OF ASSEMBLY**



**SECTION B-B
SIDE VIEW OF ASSEMBLY**



BOX - INSIDE VIEW



LID - INSIDE VIEW

Enclosures can be Factory Modified (Milling, Drilling, Printing etc.)
 Contact Factory mjm@hammondmfg.com for quotes
 Solid models of this enclosure available in STEP or IGES.

NOTES	
Purchased assembly includes Snap Fit Box & Lid	
1597D	
PART NUMBERS	
GREY ABS	1597DGY

