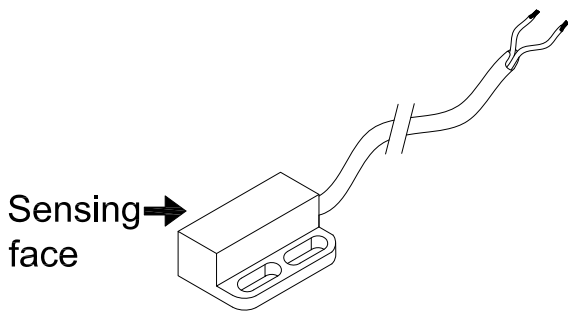


PICTURE

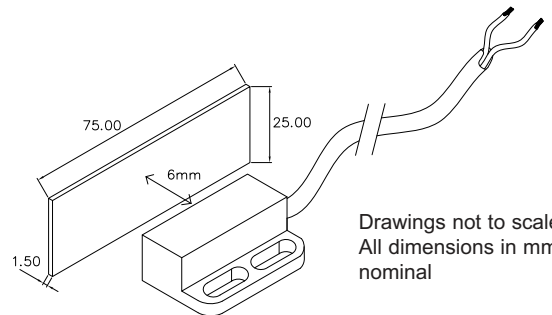
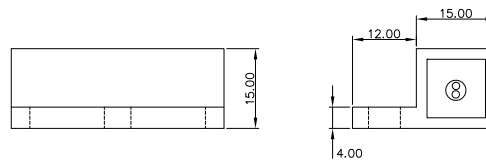
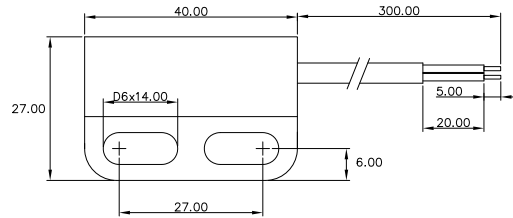
✓ RoHS Compliant



SENSING FACE



DIMENSIONS



Drawings not to scale
All dimensions in mm nominal

SPECIFICATION

Contact Form / Style	Normally Open, closes in presence of ferrous metal	
Activation distance	mm	6
Switching Voltage	Max Volts AC/DC	140 / 200
Switching Current	Max Amps	0.5
Switching Power	Max Watts	10
Carry Current	Max Amps	2.75
Breakdown Voltage	Min Volts DC	225
Contact Resistance	Max mOhms	100
Operating Frequency	Max Hz	100
Operating Temperature	Celsius	- 40° to 85°
Case Material	ABS Plastic	
Cable	2 x 0.14mm ² Grey PVC insulated, Brown/ White	

Applications Include

- Gate closed detection.
- Robotics sensing.
- Automated production lines.
- Safety guards.

Options

- Top, front or base sensing direction.
- 105° G/F Nylon version available.
- Custom cable types, cable lengths, connectors or crimp terminals available.
- If you do not see what you need, just ask, as there is a strong possibility we can do it !

Did you know we also sell?



Rev. No.

Revision Note

Date

Signature

1

Datasheet

01-10-14

ML



ISO 9001:2008
Certificate No. FM21080

As part of the company policy of continued product improvement, specifications may change without notice. Our sales office will be pleased to help you with the latest information on this product range and the details of our full design and manufacturing service. All products are supplied to our standard conditions of sale unless otherwise agreed in writing.

Phone : +44 (0)1255 862236

www.comus-group.com

Fax: +44 (0)1255 862014

©2014 Copyright Comus Europe Ltd, Unit 7, Rice Bridge Industrial Estate, Thorpe - Le - Soken, Essex, CO16 0HL, ENGLAND.
USA: Comus International:+1 973 777 6900, Belgium: Comus Belgium BVBA: +32 (0)12 390400