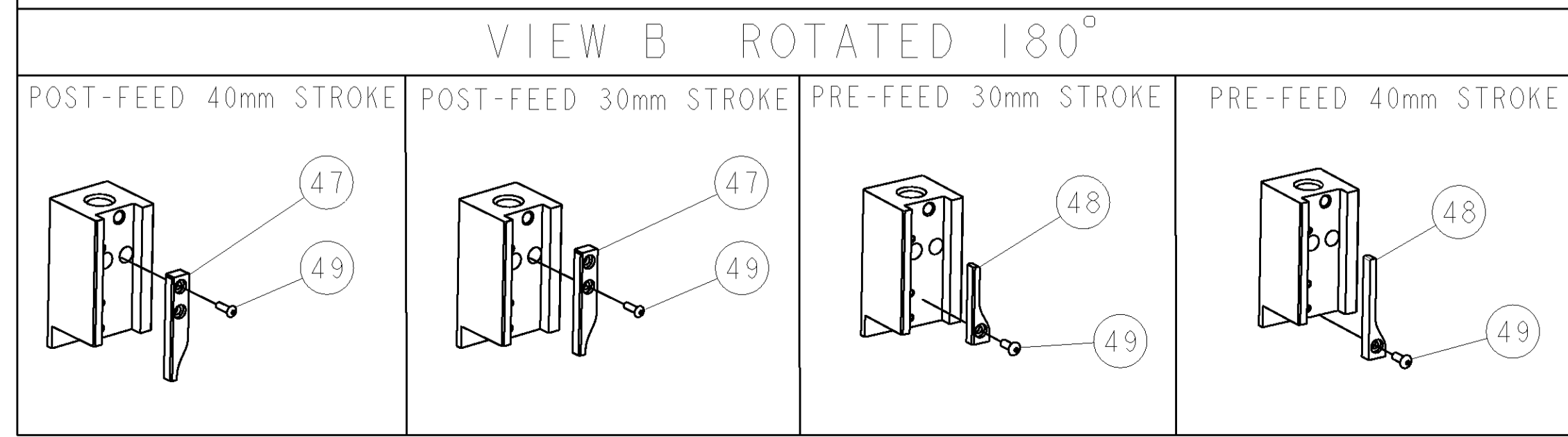
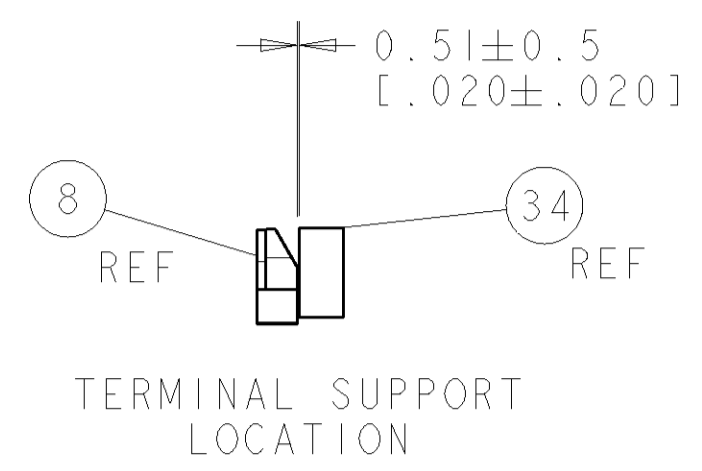
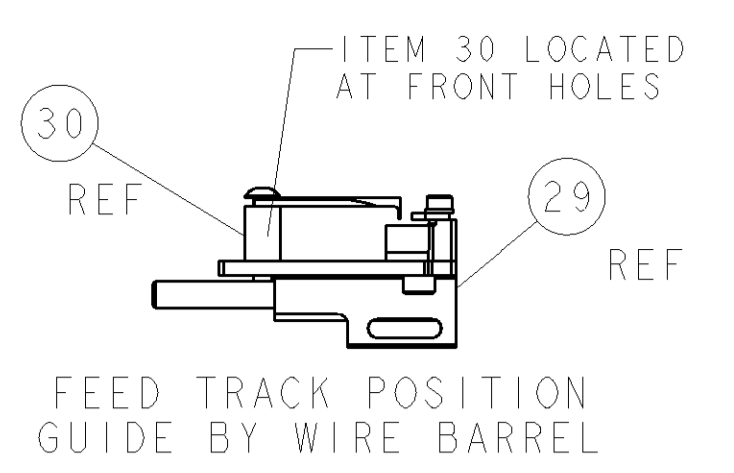
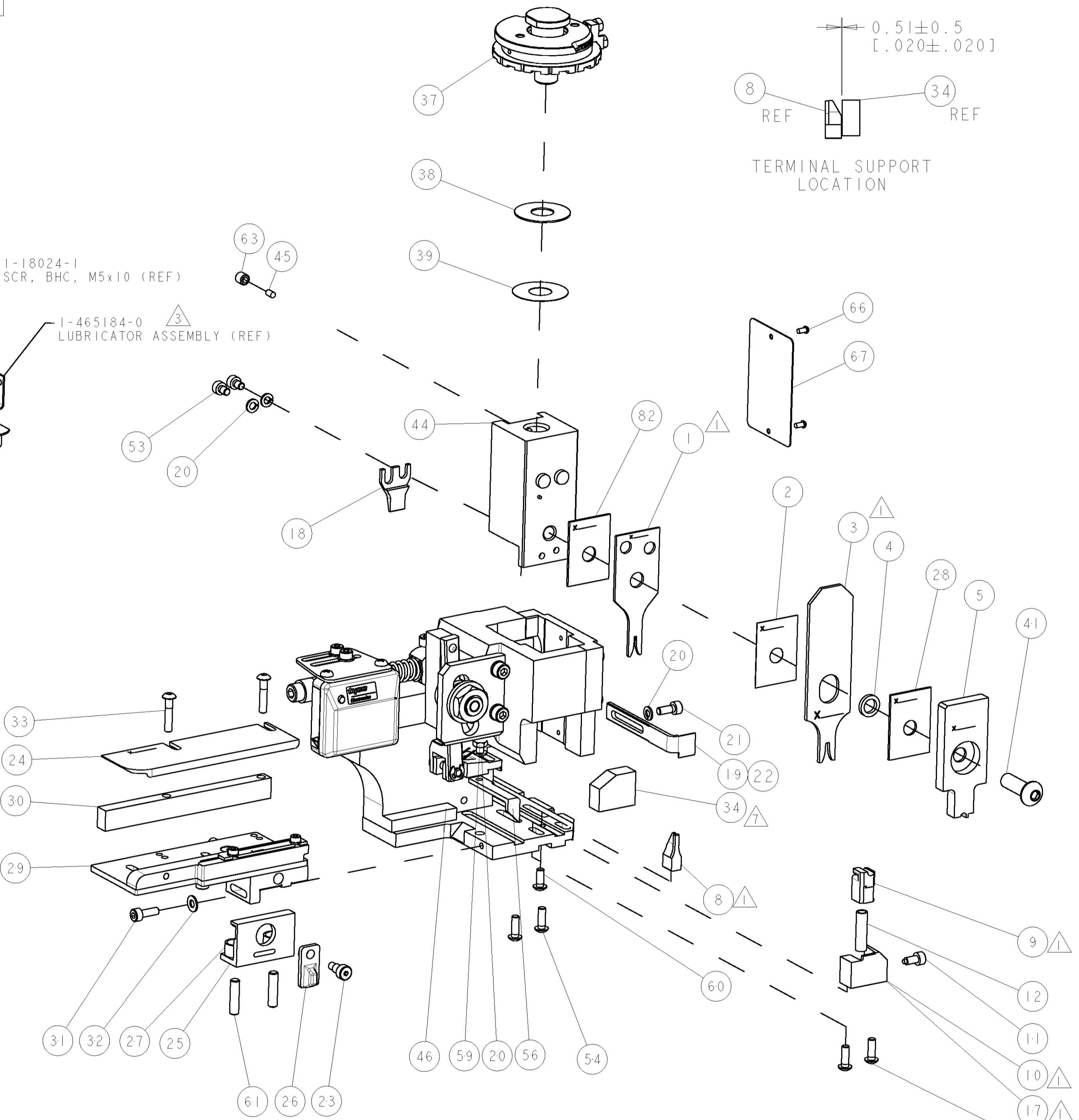


| PART NUMBER | REV | TERMINATOR | FEED TYPE      | DESCRIPTION        |
|-------------|-----|------------|----------------|--------------------|
| 1528646-1   | A   | LEADMAKER  | MECH POST FEED | CUTS CARRIER       |
| 1528646-2   | A   | BENCH      | MECH PRE FEED  | CUTS CARRIER       |
| 1528646-6   | A   | LEADMAKER  | MECH POST FEED | CONTINUOUS CARRIER |
| 7-1528646-1 | A   | LEADMAKER  | MECH POST FEED | -1 AND SPARE PARTS |
| 7-1528646-2 | A   | BENCH      | MECH PRE FEED  | -2 AND SPARE PARTS |
| 7-1528646-6 | A   | LEADMAKER  | MECH POST FEED | -6 AND SPARE PARTS |
| 7-1528646-7 | A   | -          | -              | SPARE PARTS KIT    |

| CRIMP DATA                        | JST TERMINAL                | TYCO CRIMP SPEC      |                                       |
|-----------------------------------|-----------------------------|----------------------|---------------------------------------|
| TERMINAL NAME: JST - BH CONNECTOR |                             |                      |                                       |
| CRIMP                             | SIZE                        | TYPE                 | RANGE                                 |
| WIRE                              | 1.27 [1.050 IN]             | F                    | 0.08-0.33mm <sup>2</sup> or 28-22 AWG |
| INSUL                             | 2.54 [1.000 IN]             | F                    | 1.60-2.40 [1.063-.094 IN]             |
| WIRE STRIP LENGTH                 |                             | APPL INSTRUCTIONS    |                                       |
| 1.90-2.70 [1.075-.106 IN]         |                             | 408-8322 & 408-8490  |                                       |
| TERMINAL APPL SPEC                |                             | FEED 10.50 [4.13 IN] |                                       |
| TERMINALS APPLIED                 |                             |                      |                                       |
| TYCO TERM PN                      | MANUF TERM PN               |                      |                                       |
| 1949023-1                         | SBH-001T-P0.5               | -                    | -                                     |
| 1949025-1                         | SBHM-001T-P0.5              | -                    | -                                     |
| WIRE SIZE                         | CRIMP HEIGHT                | REF SETTING          |                                       |
| 22 AWG                            | 0.79 ±0.05 [1.031 ±.002 IN] | C 3                  |                                       |
| 0.25 mm <sup>2</sup>              | 0.73 ±0.05 [1.029 ±.002 IN] | C 5                  |                                       |
| 24 AWG                            | 0.72 ±0.05 [1.028 ±.002 IN] | C 7                  |                                       |
| 26 AWG                            | 0.66 ±0.05 [1.026 ±.002 IN] | D 1                  |                                       |
| 28 AWG                            | 0.63 ±0.05 [1.025 ±.002 IN] | D 3                  |                                       |

- 1. RECOMMENDED SPARE PARTS.
- 2. GREASE RAM, CAM, CAM FOLLOWER AND FEED ROD LIGHTLY.
- 3. CERTAIN TERMINALS REQUIRE LUBRICATION. REFER TO THE APPLICATOR INSTRUCTION SHEET FOR MORE INFORMATION.
- 4. LUBRICATE DAILY PER THE APPLICATOR INSTRUCTION SHEET SUPPLIED WITH THE APPLICATOR.
- 5. ALL CRIMP DATA CALCULATED BY TYCO ELECTRONICS U.K. LTD.
- 6. WIRE RANGE SHOWN IS THAT OF THE TERMINAL. 28 AWG WIRE SIZE CANNOT BE RECOMMENDED BY TYCO ELECTRONICS UK LTD.
- 7. ITEM 34, TERMINAL SUPPORT USED FOR PIN PN 1949025-1 ONLY.



| -77 | -76 | -72 | -71 | -6 | -2 | -1 | PART NO    | DESCRIPTION     | ITEM NO |
|-----|-----|-----|-----|----|----|----|------------|-----------------|---------|
| -   | -   | -   | -   | -  | -  | -  | -          | -               | 84      |
| -   | -   | -   | -   | -  | -  | -  | -          | -               | 83      |
| -   | -   | -   | -   | -  | -  | -  | 1-455888-0 | SPACER, CRIMPER | 82      |
| -   | -   | -   | -   | -  | -  | -  | -          | -               | 81      |
| -   | -   | -   | -   | -  | -  | -  | -          | -               | 80      |
| -   | -   | -   | -   | -  | -  | -  | -          | -               | 79      |
| -   | -   | -   | -   | -  | -  | -  | -          | -               | 78      |
| -   | -   | -   | -   | -  | -  | -  | -          | -               | 77      |
| -   | -   | -   | -   | -  | -  | -  | -          | -               | 76      |
| -   | -   | -   | -   | -  | -  | -  | -          | -               | 75      |
| -   | -   | -   | -   | -  | -  | -  | -          | -               | 74      |

| LOC | DIST | REV | DATE | BY | APPD |
|-----|------|-----|------|----|------|
| A   | 66   |     |      |    |      |

| REV | DATE | DESCRIPTION | ITEM NO |
|-----|------|-------------|---------|
| -   | -    | -           | 73      |
| -   | -    | -           | 72      |
| -   | -    | -           | 71      |
| -   | -    | -           | 70      |
| -   | -    | -           | 69      |
| -   | -    | -           | 68      |
| -   | -    | -           | 67      |
| -   | -    | -           | 66      |
| -   | -    | -           | 65      |
| -   | -    | -           | 64      |
| -   | -    | -           | 63      |
| -   | -    | -           | 62      |
| -   | -    | -           | 61      |
| -   | -    | -           | 60      |
| -   | -    | -           | 59      |
| -   | -    | -           | 58      |
| -   | -    | -           | 57      |
| -   | -    | -           | 56      |
| -   | -    | -           | 55      |
| -   | -    | -           | 54      |
| -   | -    | -           | 53      |
| -   | -    | -           | 52      |
| -   | -    | -           | 51      |
| -   | -    | -           | 50      |
| -   | -    | -           | 49      |
| -   | -    | -           | 48      |
| -   | -    | -           | 47      |
| -   | -    | -           | 46      |
| -   | -    | -           | 45      |
| -   | -    | -           | 44      |
| -   | -    | -           | 43      |
| -   | -    | -           | 42      |
| -   | -    | -           | 41      |
| -   | -    | -           | 40      |
| -   | -    | -           | 39      |
| -   | -    | -           | 38      |
| -   | -    | -           | 37      |
| -   | -    | -           | 36      |
| -   | -    | -           | 35      |
| -   | -    | -           | 34      |
| -   | -    | -           | 33      |
| -   | -    | -           | 32      |
| -   | -    | -           | 31      |
| -   | -    | -           | 30      |
| -   | -    | -           | 29      |
| -   | -    | -           | 28      |
| -   | -    | -           | 27      |
| -   | -    | -           | 26      |
| -   | -    | -           | 25      |
| -   | -    | -           | 24      |
| -   | -    | -           | 23      |
| -   | -    | -           | 22      |
| -   | -    | -           | 21      |
| -   | -    | -           | 20      |
| -   | -    | -           | 19      |
| -   | -    | -           | 18      |
| -   | -    | -           | 17      |
| -   | -    | -           | 16      |
| -   | -    | -           | 15      |
| -   | -    | -           | 14      |
| -   | -    | -           | 13      |
| -   | -    | -           | 12      |
| -   | -    | -           | 11      |
| -   | -    | -           | 10      |
| -   | -    | -           | 9       |
| -   | -    | -           | 8       |
| -   | -    | -           | 7       |
| -   | -    | -           | 6       |
| -   | -    | -           | 5       |
| -   | -    | -           | 4       |
| -   | -    | -           | 3       |
| -   | -    | -           | 2       |
| -   | -    | -           | 1       |

| REV | DATE | DESCRIPTION | ITEM NO |    |    |    |         |             |         |
|-----|------|-------------|---------|----|----|----|---------|-------------|---------|
| -77 | -76  | -72         | -71     | -6 | -2 | -1 | PART NO | DESCRIPTION | ITEM NO |