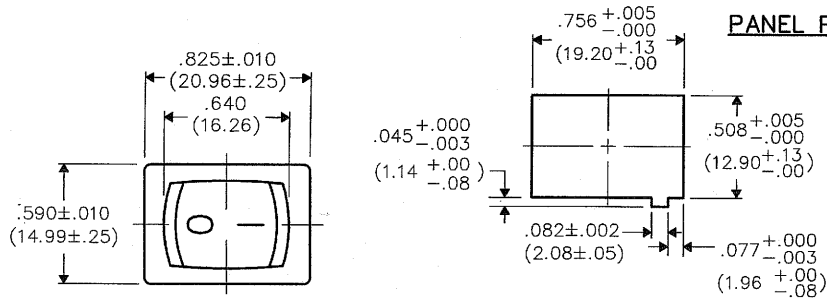


DIMENSIONS IN INCHES (MILLIMETERS)
DO NOT SCALE DRAWING

Dwg. No.

GC-509-0025

PANEL PIERCING

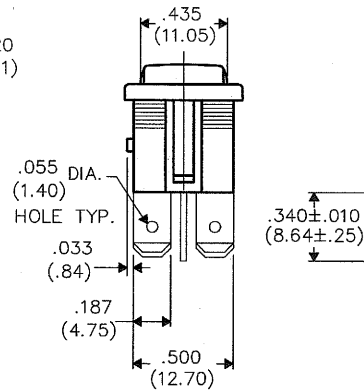
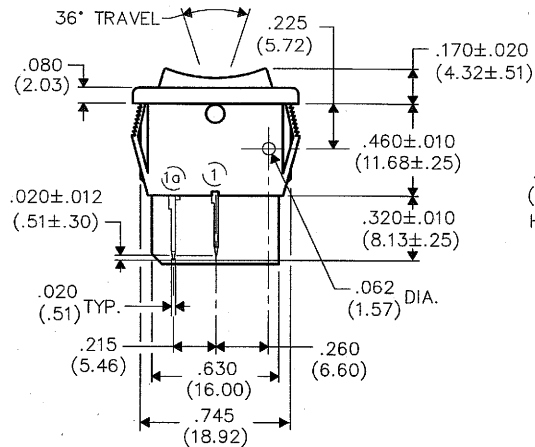


ELECTRICAL RATING

3(1.5)A 250 ~ 14
T 85°

ACTUATION FORCE

Center to End Detented	End to Center Detented	Center to End Momentary
8 - 20 oz	15 - 27 oz	20 - 32 oz



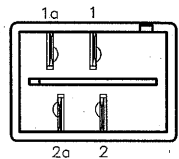
MATERIAL:

Housing & Knob-

UL Recognized Component plastic
Crastin 660 Manufactured by E.I. Dupont.

LOGIC TABLE

ROCKER POSITION	CONTACTS SHORTED
<p>END (MOMENTARY)</p>	1 - 1a (Pole 1) 2 - 2a (Pole 2)
<p>MIDDLE</p>	2 - 2a
<p>END (DETENTED)</p>	NONE



BOTTOM VIEW

1 2 3 4 5 6 7 8 9 10

B-FORMAT 2002
REVISIONS
RELEASED
DGW 1-12-2010
JAN 14 2010

CW INDUSTRIES
Southampton, Pa. 18966
TOLERANCES UNLESS OTHERWISE SPECIFIED
2 Place Decimal ±.010 METRIC
3 Place Decimal ±.005 1 Place Dec. ±.25mm
Angles ±1' 2 Place Dec. ±.13mm
Made for: CW IND.
Drawn by: DGW 1-12-2010
Checked by: G. Guld 1-13-10
Approval: G. Guld 1-13-10

Title: **MINI ROCKER SWITCH**
Division: **SWITCH**
Dwg. No. **GC-509-0025**

MASTER