

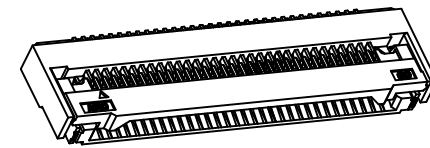
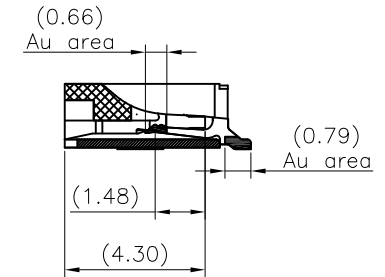
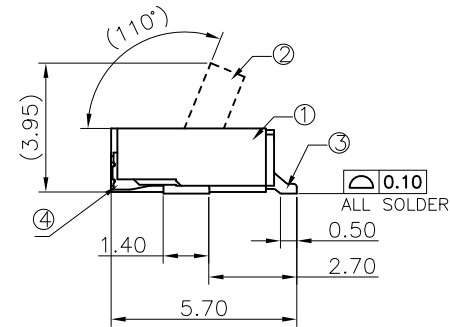
REV.	ECR/ECN No.	DESCRIPTION	DRAWN/DATE	CHECKED/DATE	APPROVED/DATE
G	/	Add 26pin & 32pin	May 2018-06-21	Rain 2018-06-21	Hongkui.liu 2018-06-21
H	/	Add 6pin	May 2019-05-13	Rain 2019-05-13	Hongkui.liu 2019-05-13
L	/	Update the drawing frame	May 2020-06-30	Rain 2020-06-30	Hongkui.liu 2020-06-30

NOTE:

1.ALL MATERIAL MUST BE COMPLY WITH GGP-001/OR/RoHS.

2.PART NO. LEGEND:

F300-1B7H1-110**(without mylar)
└── NO. OF POSITIONS
F300-1B7H1-110**-E100(with mylar)
└── NO. OF POSITIONS

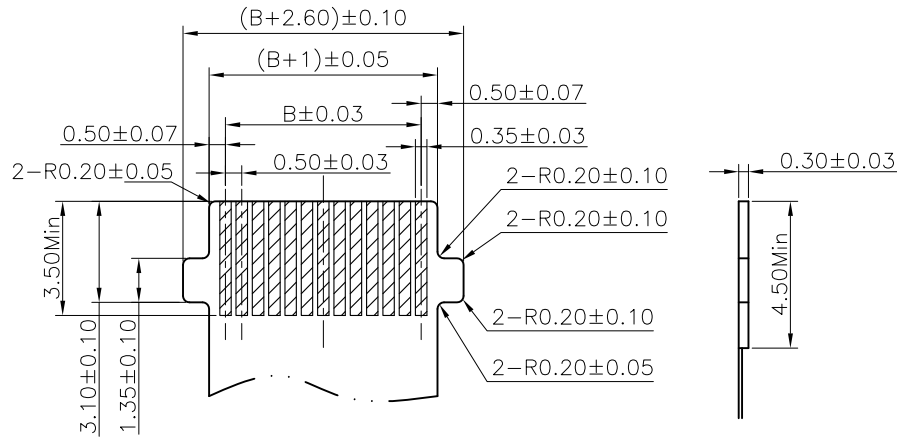


3d view ref.

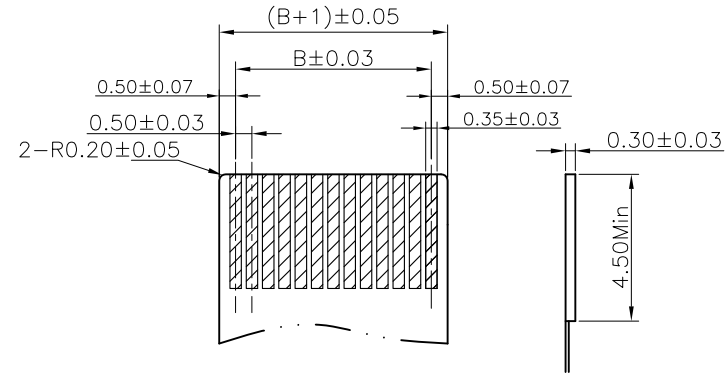
NO.	COMPONENTS	MATERIALS	FINISH/COLOR SPECIFICATION	QTY
1	HOUSING	LCP,UL94V-0	BLACK	1
2	ACTUATOR	PA9T,UL94V-0	BLACK	1
3	TERMINAL	PHOSPHOR BRONZE T=0.15mm	UNDER PLATING:1~3μm Ni SURFACE PLATING:0.05μm Min. Au	N
4	STATOR	BRASS,C2680-H T=0.20mm	UNDER PLATING:1~3μm Ni SURFACE PLATING:2~5μm Sn	2
5	MYLAR	L6.50*W4.2*H0.10mm	BROWN	1

UNLESS OTHERWISE SPECIFIED TOLERANCES				ANGLE OF PROJECTION		Amphenol AORORA	
X.	±0.30	X. °	± 5'			Amphenol Aorora Technology (Huizhou) Co.,Ltd	
X.X	±0.25	X.X °	± 4'				
X.XX	±0.20	X.XX °	± 3'	DOC TYP Customer Drw		TITLE: Assembly Drawing For 0.50mm pitch Front side flip, with lock,H2.0mm	
X.XXX	±0.15	X.XXX °	± 2'				
LINEAR DIMS		ANGLES DIMS		DRAWN DATE	May 2018-06-28	SIZE	PART NUMBER:
DWG NO.: A-S0252				DESIGN DATE	May 2018-06-28	A4	F300-1B7H1-110** F300-1B7H1-110**-E100
MATERIAL		SEE NOTES		CHECKED DATE	Rain 2018-06-28	REV.	L
FINISHED		SEE NOTES		APPROVED DATE	Hongkui.liu 2018-06-28	SCALE	5:1
						UNIT : mm	SHEET 1 OF 3

1. FFC PATTERN DIMENSION

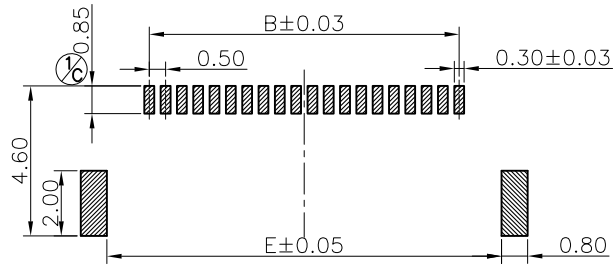


FFC/FPC PATTERN TYPE-1



FFC/FPC PATTERN TYPE-2

2. P.C.B LAYOUT, TOL: ±0.05



RECOMMEND PCB LAYOUT SIZE
TOLERANCE: ±0.05

PIN No.	A	B	C	D	E
06	7.30	2.50	3.50	5.70	5.10
10	9.30	4.50	5.50	7.70	7.10
15	11.80	7.00	8.00	10.20	9.10
17	12.80	8.00	9.00	11.20	10.60
20	14.30	9.50	10.50	12.70	12.10
22	15.30	10.50	11.50	13.70	13.10
26	17.30	12.50	13.50	15.70	15.10
28	18.30	13.50	14.50	16.70	16.10
30	19.30	14.50	15.50	17.70	17.10
32	20.30	15.50	16.50	18.70	18.10
35	21.80	17.00	18.00	20.20	19.60
36	22.30	17.50	18.50	20.70	20.10
40	24.30	19.50	20.50	22.70	22.10
45	26.80	22.00	23.00	25.70	24.60
50	29.30	24.50	25.50	27.70	27.10
60	34.30	29.50	30.50	32.70	32.10

UNLESS OTHERWISE SPECIFIED TOLERANCES				ANGLE OF PROJECTION		Amphenol AORORA	
X.	±0.30	X. '	± 5'			Amphenol Aorora Technology (Huizhou) Co.,Ltd	
X.X	±0.25	X.X '	± 4'				
X.XX	±0.20	X.XX '	± 3'	DOC TYP	Customer Drw	TITLE:	
X.XXX	±0.15	X.XXX '	± 2'	DRAWN	May 2018-08-26	Assembly Drawing For 0.50mm pitch Front side flip, with lock,H2.0mm	
LINEAR DIMS		ANGLES DIMS		DESIGN	May 2018-08-26	SIZE	PART NUMBER:
DWG NO.:	A-S0252			CHECKED	Rain 2018-08-26	A4	F300-1B7H1-110** F300-1B7H1-110**-E100
MATERIAL	SEE NOTES			APPROVED	Hongkui.liu 2018-08-26	SCALE	5:1
FINISHED	SEE NOTES					UNIT : mm	SHEET 2 OF 3

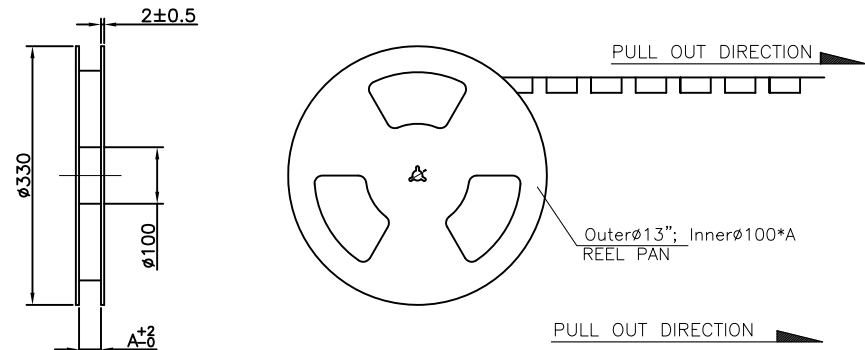
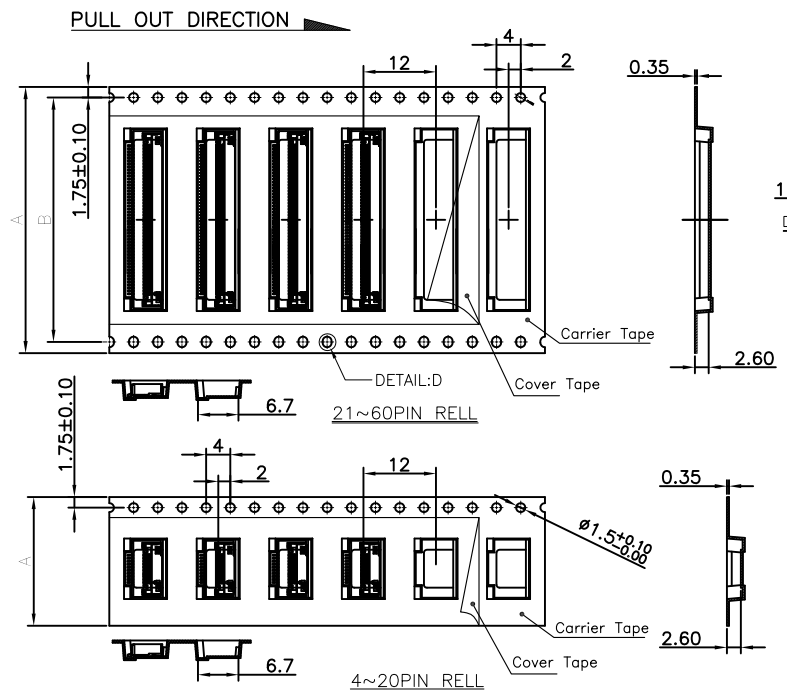
This document is the property of and embodies CONFIDENTIAL and PROPRIETARY information of AOR. No part of the information shown on this document may be used in any way or disclosed to others without the written consent of AOR. © 2019 AOR



This document is the property of and embodies CONFIDENTIAL and PROPRIETARY information of AMOR. No part of the information shown on this document may be used in any way or disclosed to others without the written consent of AMOR. © 2019 AMOR



1. PACKING INTO REEL:

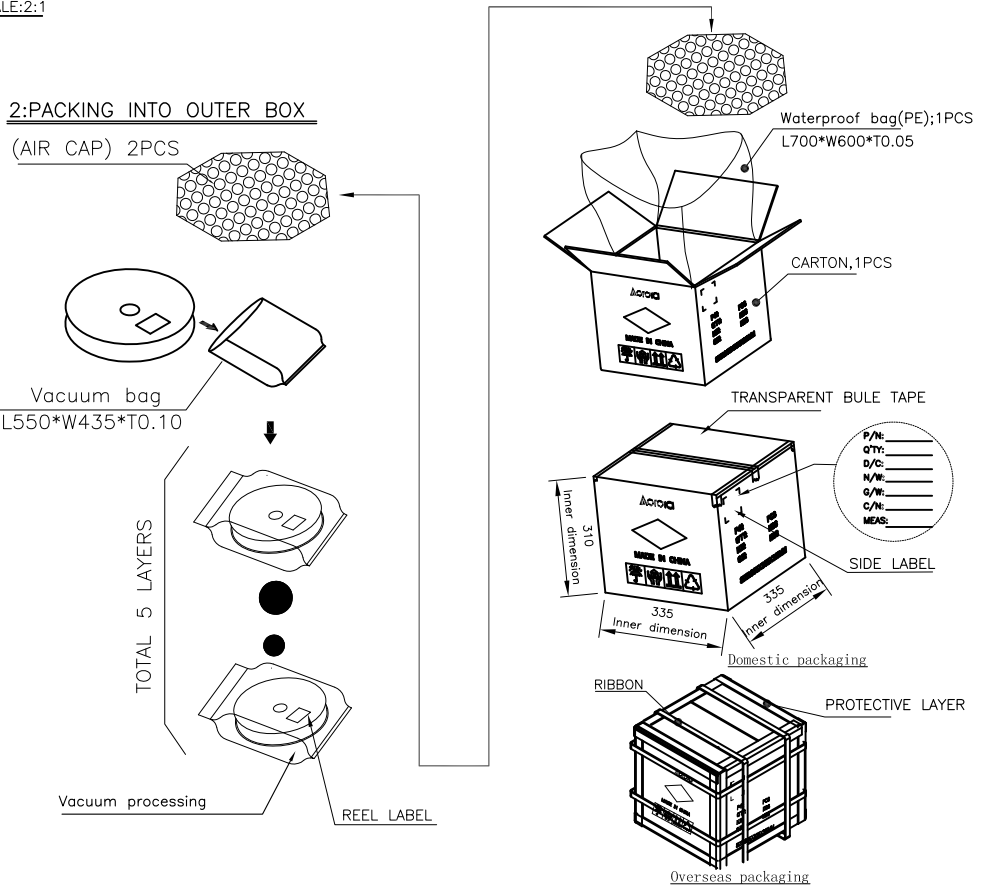


300~400mm TALL PART(EMPTY)	2000PCS COMPONENT SUPPLIER	LEADER(400 Min) (EMPTY 30 POCKETS)
-------------------------------	-------------------------------	---------------------------------------

NOTES:

1. MATERIAL:
 - 1.1 CARRY TAPE:HIPS,T=0.35±0.05mm,CLEAR
 - 1.2 REEL:HIPS,
 - 1.3 SHIM:PE,CLEAR.
2. PRIMARY PACKING:2000PCS/REEL;10,000pcs/Cartron
3. SECONDARY PACKING:SEE PACKING LIST
4. PEELING RESISTANCE: 0.1~0.7N(10~70gf); PEELING ANGLE: 165°~180°; PEELING SPEED: 300mm/minutues.

2:PACKING INTO OUTER BOX
(AIR CAP) 2PCS



5. QTY. LIST:

NO. OF POS.	A	B	PCS/REEL	N REEL/Cartron (TOL: PCS)
4~8PIN	16.0	/	2000	15REEL(30000PCS)
9~20 PIN	24.0	/	2000	11REEL(22000PCS)
21~34 PIN	32.0	28.4	2000	8REEL(16000PCS)
35~54 PIN	44.0	40.4	2000	6REEL(12000PCS)
55~60 PIN	56.0	52.4	2000	5REEL(10000PCS)

UNLESS OTHERWISE SPECIFIED TOLERANCES		ANGLE OF PROJECTION		 Amphenol Aorora Technology (Huizhou) Co.,Ltd				
X	±0.30	X.X	± 5'					
X.X	±0.25	X.X	± 4'	DOC TYP	Package Drw		TITLE:	Assembly Drawing For 0.50mm pitch Front side filp, with lock,H2.0mm
X.XX	±0.20	X.XX	± 3'	DRAWN	May 2018-08-26	DESIGN	DATE	May 2018-08-26
X.XXX	±0.15	X.XXX	± 2'	CHECKED	DATE	DATE	DATE	2018-08-26
LINEAR DIMS		ANGLES DIMS		DWG NO.:	A-S0252		SIZE	A4
MATERIAL		SEE NOTES		APPROVED	DATE	Leo.liu 2018-08-26	PART NUMBER:	F300-1B7H1-110** F300-1B7H1-110**-E100
FINISHED		SEE NOTES		SCALE	1:1	UNIT : mm	SHEET	3 OF 3