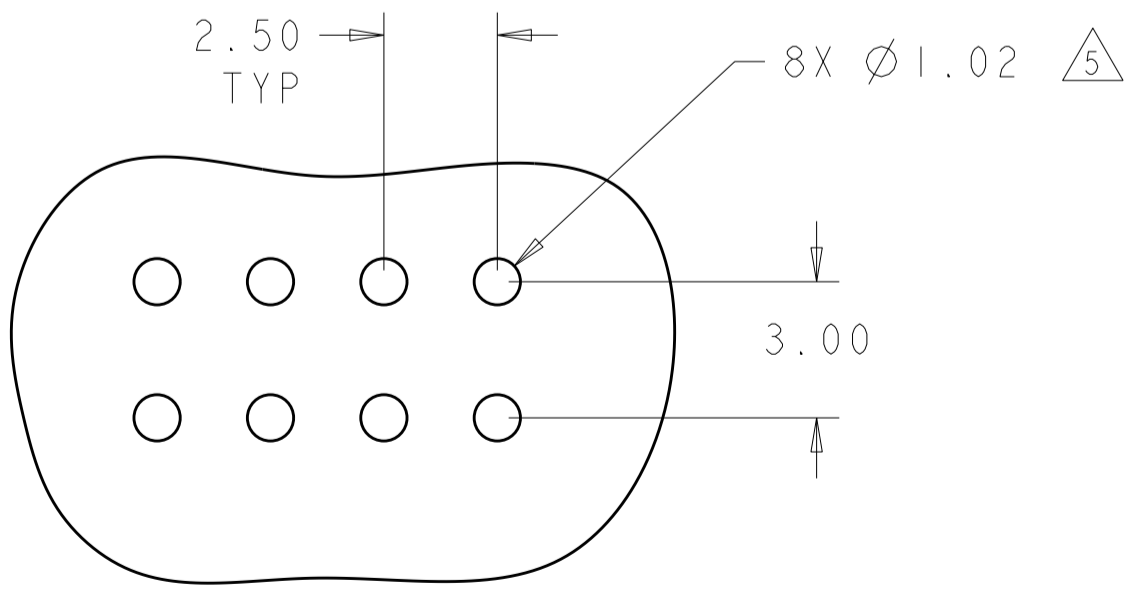
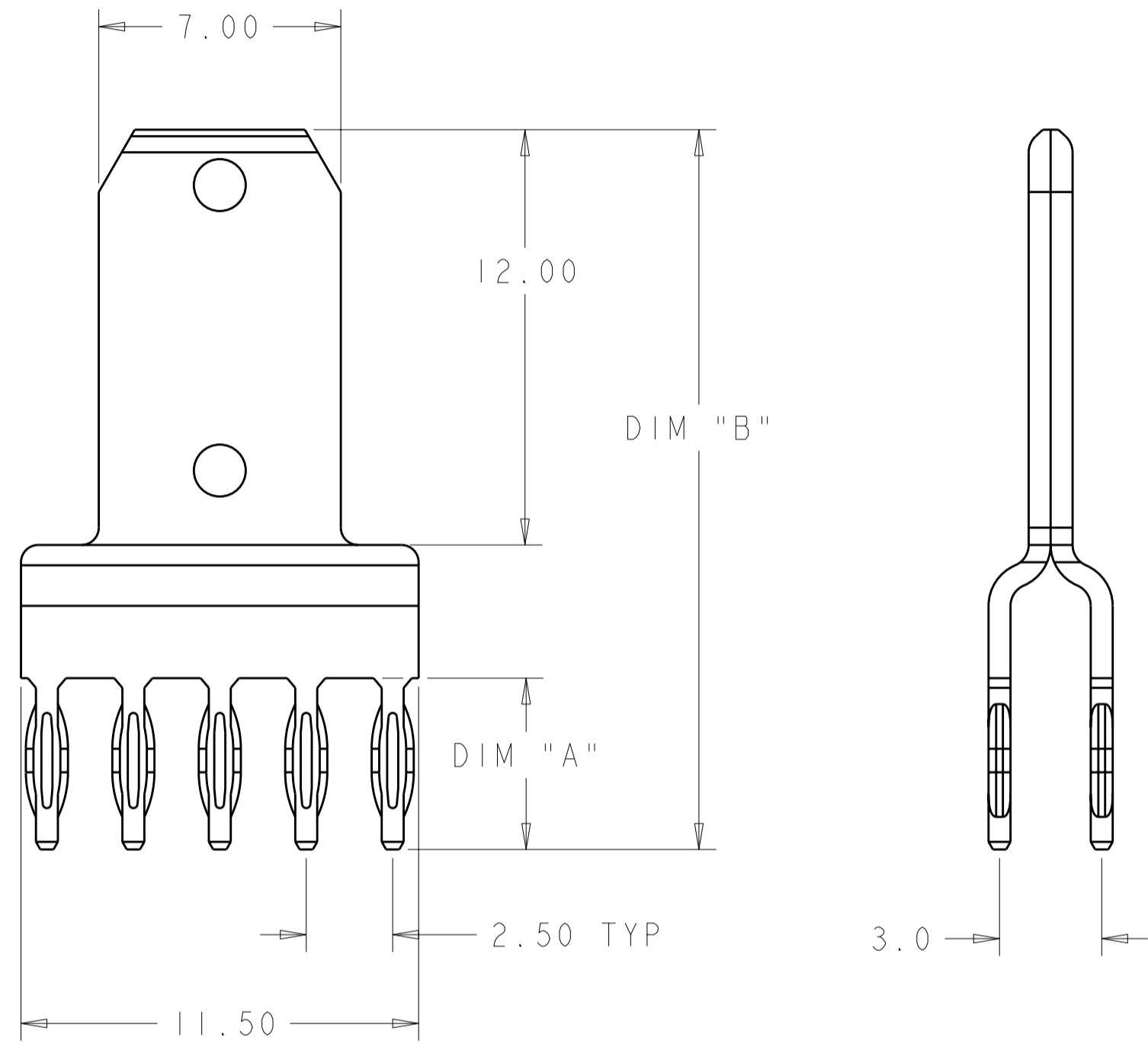


THIS DRAWING IS UNPUBLISHED. RELEASED FOR PUBLICATION 20  
 © COPYRIGHT 20 BY TYCO ELECTRONICS CORPORATION. ALL RIGHTS RESERVED.

LOC		DIST		REVISIONS			
P	LTR	DESCRIPTION	DATE	DWN	APVD		
	A	RELEASED	26FEB2008	RG	PD		



SUGGESTED P.C. BOARD LAYOUT  
 VIEW FROM THE CONNECTOR SIDE

1. PART NUMBER CHANGES AND/OR DESIGN CHANGES AFFECTING ITEM INTERCHANGEABILITY REQUIRES PRIOR TYCO ELECTRONICS APPROVAL AND AUTHORIZATION BY REVISION TO THIS DRAWING.

2. MATERIAL:  
 PHOSPHOR BRONZE ALLOY

3. FINISH:  
 CONTACT - GOLD PLATE 0.76µm MIN THK. OVER  
 NICKEL 1.27µm MIN THK.  
 COMPLAINT TAILS - TIN/LEAD PLATE 2.54µm MIN THK. OVER  
 NICKEL 1.27µm MIN THK.

4. ITEMS PROVIDED TO THIS SPECIFICATION TO BE PERMANENTLY IDENTIFIED ON THE CONTAINER PER THE FOLLOWING IDENTIFIER:

TYCO ELECTRONICS P/N DATE CODE (e.g. 0216)  
 XXXXXXXX-X XXXX  
 YEAR WEEK

5. RECOMMENDED PRINTED CIRCUIT HOLE COMPLIANT PRESS FIT:  
 DRILLED HOLE: Ø1.15±0.013  
 COPPER PLATE: 0.025 TO 0.050  
 TIN PLATE: 0.0005 MIN (PER SURFACE)

20.80	4.95	1648777-2
22.70	6.85	1648777-1
DIM "B"	DIM "A"	PART NO.

THIS DRAWING IS A CONTROLLED DOCUMENT FOR TYCO ELECTRONICS CORPORATION. IT IS SUBJECT TO CHANGE AND THE CONTROLLING ENGINEERING ORGANIZATION SHOULD BE CONTACTED FOR THE LATEST REVISION.		DWN R. GRZYBOWSKI 30 JAN 2008	Tyco Electronics Harrisburg, PA 17105-3608	
DIMENSIONS: mm		CHK P. DAMATO 30 JAN 2008	NAME POWER CONTACT, DISCRETE BLADE PCB MOUNT COMPLIANT TAIL	
TOLERANCES UNLESS OTHERWISE SPECIFIED: 0 PLC ± 1 PLC ±0.5 2 PLC ±0.25 3 PLC ± 4 PLC ± ANGLES ±3 FINISH		APVD S. FLICKINGER 30 JAN 2008	SIZE A2	
MATERIAL		PRODUCT SPEC -	CAGE CODE A200779	DRAWING NO. 1648777
CUSTOMER DRAWING		APPLICATION SPEC -	RESTRICTED TO -	SCALE 6:1
		WEIGHT -	SHEET 1	OF 1
			REV A	