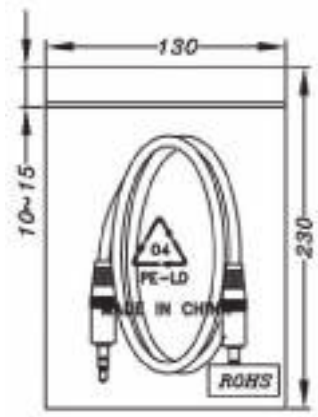


Electrical test:
 1. 100% short, open, miswire test
 2. Conduct resistance: 2 Ohm(max)
 3. Insulation resistance: 1 Mohm(min)
 4. dielectric test: DC 300V

PIN ASSIGNMENT		
P1		P2
1	RED	1
2	WHITE	2
3	S	3



NO.	PART NO.	DESCRIPTION	VENDER	QTY	UNIT/REF
5		OUTER MODEL PVC 45P COLOR BLACK		4.8	g
4		ROUND TIN OD1.0mm		0.15	g
3		3.5 STEREO JACK ODB.0mm		1	P2
2		3.5 STEREO PLUG PLATE NICKEL L=30mm		1	P1
1		T.C (7/0.12*20+43/0.12)*1C (RED,WHITE)*3.0 COLOR BLACK(CS-001)	01	1	1500mm



Scale	1:1					Name	Item No.
TOLERANCE					Drawn	01.03.12	AK-AV100-R (1.50M)
X.X	±0.40				Approved	Chappell	
X.XX	±0.25						Title
X.XXX	±0.15						Stereo Connection Cable, 3-Pin, 3.5mm Stereo Male to 3.5mm Stereo Male
Angle	±3°						Drawing No.
							rev00
							Replace
							Sheet

