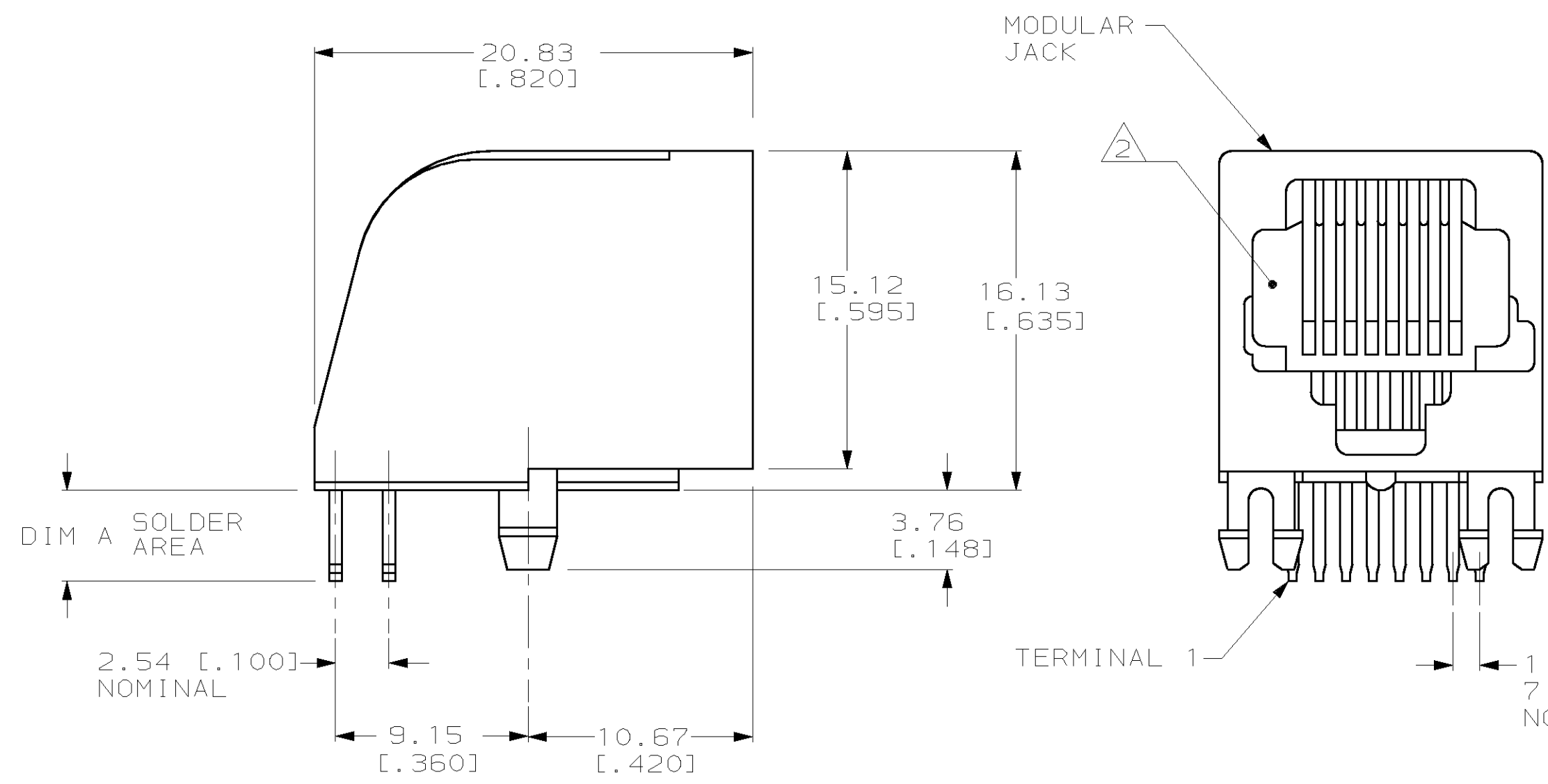
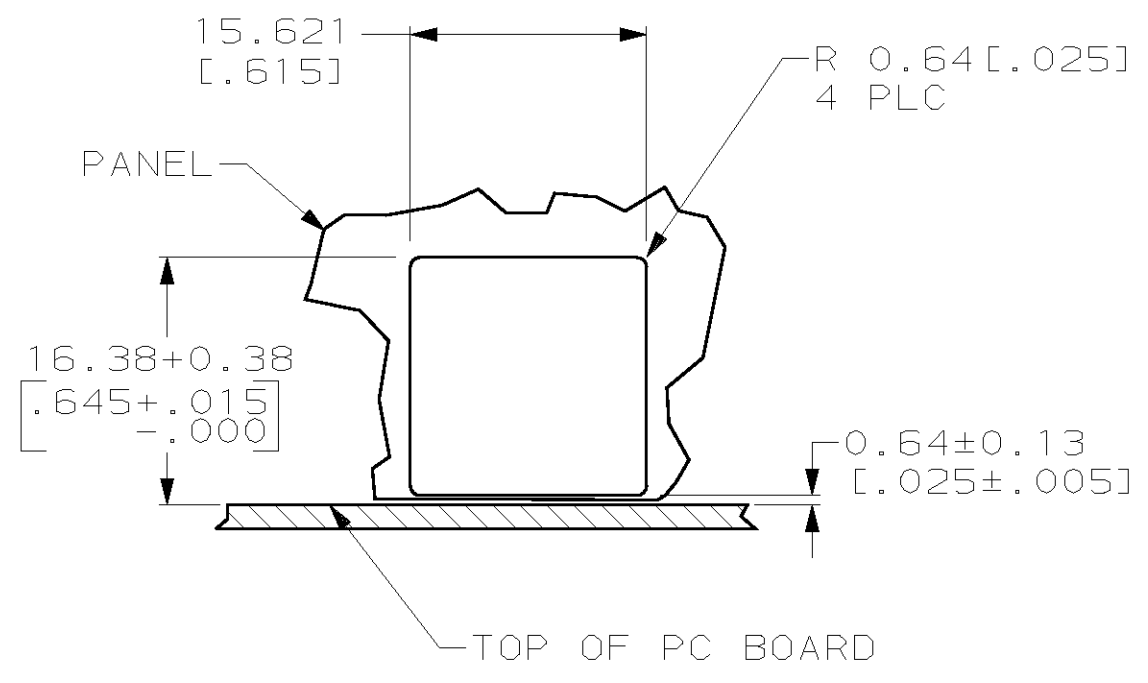
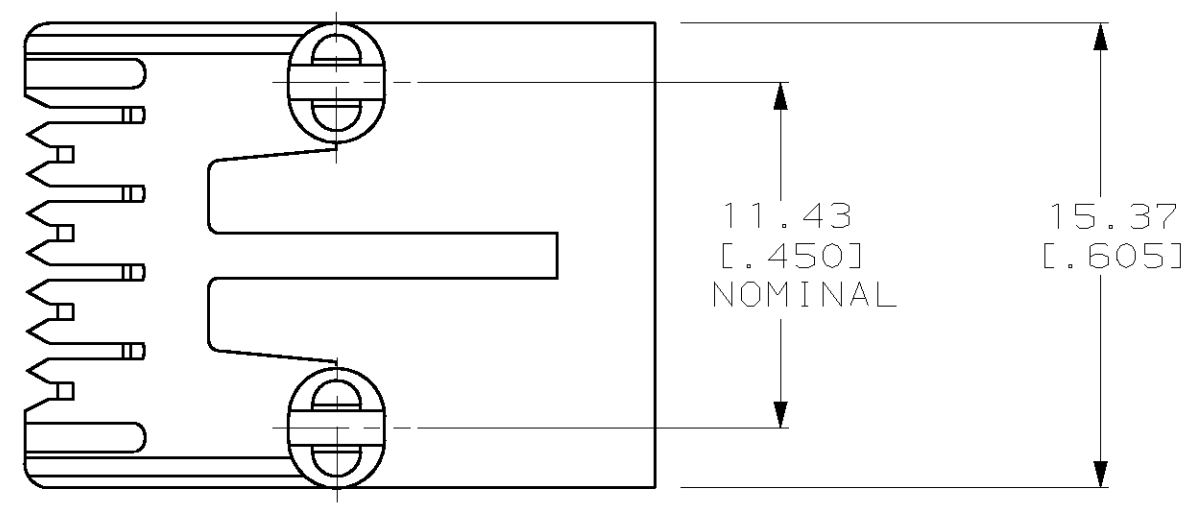


THIS DRAWING IS UNPUBLISHED. RELEASED FOR PUBLICATION .19  
 (C) COPYRIGHT 19 BY AMP INCORPORATED. ALL RIGHTS RESERVED.

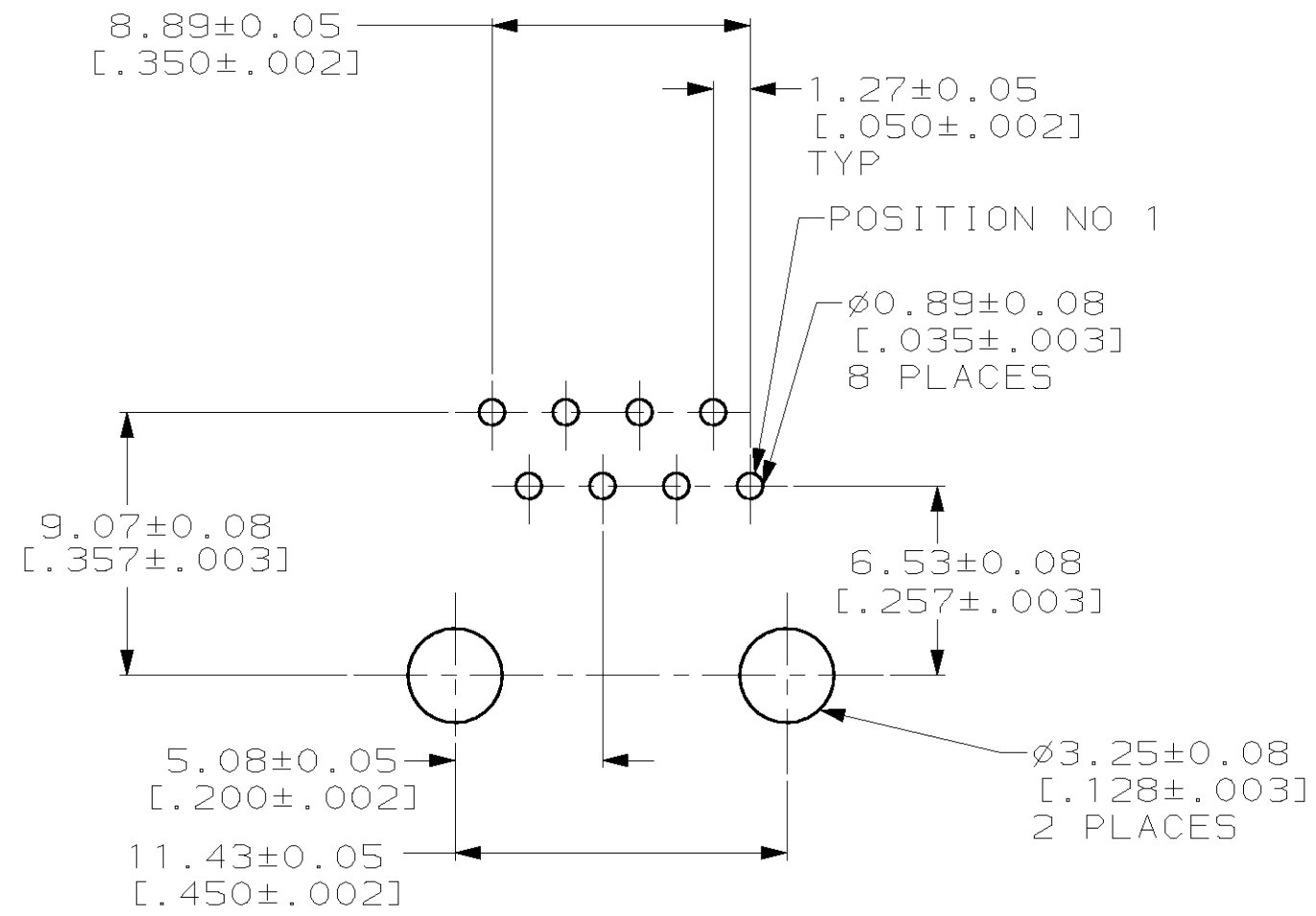
LOC		DIST		REVISIONS			
P	LTR	DESCRIPTION	DATE	DWN	APVD		
AA	22	P					
		P		REVISED PER EC 0UFO-0129-01	24SEP01	DLD	LLV



- ① MATERIAL: HOUSING - PBT POLYESTER. TERMINAL - 0.35 [0.0138] THICK PHOS-BRONZE PLATED WITH 1.27μm [0.00050] THICK HARD GOLD IN LOCALIZED GOLD PLATE AREA AND 2.03μm [0.00080] THICK TIN-LEAD IN SOLDER AREA OVER 1.27μm [0.00050] THICK NICKEL UNDERPLATE.
- ② CAVITY CONFORMS TO FCC RULES AND REGULATIONS PART 68, SUBPART F.
- 3. ALL DIMENSIONS SHOWN ARE MAXIMUM UNLESS OTHERWISE SPECIFIED.
- ④ BULK PACKAGED IN A TRAY.



SUGGESTED PANEL CUTOUT  
SCALE 2:1



SUGGESTED PRINTED CIRCUIT BOARD LAYOUT  
CIRCUIT SIDE

	2.41 [0.095]	BLACK	④	8	520426-8
SUPERSEDED BY 520426-8	3.05 [0.120]	BLACK	④	8	520426-7
	4.32 [0.170]	DEC GRAY	④	8	520426-6
	4.32 [0.170]	BLACK	④	8	520426-4
	DIM A	HSG COLOR	PACKAGED	CONTACTS	PART NUMBER

THIS DRAWING IS A CONTROLLED DOCUMENT FOR AMP INCORPORATED. IT IS SUBJECT TO CHANGE AND THE CONTROLLING ENGINEERING ORGANIZATION SHOULD BE CONTACTED FOR THE LATEST REVISION.		DWN	L. MUSTAR/UTA	8-3-95	AMP Incorporated Harrisburg, PA 17105-3608	
DIMENSIONS: mm [INCHES]		CHK	N. JONES	8-18-95		
TOLERANCES UNLESS OTHERWISE SPECIFIED:		APVD	E. LAURER	8-25-95		
0 PLC ±- 1 PLC ±- 2 PLC ±- 3 PLC ±- 4 PLC ±- ANGLES ±- FINISH ①		NAME	PRINTED CIRCUIT BOARD MODULAR JACK ASSEMBLY, SIDE ENTRY, 8 POSITION, FLANGELESS, WITHOUT PANEL STOPS.			
MATERIAL ①		PRODUCT SPEC	108-1163		SIZE	A2
		APPLICATION SPEC	114-2048		CAGE CODE	00779
		WEIGHT	-		DRAWING NO	C-520426
		CUSTOMER DRAWING			SCALE	4:1
					SHEET	1 OF 1
					REV	P

520426