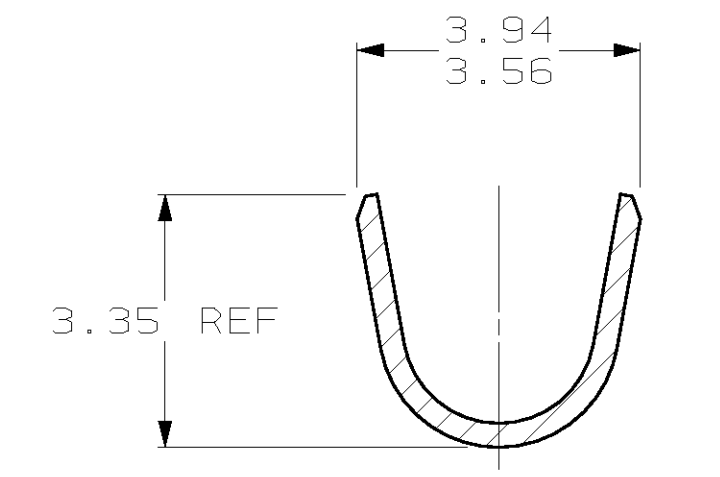
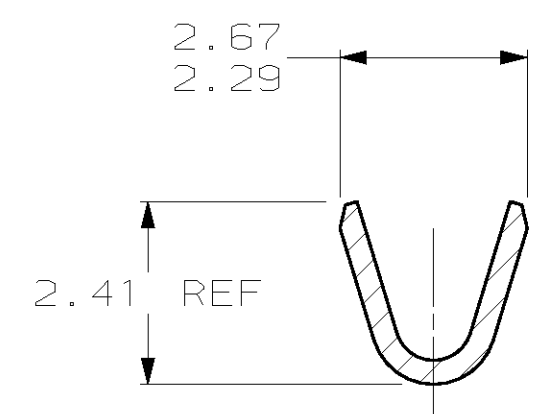
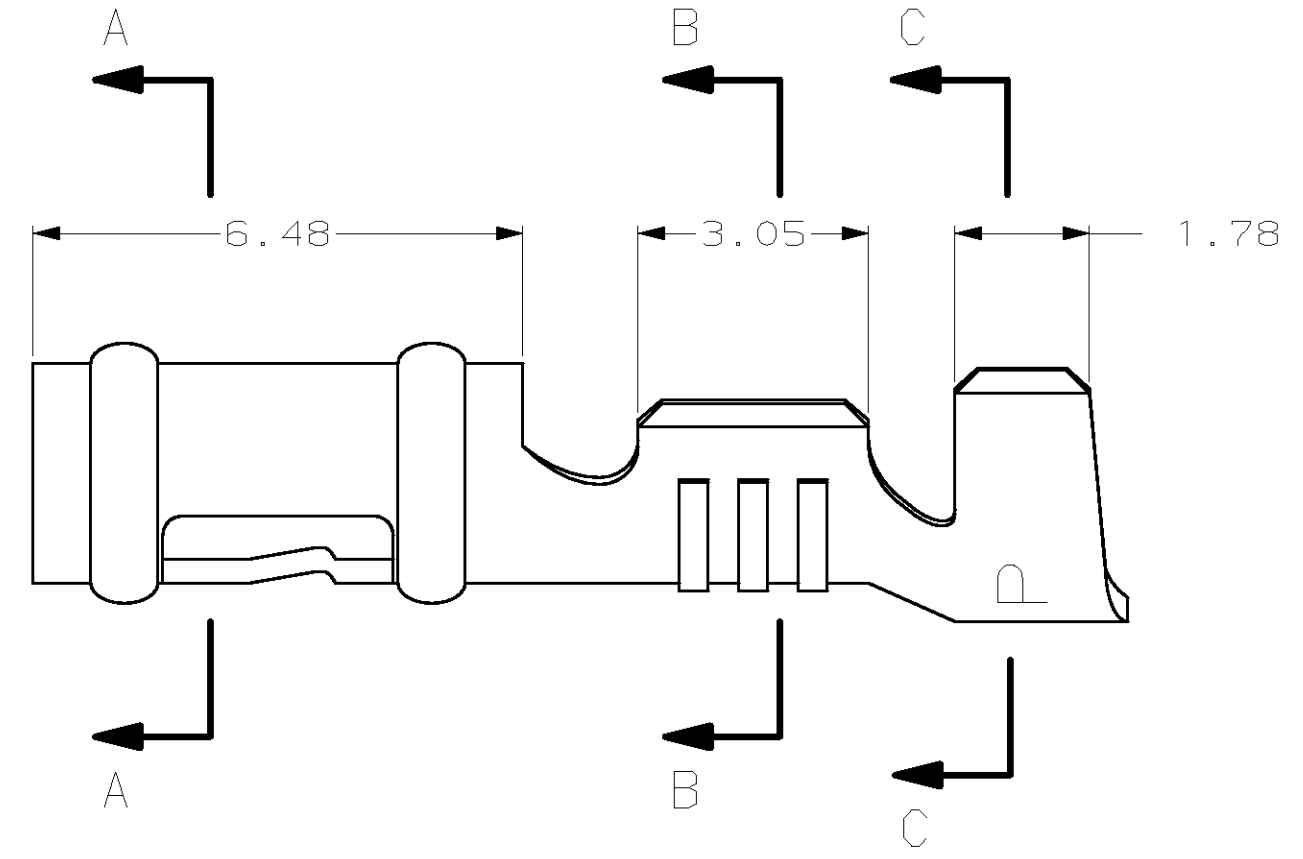
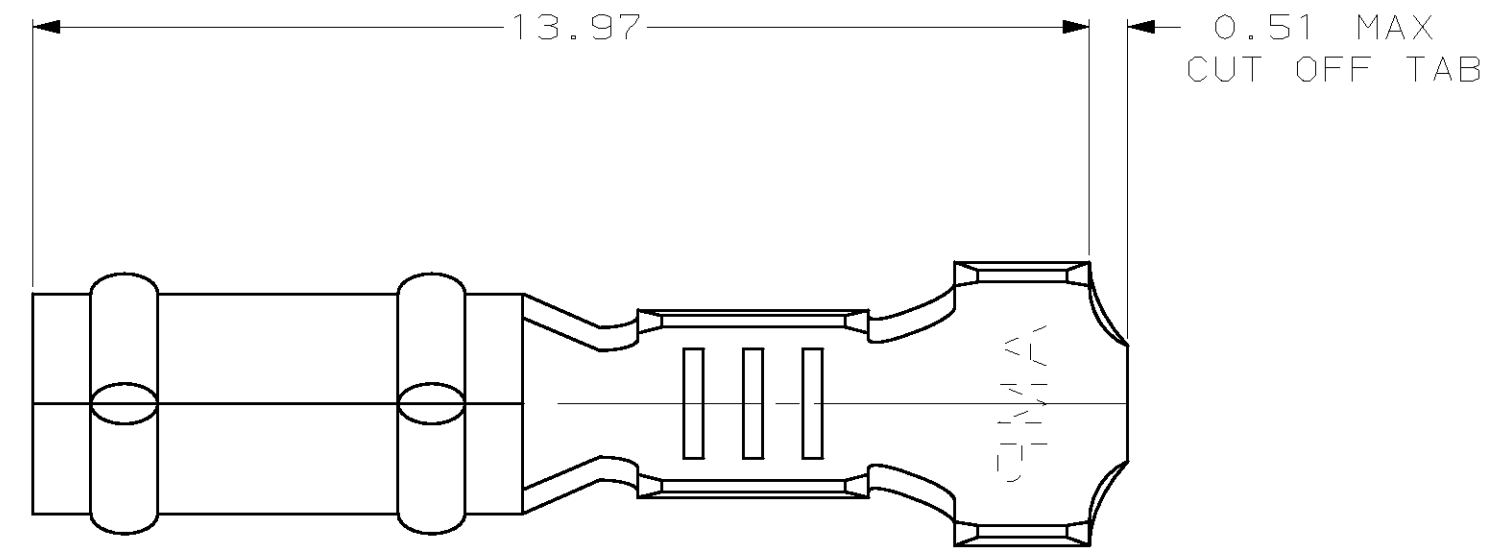


THIS DRAWING IS UNPUBLISHED. RELEASED FOR PUBLICATION  
 (C) COPYRIGHT 19 BY AMP INCORPORATED. ALL RIGHTS RESERVED.

LOC		DIST		REVISIONS			
P	LTR	DESCRIPTION	DATE	DWN	APVD		
CM	52	F	REV & REDRAWN PER EC 0L30-0164-97	6-16-97	TB	RS	

1. WIRE RANGE: 0.3 - 0.9 MM<sup>2</sup> (22 - 18 AWG)
2. INSULATION RANGE: 1.52 - 2.79



61260-1  
PART NUMBER

MM	IN	MM	IN	MM	IN	MM	IN
1.78	.070	2.79	.110	6.48	.255	-	-
1.52	.060	2.67	.105	3.94	.155	-	-
0.51	.020	2.41	.095	3.56	.140	-	-
0.32	.013	2.36	.093	3.35	.132	-	-
0.13	.005	2.29	.090	3.05	.120	13.97	.550
MM	IN	MM	IN	MM	IN	MM	IN

CONVERSION TABLE

**METRIC**

THIS DRAWING IS A CONTROLLED DOCUMENT.		DWN	T. BECK	6-16-97	AMP Incorporated Harrisburg, PA 17105-3608
DIMENSIONS:		CHK	R. SWING	6-16-97	
TOLERANCES UNLESS OTHERWISE SPECIFIED:		APVD	A. BEDDICK	8-22-97	
0 PLC ± 1 PLC ± 2 PLC ±0.13 3 PLC ± 4 PLC ± ANGLES ±		PRODUCT SPEC	108-1025		
MATERIAL		APPLICATION SPEC		114-1008	
0.32 PH BRZ		FINISH		PRE TIN	
CUSTOMER DRAWING		SCALE	10:1	SHEET	1 OF 1
SIZE		CAGE CODE	DRAWING NO		RESTRICTED TO
A2		00779	61260		-
REV		F			