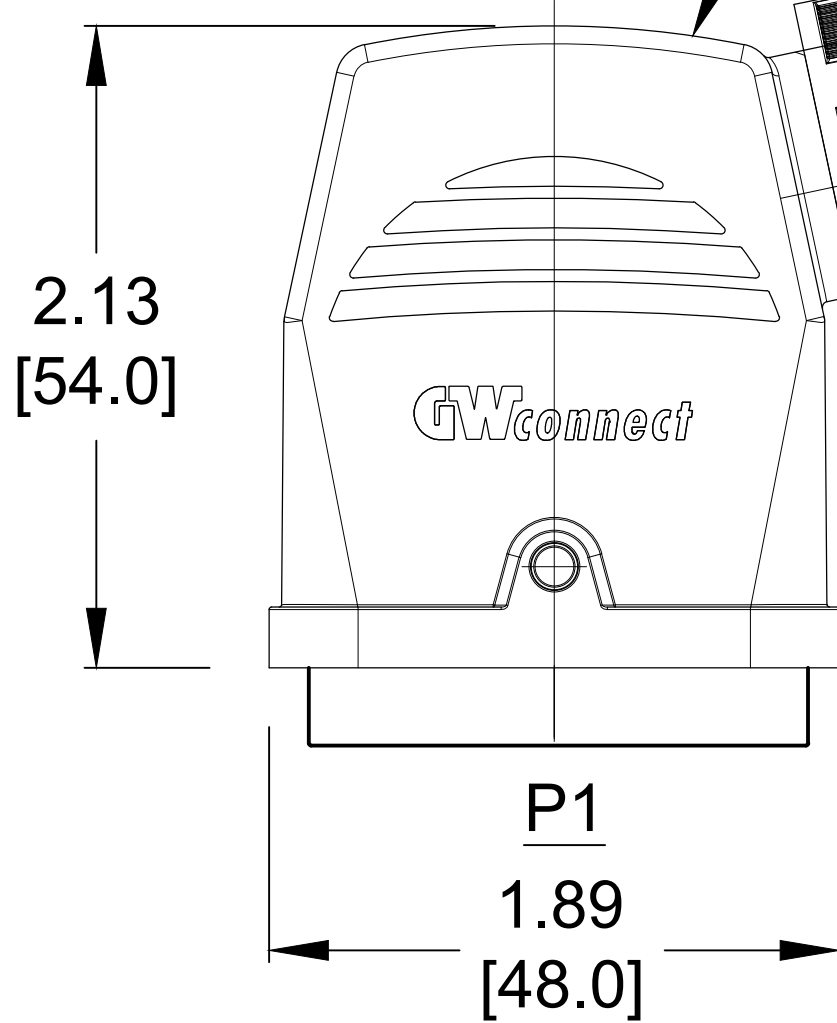
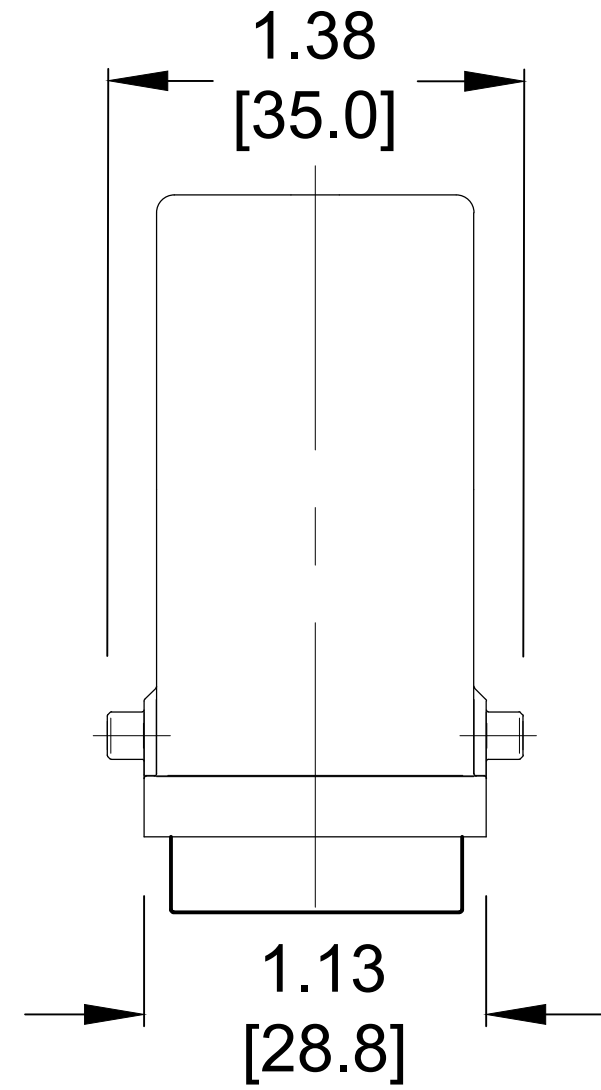


93599-0005-M020

LENGTH
M005 = 0.5 METER
M010 = 1.0 METER
M100 = 10.0 METER



1.00 REF.
[25.4]

LENGTH

0.50 REF.
[12.7]

0.18 REF.
[4.6]

2.25 REF.
[57.2]

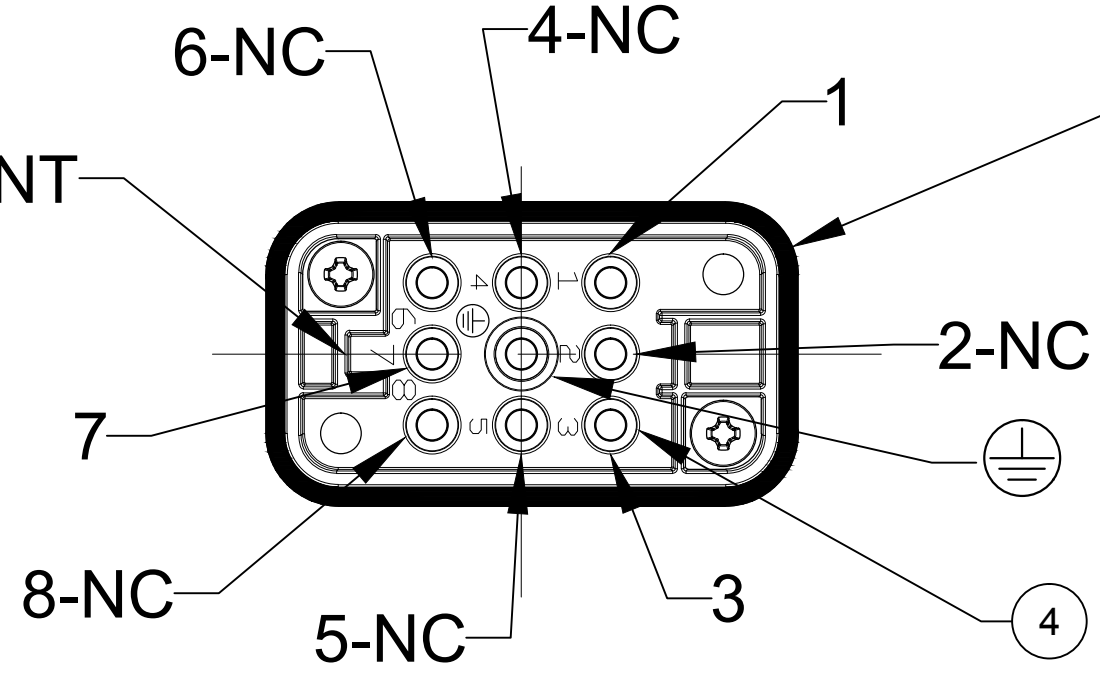
WARNING LABEL

WRAP LABEL

P1

- 1 BLACK #1
- 2
- 3 BLACK #3
- 4
- 5
- 6
- 7 BLACK #2
- 8
- ⊕ GREEN/YELLOW

ALIGNMENT KEY



MALE FACE VIEW

ELECTRICAL RATING
VOLTAGE: 600 VAC
CURRENT: 16 A

NOTE:
ALL DIMENSIONS REFERENCE
UNLESS OTHERWISE NOTED

ITEM	DESCRIPTION	MATERIAL	FINISH
6	WARNING LABEL	VINYL	ORANGE/BLACK
5	WRAP LABEL	VINYL	BLACK/YELLOW
4	CONTACT PIN	COPPER ALLOY	SILVER PLATED
3	INSERT, MALE	POLYCARBONATE	GRAY
2	HOOD W/ CABLE GLAND	POLYAMIDE	BLACK
1	CABLE #14/4	TPE JACKET	BLACK

CORRECT DIMS	EC NO: IFCG2017-0311	2016/10/26
	DRWN: KCOX01	2016/10/27
	CHKD: MZELINS	2016/10/27
	APPR: BWOODMAN	2016/09/08
	REV	DESCRIPTION

QUALITY SYMBOL	GENERAL TOLERANCES (UNLESS SPECIFIED)		DIMENSION STYLE INCH/MM		SCALE NTS	DESIGN UNITS METRIC	THIRD ANGLE PROJECTION	
	mm	INCH	DRAWN BY	DATE	TITLE			
▽=0	4 PLACES ±---	±---	KCOX01	2016/07/21	HDC MALE S-QD 8 4 CONDUCTOR 12:00 KEY #14 AWG TPE CABLE	MOLEX INCORPORATED		
∇=0	3 PLACES ±---	±---	CHECKED BY	DATE				
	2 PLACES ±---	±---	RSTONE	2016/07/21				
	1 PLACE ±---	±---	APPROVED BY	DATE	BWOODMAN	2016/09/08	DOCUMENT NO. SD-93599-002	SHEET NO. 1 OF 1
	ANGULAR ±---°		MATERIAL NO. SEE TABLE		THIS DRAWING CONTAINS INFORMATION THAT IS PROPRIETARY TO MOLEX INCORPORATED AND SHOULD NOT BE USED WITHOUT WRITTEN PERMISSION			