

ITEM	PART#	DESCRIPTION	QTY	UOM
A, B	22013067	100KKTermHsg W/LRamp W/PoR6Ckt 2695-06RP	2	PC
C	8500113	KK 100 Crp Term Std 22-30 Awg Tin	12	PC
D	--	PAPER PRINTED PAPER WHITE	1	PC

FROM	TO	DESCRIPTION	COLOR
A1	B6	1X22AWG DISC MPPE BK UL11028	BLACK
A2	B5	1X22AWG DISC MPPE BK UL11028	BLACK
A3	B4	1X22AWG DISC MPPE BK UL11028	BLACK
A4	B3	1X22AWG DISC MPPE BK UL11028	BLACK
A5	B2	1X22AWG DISC MPPE BK UL11028	BLACK
A6	B1	1X22AWG DISC MPPE BK UL11028	BLACK

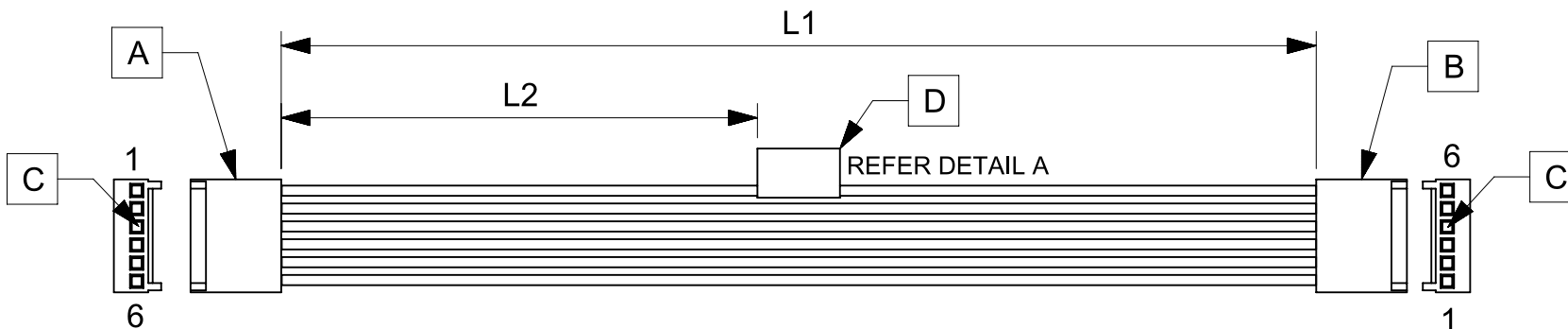


TABLE				
PART NUMBER	L1	L2	TITLE	
2177961061	150±8	63 REF	KK 2.54 SR R-R 6CKT 150MM DISC Sn	
2177961062	300±10	138 REF	KK 2.54 SR R-R 6CKT 300MM DISC Sn	
2177961063	600±10	288 REF	KK 2.54 SR R-R 6CKT 600MM DISC Sn	

NOTES

1. Cable assembly must pass 100% for continuity and polarity.
2. Connector view shown is from mating side.
3. Label text must be 2mm max. in height with Arial font.
4. Label must be wrapped in Flag type on a single cable.

MOLEX P/N
MOLEX
BATCH WK/YR
DETAIL A

REVISION			
DATE	REV	DESCRIPTION	CHANGER
11/01/2021	A	INITIAL RELEASE	ARAJU

FUNCTIONAL SYMBOLS $\frac{E}{A} = 0$ $\frac{E}{E} = 0$ $\frac{E}{P} = 0$ DIVISIONAL SYMBOLS	THIS DRAWING CONTAINS INFORMATION THAT IS PROPRIETARY TO MOLEX ELECTRONIC TECHNOLOGIES, LLC AND SHOULD NOT BE USED WITHOUT WRITTEN PERMISSION		CURRENT REV DESC:		
	DIMENSION UNITS	SCALE	GENERAL TOLERANCES (UNLESS SPECIFIED)		
	mm	NTS	ANGULAR TOL ± °		
	4 PLACES ±		3 PLACES ±		
3 PLACES ±		2 PLACES ±		EC NO: 652805	PRODUCT CUSTOMER DRAWING DOCUMENT NUMBER: 2177961061 DOC TYPE: PSD DOC PART: 000 REVISION: A
2 PLACES ±		1 PLACE ±		DRWN: ARAJU 2021/01/09	
1 PLACE ±		0 PLACES ±		CHK'D: RDESAI01 2021/01/11	SHEET NUMBER: 1 OF 1
0 PLACES ±		DRAFT WHERE APPLICABLE MUST REMAIN WITHIN DIMENSIONS		APPR: RDESAI01 2021/01/11	
THIRD ANGLE PROJECTION		DRAWING	SERIES	MATERIAL NUMBER	CUSTOMER
		A4-SIZE	217796	SEE TABLE	GENERAL MARKET

DOCUMENT STATUS	P1	RELEASE DATE	2021/01/11	10:46:54
-----------------	----	--------------	------------	----------