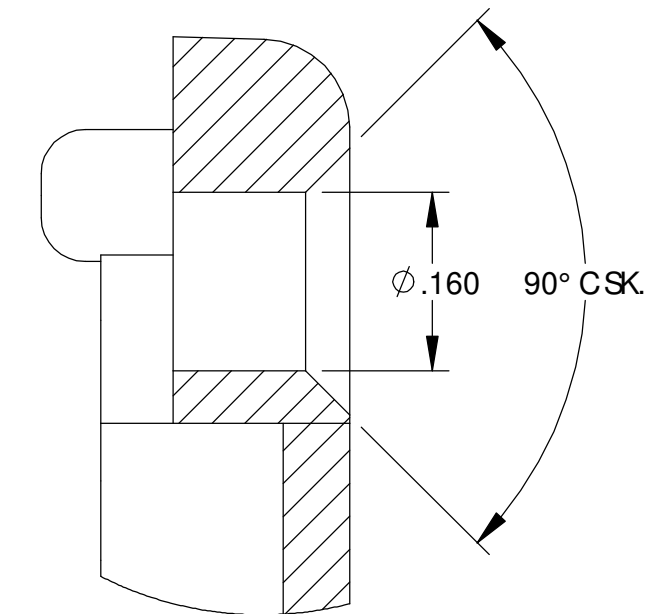
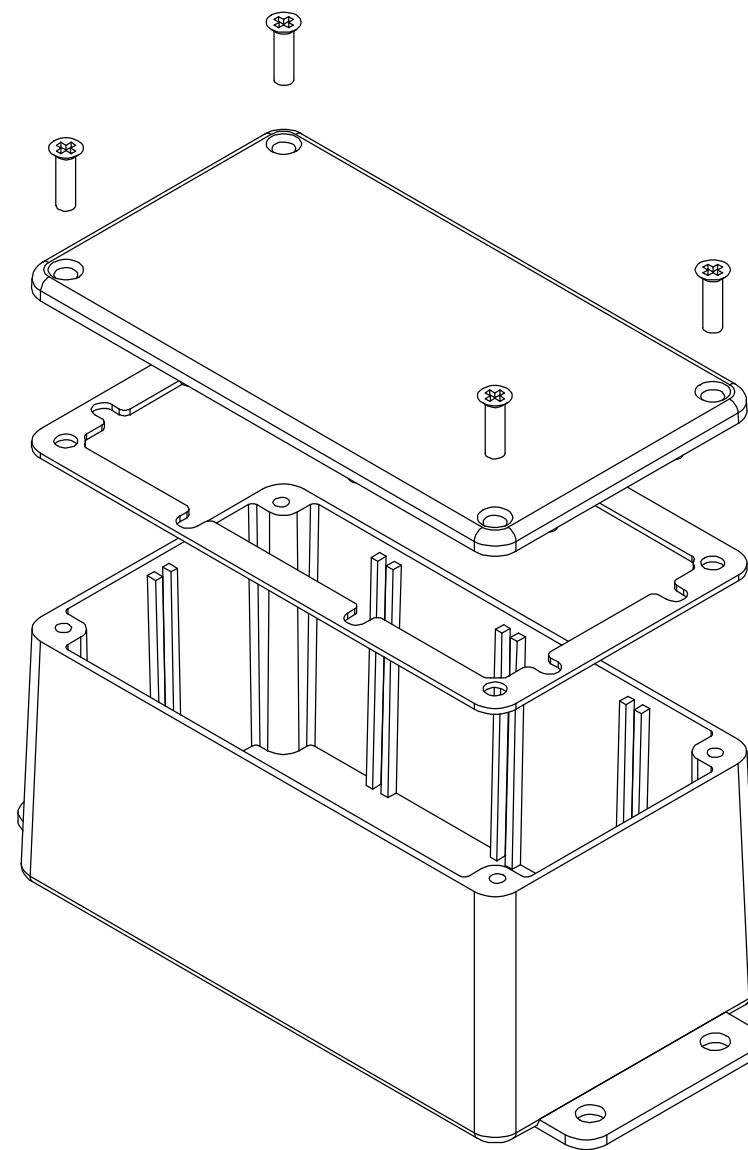


THE INFORMATION CONTAINED IN THIS DRAWING IS THE SOLE PROPERTY OF BUD INDUSTRIES INC. ANY REPRODUCTION IN PART OR WHOLE WITHOUT THE WRITTEN PERMISSION OF BUD INDUSTRIES INC. IS PROHIBITED.

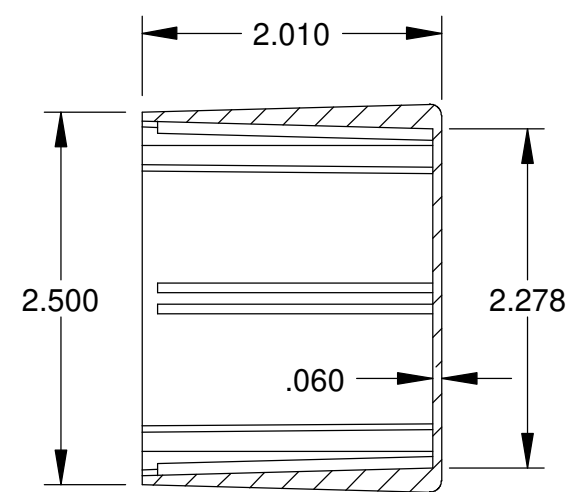
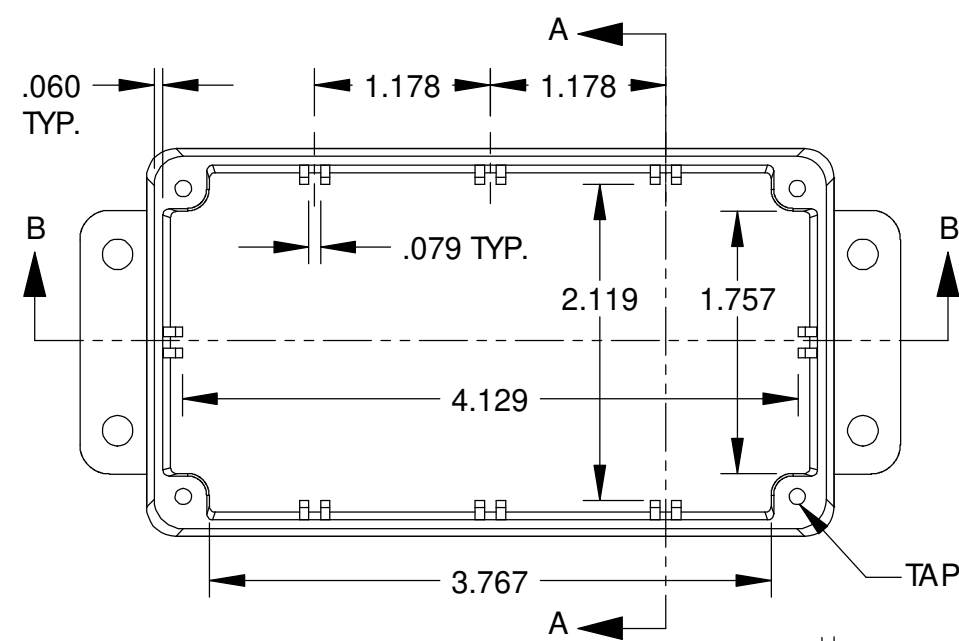
DWG. NO.	CN-6704
ISSUE	REVISIONS

MATERIAL - ALUMINUM ALLOY #ADC-12  
 FINISH - NATURAL (CONTACT BUD FACTORY FOR ALTERNATE FINISHES)  
 GASKET - RATED IP65 NEOPRENE, SELF-ADHESIVE, 3mm THICK, COLOR BLACK  
 SCREWS - STAINLESS STEEL, M3.5 x 12mm LG., C.S.K. HEAD, SELF-THREADING

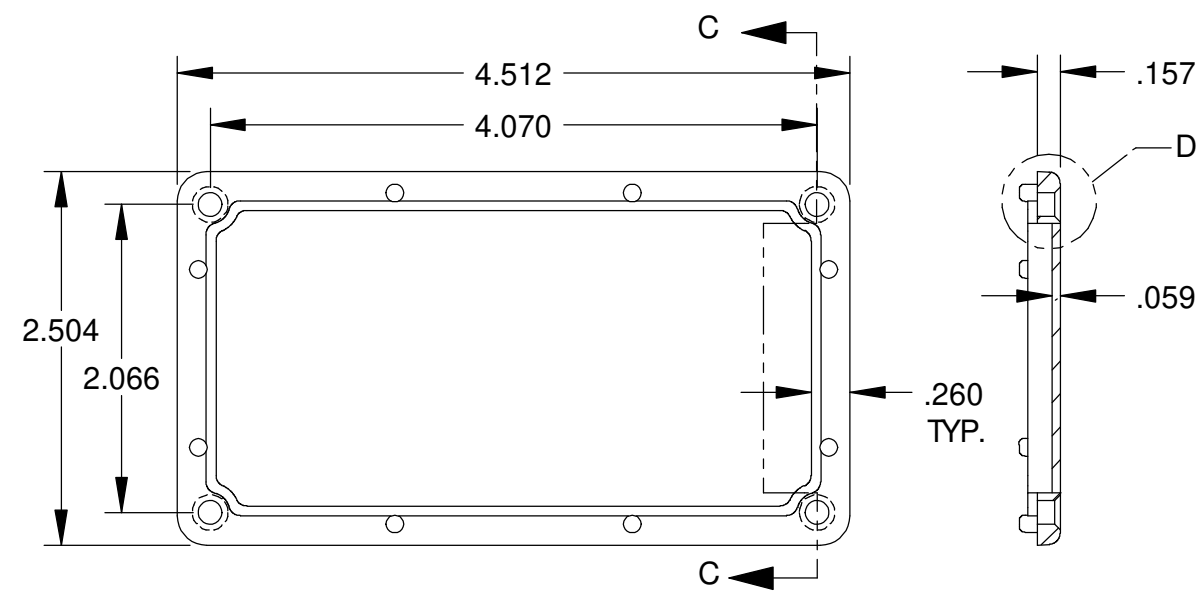
ALL HOLE DIAMETERS HAVE ±.005 TOLERANCE  
 ALL OTHER DIMENSIONS HAVE ±.015 TOLERANCE  
 ENCLOSURES ARE SHIPPED UNASSEMBLED WITH ALL ITEMS SHOWN.



DETAIL D  
SCALE 6 : 1

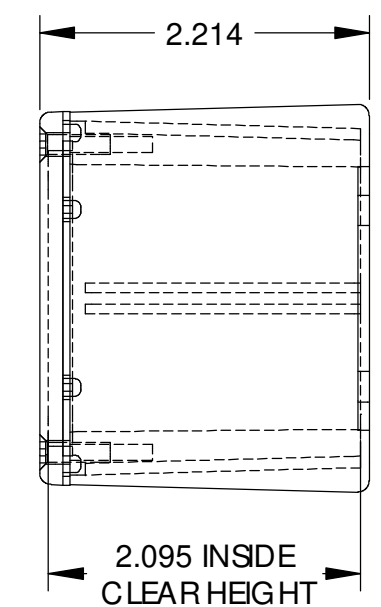


SECTION A-A

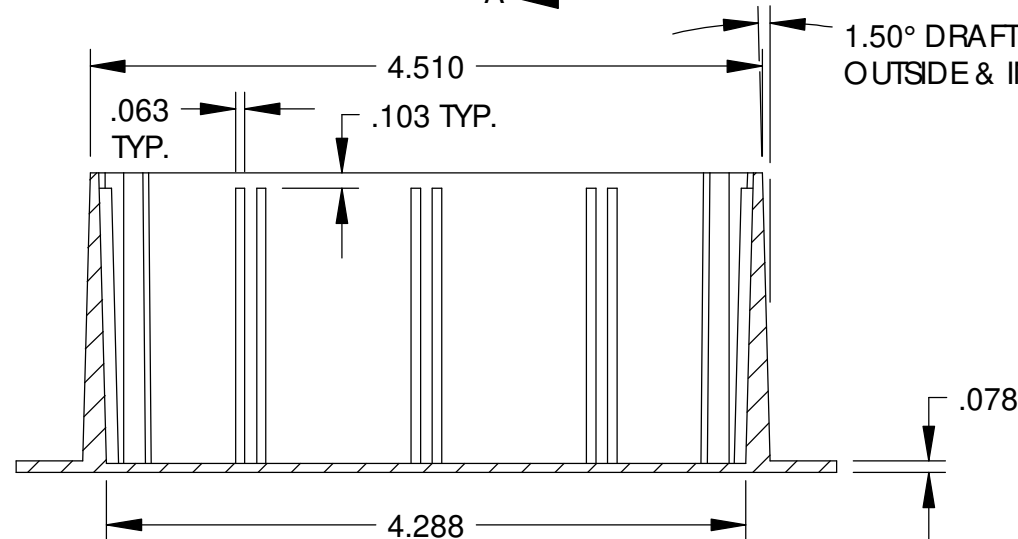


SECTION C-C

COVER

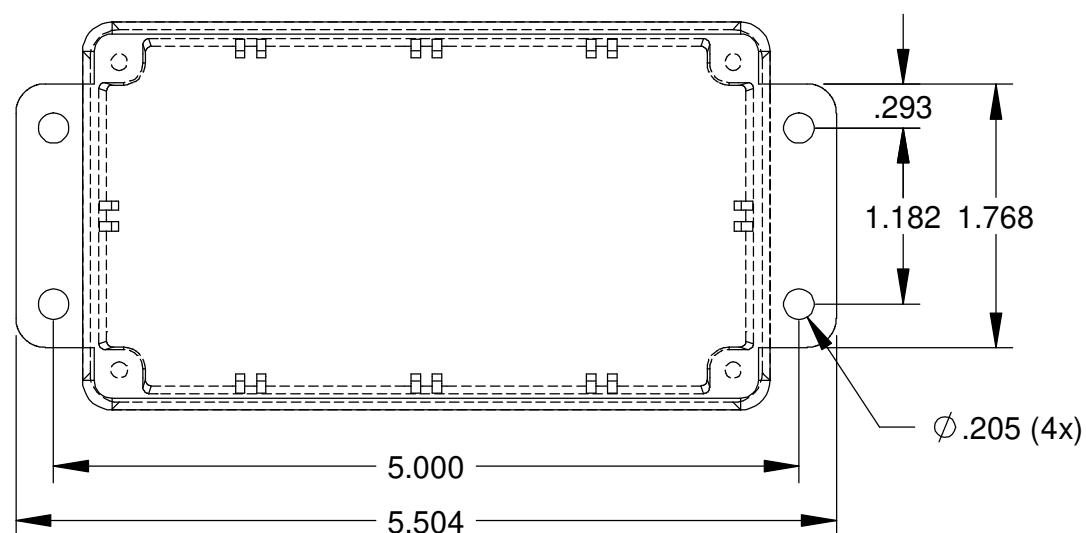


2.095 INSIDE CLEAR HEIGHT



SECTION B-B

BODY



PARTS LIST			
±.005 BETWEEN HOLE CENTERS	CAD GENERATED DRAWING, DO NOT MANUALLY UPDATE		
±.015 FROM SHEARED EDGE	DO NOT MANUALLY UPDATE		
±.032 FROM A BENT SURFACE	APPROVALS		
±.062 BETWEEN ASSEMBLED SURFACES	DRAWN	DATE	
UNLESS OTHERWISE SPECIFIED	DAB	4-3-06	
MATERIAL	CHECKED		
AS NOTED	APPROVED		
AS NOTED			
QTY.	USED ON	DO NOT SCALE DRAWING	

**BUD INDUSTRIES INC.**  
**DIE CAST ALUMINUM ENCLOSURE**

SIZE	DWG. NO.	REV.
C	CN-6704	
SCALE	CAD FILE	SHEET 1 OF 1